

CHAIN DRIVES





CHAIN DRIVES

		Page
	INTRODUCTION	1 ÷ 8
	CHAINS	9 ÷ 39
	SIMPLEX SPROCKETS DUPLEX SPROCKETS TRIPLEX SPROCKETS	41 ÷ 74
	SIMPLEX, DUPLEX AND TRIPLEX SPROCKETS FOR TAPER BUSHES SER-SIT®	75 ÷ 97
	SIMPLEX SPROCKETS WITH HARDENED AND FINISHED BORE	99 ÷ 111
	HARDENED SIMPLEX SPOCKETS AND PILOT BORE	113 ÷ 124
	SIMPLEX STAINLESS STEEL SPROCKETS	125 ÷ 131
	IDLER SPROCKETS	133 ÷ 135
	SIMPLEX PLATE WHEELS DUPLEX PLATE WHEELS TRIPLEX PLATE WHEELS	137 ÷ 170
	DESIGNATION	171

SIT - Chain Drives

SIT S.p.A. can provide a wide and complete range of sprockets and plate sprockets up to a 2-inch pitch according to the British Standard, with plain or finished bore and keyway. American Standard sprockets are available upon request.

The materials used in sprockets are high-quality carbon steels (in forged steel or with welded hub).

When conditions call for heavy duty use, we can provide hardened teeth sprockets. In corrosive operating conditions, stainless steel is recommended.

Special and custom sprockets according to customer's drawings are available on upon request.

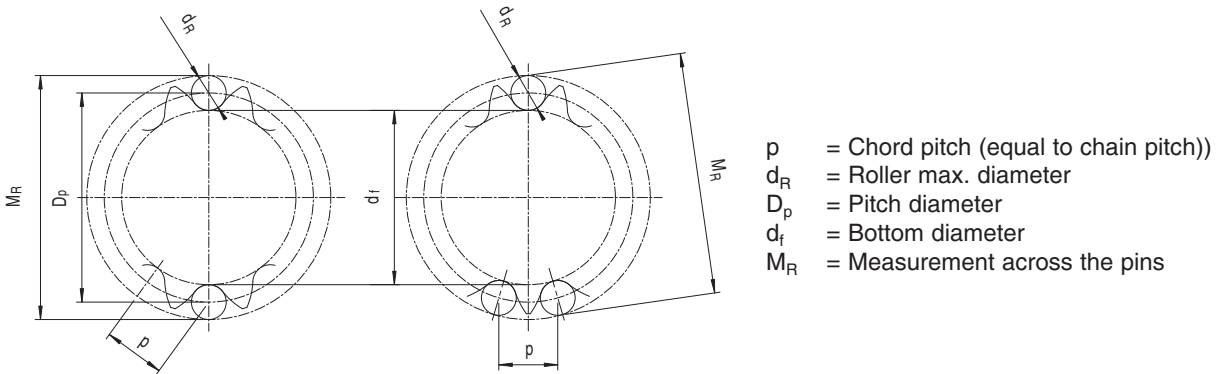
For specific projects, SIT S.p.A. manufactures customized products such as:

- Stainless steel sprockets
- Sprockets with "keyless" shaft-to-hub locking device system
- Compound sprockets with 2 or more pitches and/or different number of teeth
- Split sprockets, made in two parts
- Taper bushing sprockets
- Cast iron plate wheels



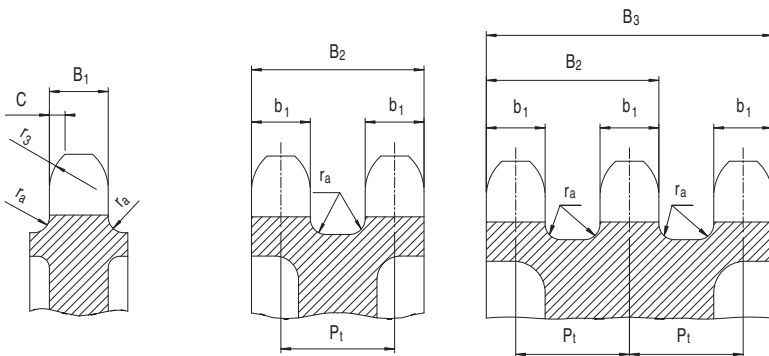
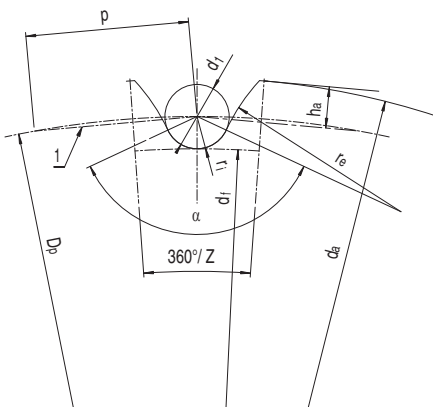
Reference Standards and metric sizes (ISO/R 606)

Sprocket nomenclature is represented by the following diagrams:



$$M_R = D_p + d_{R,min} \rightarrow \text{sprockets with even number of teeth}$$

$$M_R = D_p \cos\left(\frac{90^\circ}{Z}\right) + d_{R,min} \rightarrow \text{sprockets with odd number of teeth}$$



Pitch diameter

The sprocket pitch diameter D_p is the diameter of a circle drawn through centers of the rollers of a chain wrapped around the sprocket:

$$D_p = p \cdot \frac{1}{\sin\left(\frac{180^\circ}{Z}\right)}$$

Where:

p = chain pitch

Z = number of teeth

By knowing the chain pitch and the number of teeth, the following table allows for a rapid calculation of the sprocket diameter.

Number of Tooth Z	$\frac{1}{\sin\left(\frac{180^\circ}{Z}\right)}$	Number of Tooth Z	$\frac{1}{\sin\left(\frac{180^\circ}{Z}\right)}$	Number of Tooth Z	$\frac{1}{\sin\left(\frac{180^\circ}{Z}\right)}$	Number of Tooth Z	$\frac{1}{\sin\left(\frac{180^\circ}{Z}\right)}$
6	2,000	23	7,344	40	12,745	57	18,153
7	2,305	24	7,661	41	13,063	58	18,471
8	2,613	25	7,979	42	13,381	59	18,789
9	2,924	26	8,296	43	13,7	60	19,107
10	3,236	27	8,614	44	14,018	61	19,425
11	3,549	28	8,931	45	14,336	62	19,744
12	3,864	29	9,249	46	14,654	63	20,062
13	4,179	30	9,567	47	14,972	64	20,38
14	4,494	31	9,885	48	15,29	65	20,698
15	4,81	32	10,202	49	15,608	66	21,016
16	5,126	33	10,52	50	15,926	67	21,335
17	5,442	34	10,838	51	16,244	68	21,653
18	5,759	35	11,156	52	16,562	69	21,971
19	6,076	36	11,474	53	16,88	70	22,289
20	6,392	37	11,792	54	17,198	71	22,607
21	6,71	38	12,11	55	17,517	72	22,926
22	7,027	39	12,428	56	17,835	-	-

Outer diameter

The outer diameter is the diameter of the circle circumscribing the sprocket teeth. If the sprocket has an even number of teeth, this corresponds to the diameter which is measured from a tooth head to the diametrically opposite tooth head.

$$D_e = D_p + (0,6 \div 0,8) \cdot d_1$$

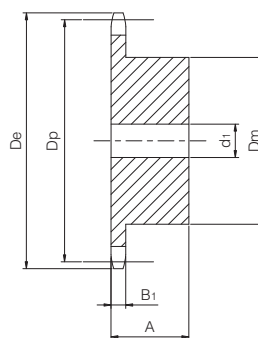
Tooth bottom diameter d_f

This is obtained by calculating the ratio:

$$d_f = D_p - d_1$$

with tolerances according to following table:

Tooth bottom diameter d_f [mm]	Tolerance [mm]
$d_f \leq 127$	0 - 0,25
$127 < d_f \leq 250$	0 - 0,30
$d_f > 250$	h11



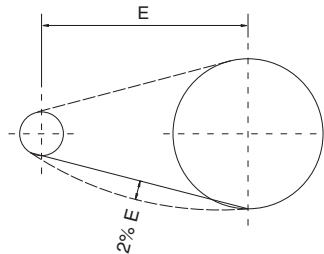
Thickness sprocket

$$B_1 = (0,9 \div 0,93) \cdot \text{Internal width chain}$$

Note: for the transmission selection chain please contact our Technical Office.

Installation of a transmission chain

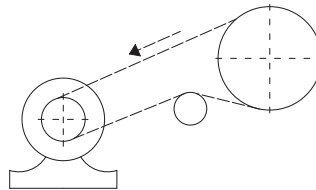
To optimize the sprocket life, the distance between the sprocket axes should be equal to a length between 30 and 50 times the chain pitch and, generally, the camber should not exceed 2% of the distance between centers. When assembling, consider the manufacturing tolerance on the chain (generally equal to +0,15%) and make sure that the smaller sprocket has at least 17 teeth.



If the chain drive is vertical, we suggest that the motor sprocket position be higher than that of the driven sprocket to keep the chain in tension.

If you want to place the motor sprocket in a lower position than the driven sprocket, we recommend that you use a chain tensioning system, because the chain must always be properly tensioned.

Generally, the tensioning system should be at a distance of at least six pitches from the sprocket and it must press toward the drive inner side, in order to reduce the overall dimensions and to increase the wrap angle.



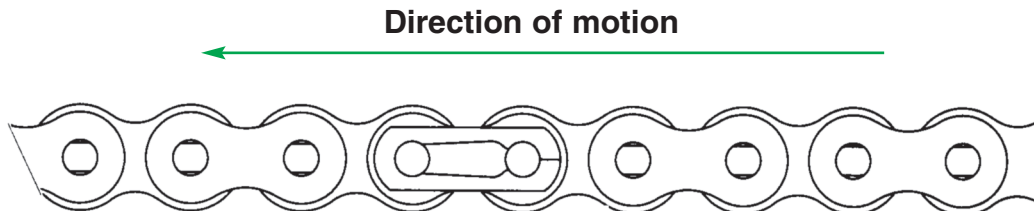
Consequences of wrong tensioning could be:

- Additional fatigue on components
- Faster wear
- Noisy running
- Lower performance
- Bearings overloaded

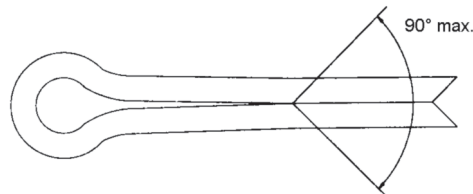
Chain assembly

To assemble a chain, wrap it around the teeth of the sprockets and connect both ends on one of the two sprockets. There are two types of connecting links:

- spring clip links: these connecting links are used with chains up to 1" pitch. The closed part of the spring clip must face the direction of motion.



- split pin links: put the split pin into the pin hole and open it to create an angle not greater than 90°. Do not reuse split pins after they have been removed.

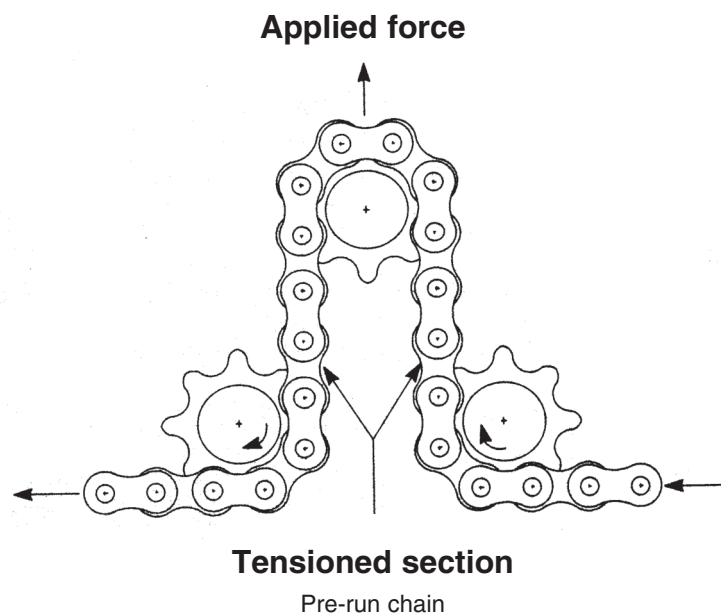


Pre-tensioning and pre-running

These two operations remove surface imperfections which are present between the bushings and pins in a new chain, thus removing imperfections and reducing the lengthening of the chain which occurs during the initial startup.

Pre-tensioning: this allows the chain to be tightened to near its yield point.

Pre-running: the chain passes through a number of rotation cycles in order to reach a tension near its yield strength.



Chain lubrication

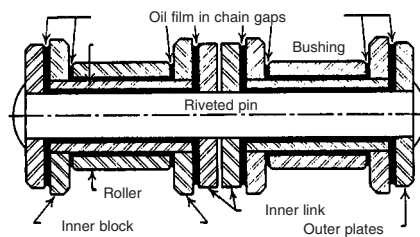
Lubrication is a fundamental procedure to ensure the normal life of a chain.

The key points for a proper and effective lubrication are the type of lubricant and the frequency of application. Theoretically, there should always be a layer of lubricant between the different chain surfaces.

In particular, lubrication acts:

- to reduce the coefficient of friction
- to prevent chain wear and to increase operation life
- to prevent corrosion
- to dissipate heat generated during operation
- to lubricate the contact surfaces between chain and sprocket

Ideally, for effective lubrication, the lubricant must go between pins, bushings, rollers and plates on the links, as shown in the picture below.



Choice of lubricant

For proper lubrication it is essential that components are always clean and free of impurities that may form during normal chain operation and which otherwise may build up between the lubrication layer and the contact surfaces, thus increasing the coefficient of friction.

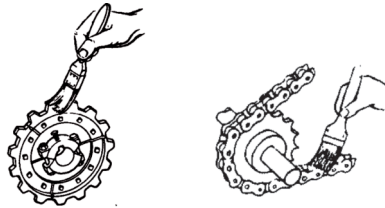
The lubricant to be used should have specific viscosity characteristics according to the operating temperature.

Lubrication methods

Various lubrication methods can be used for chain drives.

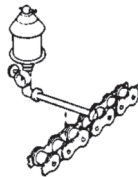
• Manual lubrication

The oil must go between the outer and the inner plate and between the bushing and the roller to reduce friction between the contact areas. Manual lubrication should be employed in very clean environments, because otherwise the dirt buildup compromises its effectiveness. In these cases we recommend abundant daily lubrication.



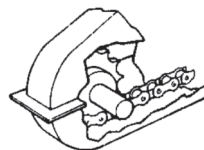
• Drip-feed lubrication

This is a continuous lubrication applied with a special device suitable for this kind of application.



• Oil bath lubrication

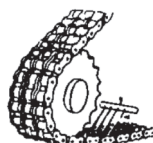
The lowest chain section runs in an oil bath and the minimum oil level should reach the center line of the chain link.



• Forced lubrication system

Forced lubrication system consists of an oil pump where the oil is forced under pressure through the lubricators placed over the chain for a very effective lubrication.

To achieve maximum lubrication result, lubricators should be placed near the mesh point of the lowest wheel. This is a very effective lubrication system for high operating speeds.



Problems and solutions

The table below provides some information about the most common problems with transmission chains. Please note that the main problems (lubrication, noise, re-tensioning) can be easily solved by replacing chains with timing belts which do not require maintenance.

Problem	Possible cause	Solution
Wear on one chain and/or sprocket side	1. Shafts are not parallel, sprockets are not aligned	1. Proper shaft alignment
Wear on a tooth head	1. Anomalous chain elongation 2. Tothing error	1. Replace chain 2. Replace sprockets
Wear on sprocket sides	1. Material with low yield strength	1. Change sprockets with new ones made of suitable material or with hardened teeth
Chain vibration	1. Sprocket eccentricity 2. Chain roller braking	1. Replace sprocket and check hole eccentricity 2. Replace worn components
Premature elongation	1. Insufficient lubrication or chain is undersized	1. Check proper selection and /or improve lubrication
Rust spots on the chain	1. Insufficient lubrication	1. Improve lubrication
Tooth jumping	1. Insufficient chain tension 2. Chain wear	1. Re-tension the chain, install a chain tensioning device 2. Replace the chain
Chain parts are broken	1. Overloaded transmission 2. Corrosion 3. Chain speed is too high 4. Contact with foreign objects during operation 5. Sprockets with wrong tothing 6. Insufficient lubrication 7. Insufficient chain tension	1. Check the selection of the chain 2. Avoid corrosive environments, use stainless steel components 3. Check the selection of the chain 4. Remove foreign objects and check for proper chain protection 5. Replace sprockets 6. Improve lubrication. 7. Check the chain tension
Excessive noise	1. Foreign objects in the transmission chain 2. Insufficient lubrication 3. Worn or missing rollers 4. High misalignment 5. Tooth jumping	1. Make sure that no foreign objects interfere with the transmission chain 2. Improve lubrication 3. Replace worn components 4. Align shaft and sprockets 5. Re-tension the transmission chain

Simplex, duplex and triplex chains
Special chains



CHAINS

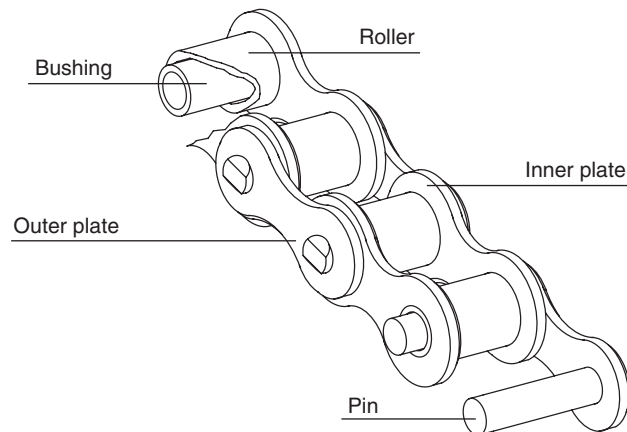
INDEX

CHAINS	Pag.
Chains	
Chain components	11
Roller Chains	
Transmission roller chains - British Standard DIN 8187 ISO/R	12
Transmission roller chains - American Standard ISO/R 606 - DIN 8188 ANSI B29.1	12 - 14
Transport Chains	
Types of transport chains	15 - 16
Non-standard metric pitch chains with solid pins + attachments	17 - 18
Non-standard metric pitch chains with hollow pins	19
Hollow pin chains - Profiled plates	20
Non-standard metric pitch chains with eccentric rollers	20
Curved conveyor chains	21
Conveyor chains BS 4116 in inch pitch with solid pins + attachments	22 - 23
Conveyor chains BS 4116 in inch pitch with hollow pins	24
Conveyor chains BS 4116 in inch pitch with eccentric rollers	25
Conveyor chains British Standard ISO 1977 - DIN 8167 with solid pins + attachments	26 - 27
Conveyor chains British Standard ISO 1977 - DIN 8167 with hollow pins	28
Conveyor chains British Standard ISO 1977 - DIN 8167 with eccentric rollers	29
Conveyor chains British Standard ISO 1977 - DIN 8167 with scraping plates	30
Conveyor chains Standard DIN 8165 with solid pins + attachments	31 - 32
Conveyor chains Standard DIN 8165 with hollow pins	33
Conveyor chains Standard DIN 8165 with eccentric rollers	34
Conveyor chains Standard DIN 8165 with scraping plates	35
Malleable cast iron chains for case conveyors	36
Conveyor chains for bricks and tiles	37
Conveyor steel chains for cases	37
Pressed steel chains for overhead conveyors - removable links	38
Trolleys of pressed steel for chains	39



Chain components

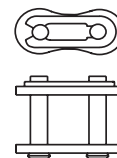
The roller chain is fabricated according to ISO/DIN/BS Standards and it consists of five components:



Connecting link with spring clip

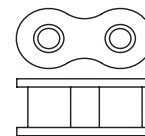
Available from 05B to 16B.

The standard closing plate has been designed for sliding assembly on pins. Positioning is provided by a flat steel spring clip with a split end to allow the installation in the pin side slots.



Inner links

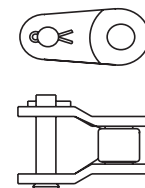
Standard links for all roller chain sizes. They are supplied fully assembled. The two bushings are pressed into the single joint plates. The inner links are used for single or multiple chains.



Offset link with one roller

Available for single, double and triple strand chains.

The flat milled surface on one pin end prevents plate rotation

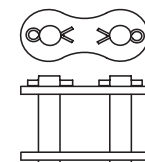


Connecting links with split pin

Available from 20B to 32B.

The closing plate can be pressed or made to slide on the pins.

Pressure joints are recommended for heavy duty. Pressure closing plates are standard in multiple chains used in the oil industry.



Chain packages

Length in meters (Standard):

- Box, 5 m
- Rollers, 25, 50 or 100 m

Cut sizes (upon request):

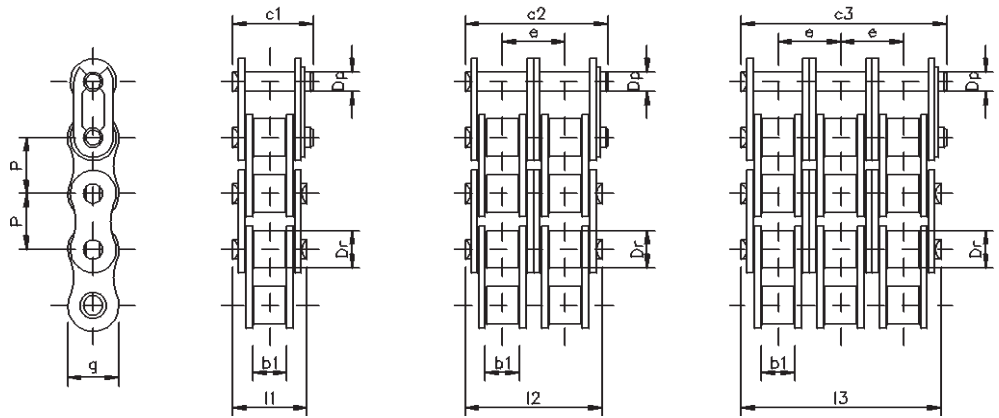
- Open
- Ready to be closed by connecting links
- Closed by connecting links
- Closed by rivets

TRANSMISSION ROLLER CHAIN

Transmission roller chain – British Standard DIN 8187 ISO/R 606

Available models:

- With flat profile plates (“C”-Type)
- Nickel-plated, Zinc-plated
- Stainless steel AISI 304



ISO Standard	Standard size	Pitch [mm] p	Inner width b1	Roller diameter Dr	Pin diameter Dp	Pin length l1-l2-l3	Pin length G. c1-c2-c3	g max	e	Min. ultimate strength [N]	Weight [kg/m]	
SIMPLEX	04 B1	6 x 2,8 mm	6,00	2,80	4,00	1,85	7,40	10,30	5,00	-	3.000	0,12
	05 B1	8 x 3 mm	8,00	3,00	5,00	2,31	8,60	11,70	7,10	-	5.000	0,18
	06 B1 *	3/8" x 7/32"	9,53	5,72	6,35	3,28	13,50	16,80	8,20	-	9.000	0,45
	081	1/2" x 1/8"	12,70	3,30	7,75	3,66	10,20	11,70	9,91	-	8.200	0,28
	082	1/2" x 3/32"	12,70	2,38	7,75	3,66	8,20	-	10,10	-	10.000	0,27
	083	1/2" x 3/16"	12,70	4,88	7,75	4,09	12,90	14,40	10,30	-	12.000	0,42
	084	1/2" x 3/16"	12,70	4,88	7,75	4,09	14,80	16,30	11,10	-	16.000	0,59
	08 B1	1/2" x 5/16"	12,70	7,75	8,51	4,45	17,00	20,90	11,80	-	18.000	0,70
	10 B1	5/8" x 3/8"	15,88	9,65	10,16	5,08	19,60	23,70	14,70	-	22.400	0,95
	12 B1	3/4" x 7/16"	19,05	11,68	12,07	5,72	22,70	27,30	16,10	-	29.000	1,25
	16 B1	1" x 17,02 mm	25,40	17,02	15,88	8,28	36,10	41,50	21,00	-	60.000	2,70
	20 B1	1"1/4 x 3/4"	31,75	19,56	19,05	10,19	43,20	49,30	26,40	-	95.000	3,60
	24 B1	1"1/2 x 1"	38,10	25,40	25,40	14,63	53,40	60,00	33,40	-	160.000	6,70
	28 B1	1"3/4 x 1"1/4	44,45	30,99	27,94	15,90	65,10	72,50	37,00	-	200.000	8,30
32 B1	2" x 1"1/4	50,80	30,99	29,21	17,81	67,40	75,30	42,20	-	250.000	10,50	
40 B1	2"1/2 x 1"1/2	63,50	38,10	39,37	22,89	82,60	92,60	52,90	-	355.000	16,00	
48 B1	3" x 1"3/4	76,20	45,72	48,26	29,24	99,10	109,10	63,80	-	560.000	25,00	
DUPLEX	06 B2 *	3/8" x 7/32"	9,53	5,72	6,35	3,28	23,80	27,10	8,20	10,24	16.000	0,78
	08 B2	1/2" x 5/16"	12,70	7,75	8,51	4,45	31,00	34,90	11,80	13,92	32.000	1,35
	10 B2	5/8" x 3/8"	15,88	9,65	10,16	5,08	36,20	40,30	14,70	16,59	40.000	1,80
	12 B2	3/4" x 7/16"	19,05	11,68	12,07	5,72	42,20	46,80	16,10	19,46	53.000	2,50
	16 B2	1" x 17,02 mm	25,40	17,02	15,88	8,28	68,00	73,40	21,00	31,88	106.000	5,40
	20 B2	1"1/4 x 3/4"	31,75	19,56	19,05	10,19	79,70	85,80	26,40	36,45	170.000	7,40
	24 B2	1"1/2 x 1"	38,10	25,40	25,40	14,63	101,80	108,40	33,40	48,36	280.000	13,75
	28 B2	1"3/4 x 1"1/4	44,45	30,99	27,94	15,90	124,70	132,10	37,00	59,56	360.000	17,30
	32 B2	2" x 1"1/4	50,80	30,99	29,21	17,81	126,00	133,90	42,20	58,55	450.000	19,00
	40 B2	2"1/2 x 1"1/2	63,50	38,10	39,37	22,89	154,90	164,90	52,90	72,29	630.000	30,00
48 B2	3" x 1"3/4	76,20	45,72	48,26	29,24	190,00	200,00	63,80	91,21	1.000.000	48,60	
TRIPLEX	06 B3 *	3/8" x 7/32"	9,53	5,72	6,35	3,28	34,00	37,30	8,20	10,24	23.600	1,18
	08 B3	1/2" x 5/16"	12,70	7,75	8,51	4,45	44,90	47,80	11,80	13,92	47.500	2,00
	10 B3	5/8" x 3/8"	15,88	9,65	10,16	5,08	52,80	56,90	14,70	16,59	60.000	2,80
	12 B3	3/4" x 7/16"	19,05	11,68	12,07	5,72	61,70	66,30	16,10	19,46	80.000	3,80
	16 B3	1" x 17,02 mm	25,40	17,02	15,88	8,28	99,90	105,30	21,00	31,88	160.000	8,20
	20 B3	1"1/4 x 3/4"	31,75	19,56	19,05	10,19	116,00	122,10	26,40	36,45	250.000	11,80
	24 B3	1"1/2 x 1"	38,10	25,40	25,40	14,63	150,00	156,60	33,40	48,36	425.000	21,00
	28 B3	1"3/4 x 1"1/4	44,45	30,99	27,94	15,90	184,30	191,70	37,00	59,56	530.000	25,75
	32 B3	2" x 1"1/4	50,80	30,99	29,21	17,81	184,50	192,40	42,20	58,55	670.000	27,85
	40 B3	2"1/2 x 1"1/2	63,50	38,10	39,37	22,89	227,00	237,00	52,90	72,29	950.000	44,80
48 B3	3" x 1"3/4	76,20	45,72	48,26	29,24	281,60	291,60	63,80	91,21	1.500.000	72,50	

* = Available only with flat profile plates (“C”-Type)

Transmission roller chains - American Standard

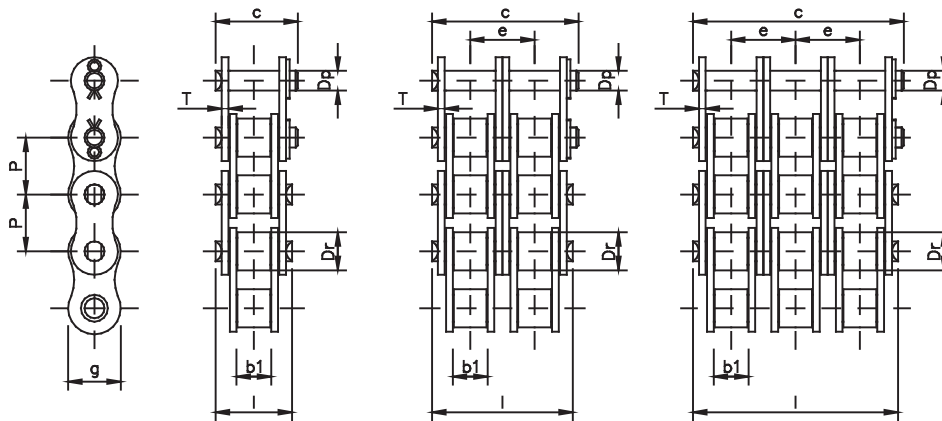
ISO R/606 – DIN 8188 - ANSI B29.1

The chains from series ANSI 25 to ANSI 50 are only available in riveted model; from series ANSI 60 onwards they are available also with split pin, upon request.

Available models:

- With flat profile plates ("C"-Type)
- Nickel-plated, Zinc-plated
- Stainless steel AISI 304

All transmission roller chains, both British and American Standards, can be supplied, upon request, with vertical attachments, square attachments, with one or two holes and with projecting pins.



ANSI Standard	Standard size	Pitch [mm] p	Inner width b1	Roller diameter Dr	Pin diameter Dp	Pin length l	Pin length G. c	g max	Plate thickness T	e	Average ultimate strength [N]	Weight [kg/m]
25	1/4" x 1/8"	6,35	3,18	3,30 *	2,29	8,64	9,40		0,76	-	3.892	0,13
25-2	1/4" x 1/8" duplex	6,35	3,18	3,30 *	2,29	14,99	16,00		0,76	6,40	7.784	0,24
25-3	1/4" x 1/8" triplex	6,35	3,18	3,30 *	2,29	21,34	22,35		0,76	6,40	11.677	0,37
35	3/8" x 3/16"	9,53	4,76	5,08*	3,58	12,70	14,22	8,60	1,27	-	9.341	0,31
35-2	3/8" x 3/16" duplex	9,53	4,76	5,08*	3,58	22,86	24,38	8,60	1,27	10,14	18.683	0,67
35-3	3/8" x 3/16" triplex	9,53	4,76	5,08*	3,58	33,27	34,54	8,60	1,27	10,14	28.024	1,01
35-4	3/8" x 3/16" quad.	9,53	4,76	5,08*	3,58	43,18	44,70	8,60	1,27	10,14	37.365	1,35
35-5	3/8" x 3/16" quint.	9,53	4,76	5,08*	3,58	53,59	54,86	8,60	1,27	10,14	46.706	1,70
35-6	3/8" x 3/16" sext.	9,53	4,76	5,08*	3,58	63,75	65,28	8,60	1,27	10,14	56.048	2,04
40	1/2" x 5/16"	12,70	7,94	7,93	3,96	17,02	18,29	11,40	1,52	-	17.792	0,61
40-2	1/2" x 5/16" duplex	12,70	7,94	7,93	3,96	31,50	32,77	11,40	1,52	14,38	35.584	1,19
40-3	1/2" x 5/16" triplex	12,70	7,94	7,93	3,96	45,72	46,99	11,40	1,52	14,38	53.376	1,79
40-4	1/2" x 5/16" quad.	12,70	7,94	7,93	3,96	60,20	61,46	11,40	1,52	14,38	71.168	2,38
40-6	1/2" x 5/16" sext.	12,70	7,94	7,93	3,96	89,15	90,42	11,40	1,52	14,38	106.752	3,60
41	1/2" x 1/4"	12,70	6,35	7,77	3,58	14,48	16,51	9,70	1,27	-	10.675	0,39
50	5/8" x 3/8"	15,88	9,53	10,16	5,08	21,08	22,61	15,00	2,03	-	29.356	1,01
50-2	5/8" x 3/8" duplex	15,88	9,53	10,16	5,08	39,37	40,64	15,00	2,03	18,11	58.713	1,96
50-3	5/8" x 3/8" triplex	15,88	9,53	10,16	5,08	57,40	58,67	15,00	2,03	18,11	88.070	2,95
50-4	5/8" x 3/8" quad.	15,88	9,53	10,16	5,08	75,44	76,96	15,00	2,03	18,11	117.427	3,93
50-5	5/8" x 3/8" quint.	15,88	9,53	10,16	5,08	93,73	95,25	15,00	2,03	18,11	146.784	4,91
50-6	5/8" x 3/8" sext.	15,88	9,53	10,16	5,08	111,76	113,28	15,00	2,03	18,11	176.141	5,89
50-8	5/8" x 3/8" octuple	15,88	9,53	10,16	5,08	148,08	149,61	15,00	2,03	18,11	234.854	7,89
50-10	5/8" x 3/8" tenf.	15,88	9,53	10,16	5,08	184,40	185,93	15,00	2,03	18,11	293.568	9,85
60	3/4" x 1/2"	19,05	12,70	11,91	5,94	26,42	28,19	18,00	2,39	-	37.808	1,47
60-2	3/4" x 1/2" duplex	19,05	12,70	11,91	5,94	49,28	51,05	18,00	2,39	22,78	75.616	2,90
60-3	3/4" x 1/2" triplex	19,05	12,70	11,91	5,94	72,14	73,91	18,00	2,39	22,78	113.424	4,29
60-4	3/4" x 1/2" quad.	19,05	12,70	11,91	5,94	95,00	96,77	18,00	2,39	22,78	151.232	5,80
60-5	3/4" x 1/2" quint.	19,05	12,70	11,91	5,94	117,86	119,63	18,00	2,39	22,78	189.040	7,39
60-6	3/4" x 1/2" sext.	19,05	12,70	11,91	5,94	140,46	142,24	18,00	2,39	22,78	226.848	8,88
60-8	3/4" x 1/2" octuple	19,05	12,70	11,91	5,94	186,18	187,96	18,00	2,39	22,78	302.464	11,81
60-10	3/4" x 1/2" tenf.	19,05	12,70	11,91	5,94	231,65	233,43	18,00	2,39	22,78	378.080	14,76

* = Bushing diameter (chain without roller)

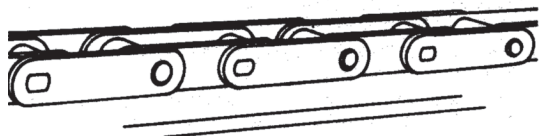
Follows ...

ANSI Standard	Standard size	Pitch [mm] p	Inner width b1	Roller diameter Dr	Pin diameter Dp	Pin length l	Pin length G. c	g max	Plate thickness T	e	Average ultimate strength [N]	Weight [kg/m]
80	1" x 5/8"	25,40	15,88	15,88	7,93	33,53	36,58	23,10	3,18	-	64.446	2,57
80-2	1" x 5/8" duplex	25,40	15,88	15,88	7,93	62,74	65,79	23,10	3,18	29,29	128.992	5,04
80-3	1" x 5/8" triplex	25,40	15,88	15,88	7,93	91,95	95,00	23,10	3,18	29,29	193.488	7,47
80-4	1" x 5/8" quadruple	25,40	15,88	15,88	7,93	121,67	124,46	23,10	3,18	29,29	257.984	10,01
80-5	1" x 5/8" quintuple	25,40	15,88	15,88	7,93	150,88	153,92	23,10	3,18	29,29	322.480	12,50
80-6	1" x 5/8" sextuple	25,40	15,88	15,88	7,93	180,34	183,39	23,10	3,18	29,29	386.976	14,98
80-8	1" x 5/8" octuple	25,40	15,88	15,88	7,93	238,76	242,06	23,10	3,18	29,29	515.968	19,95
100	1"1/4 x 3/4"	31,75	19,05	19,05	9,53	40,89	43,94	28,70	3,96	-	106.752	3,73
100-2	1"1/4 x 3/4" duplex	31,75	19,05	19,05	9,53	76,71	79,76	28,70	3,96	35,76	213.504	7,31
100-3	1"1/4 x 3/4" triplex	31,75	19,05	19,05	9,53	112,52	115,82	28,70	3,96	35,76	320.256	11,01
100-4	1"1/4 x 3/4" quadruple	31,75	19,05	19,05	9,53	148,34	151,64	28,70	3,96	35,76	427.008	14,58
100-5	1"1/4 x 3/4" quintuple	31,75	19,05	19,05	9,53	184,15	187,45	28,70	3,96	35,76	533.760	18,15
100-6	1"1/4 x 3/4" sextuple	31,75	19,05	19,05	9,53	219,96	223,01	28,70	3,96	35,76	640.512	21,72
100-8	1"1/4 x 3/4" octuple	31,75	19,05	19,05	9,53	291,59	294,64	28,70	3,96	35,76	854.016	28,87
120	1" 1/2 x 1"	38,10	25,40	22,23	11,10	50,80	54,36	35,10	4,75	-	151.232	5,49
120-2	1" 1/2 x 1" duplex	38,10	25,40	22,23	11,10	96,27	99,82	35,10	4,75	45,44	302.464	10,94
120-3	1" 1/2 x 1" triplex	38,10	25,40	22,23	11,10	141,73	145,29	35,10	4,75	45,44	453.696	16,52
120-4	1" 1/2 x 1" quadruple	38,10	25,40	22,23	11,10	187,45	191,01	35,10	4,75	45,44	604.928	21,87
120-5	1" 1/2 x 1" quintuple	38,10	25,40	22,23	11,10	232,92	236,47	35,10	4,75	45,44	756.160	27,42
120-6	1" 1/2 x 1" sextuple	38,10	25,40	22,23	11,10	278,38	281,94	35,10	4,75	45,44	907.392	32,90
120-8	1" 1/2 x 1" octuple	38,10	25,40	22,23	11,10	369,32	372,87	35,10	4,75	45,44	1.209.856	43,85
120-10	1" 1/2 x 1" tenf.	38,10	25,40	22,23	11,10	460,25	463,80	35,10	4,75	45,44	1.512.320	54,80
140	1" 3/4 x 1"	44,45	25,40	25,40	12,70	54,36	58,67	39,60	5,56	-	204.608	7,44
140-2	1" 3/4 x 1" duplex	44,45	25,40	25,40	12,70	103,38	107,70	39,60	5,56	48,87	409.216	14,36
140-3	1" 3/4 x 1" triplex	44,45	25,40	25,40	12,70	152,40	156,46	39,60	5,56	48,87	613.824	21,28
140-4	1" 3/4 x 1" quadruple	44,45	25,40	25,40	12,70	201,42	205,49	39,60	5,56	48,87	818.432	28,20
140-6	1" 3/4 x 1" sextuple	44,45	25,40	25,40	12,70	299,21	303,28	39,60	5,56	48,87	1.227.648	42,03
160	2" x 1" 1/4	50,80	31,75	28,58	14,28	64,52	69,34	46,00	6,35	-	257.984	9,72
160-2	2" x 1" 1/4 duplex	50,80	31,75	28,58	14,28	123,19	128,02	46,00	6,35	58,55	515.968	19,09
160-3	2" x 1" 1/4 triplex	50,80	31,75	28,58	14,28	181,86	186,69	46,00	6,35	58,55	773.952	28,31
160-4	2" x 1" 1/4 quadruple	50,80	31,75	28,58	14,28	240,54	245,36	46,00	6,35	58,55	1.031.936	38,09
160-6	2" x 1" 1/4 sextuple	50,80	31,75	28,58	14,28	357,89	362,46	46,00	6,35	58,55	1.547.904	56,21
200	2" 1/2 x 1" 1/2	63,50	38,10	39,68	19,84	79,25	87,38	58,70	7,93	-	422.560	15,85
200-2	2" 1/2 x 1" 1/2 duplex	63,50	38,10	39,68	19,84	150,88	159,00	58,70	7,93	71,55	845.120	31,99
200-3	2" 1/2 x 1" 1/2 triplex	63,50	38,10	39,68	19,84	222,50	230,63	58,70	7,93	71,55	1.267.680	48,06
200-4	2" 1/2 x 1" 1/2 quadr.	63,50	38,10	39,68	19,84	294,13	302,26	58,70	7,93	71,55	1.690.240	63,83
200-6	2" 1/2 x 1" 1/2 sextuple	63,50	38,10	39,68	19,84	437,13	445,01	58,70	7,93	71,55	2.525.360	95,97

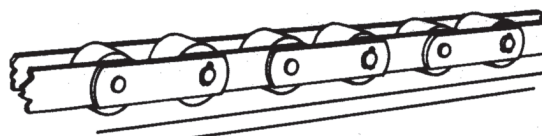
TRANSPORT CHAINS

Types of transport chains

Chains with sliding plates



Roller Chains



Advantages:

- Easier to manufacture
- Cheaper solution with same load strength
- More effective in dirty environments

Disadvantages:

- Movement requires more power

Advantages (due to lower friction):

- Larger distances between centers
- Lower power is required
- Less operating costs

Disadvantages:

- Not suitable in dirty environments because rollers may become blocked

Types of attachments

Transport chains can be equipped with special attachments, such as links with plates, pushers, protruding pins to support or to drag the material.

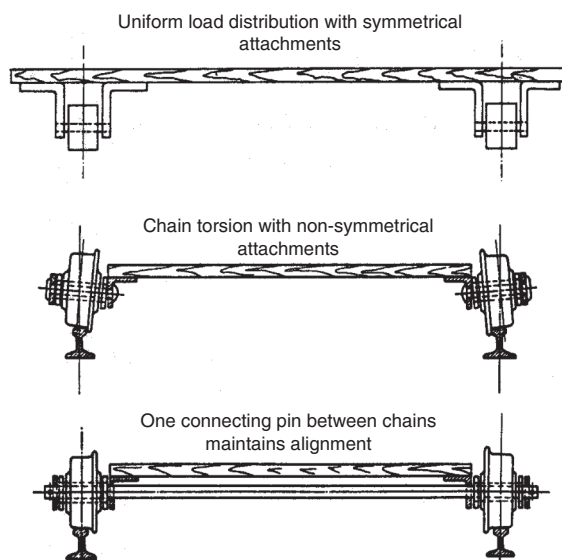
Two types available:

Symmetrical attachments (K o M):

- Uniformly distributed load on the chain
- Good alignment
- Suitable for very heavy loads or for non-symmetrical load distribution

Non- symmetrical attachments (A o M35):

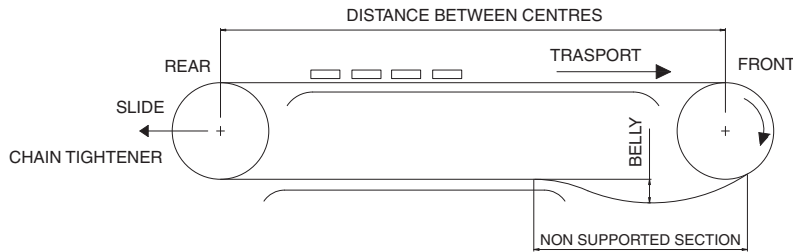
- Non-symmetrical load distribution with possible chain torsion
- Irregular stress distribution and consequent wear of the chain bearing surface (rollers or plates)
- To be used with connecting pins between the two chains to help maintaining correct alignment (see different configurations of figure 2)
- To be used with reduced transporting weight and with short distances between centers of chains



Conveyor chain installation

The best configuration for a chain conveyor is shown in the following diagram:

- Driving sprocket in the front part
- Well supported chain both in the operating and in the reverse section

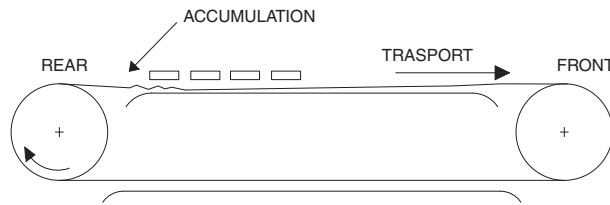


In the driving sprocket exit section there should be a non-supported section, which has two functions:

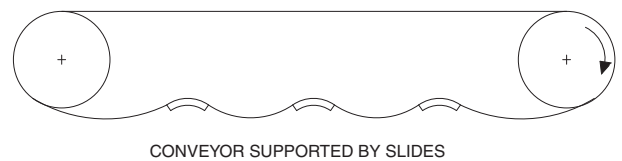
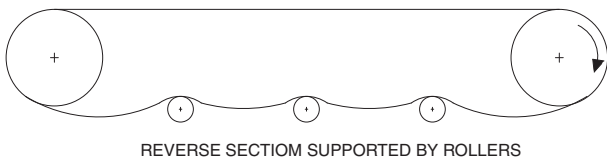
- it allows the chain to set
- the “belly” weight force keeps the chain in mesh with the driving sprocket

There is no wear between pin and bushing because of the very low tension in the reverse section and the deflection is reduced by the support guides.

It is not advisable to install the driving sprocket in the rear of the conveyor because the chain, which is always under load during the whole distance covered, would suffer abnormal wear. Especially in the area of high pressure, i.e. where the material is loaded, there is a risk of chain accumulation in the driving sprocket area and the chain may consequently fall off.



Use a chain tightening device to adjust the distance between centers and to maintain a correct “belly” but do not overload the chain. Other installation methods are shown in following figure. These types of supports cause more wear because the chain is supported only in short sections.



Problems and solutions

The most common problem of conveyors is tripping. Following table shows some possible causes and solutions of this problem.

Possible cause	Solution
Excessive friction	Clean and lubricate moving parts
Conveyor is too long	Use shorter conveyor sections
Conveyor speed is too low	Increase the speed or the number of teeth of the driving wheel
Speed variations due to polygonal effect	Use driving plate wheels with 12 or more teeth

Non-standard metric pitch chains with solid pins

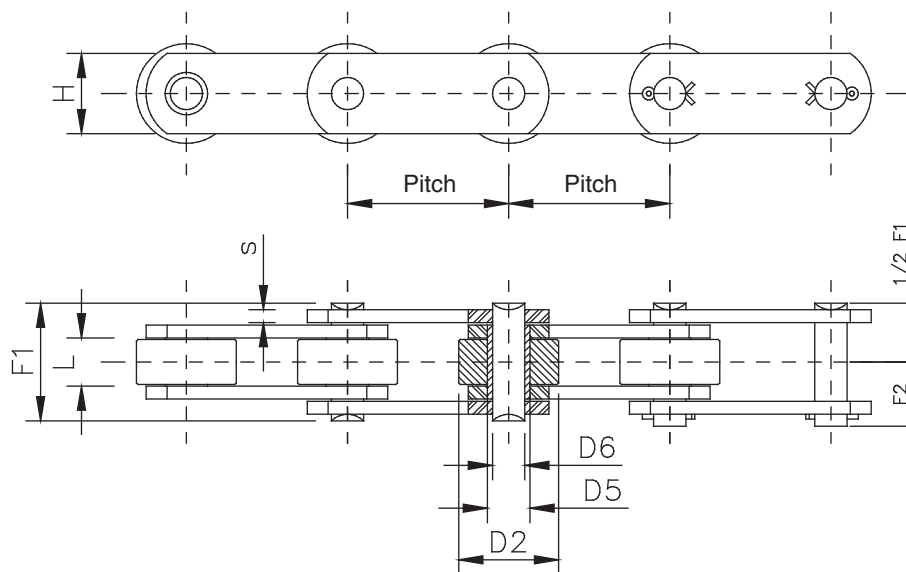
Following types are available:

- stainless steel attachments (SS code)
- nylon rollers
- Delrin rollers
- pre-loaded
- pre-selected

Available surface treatments:

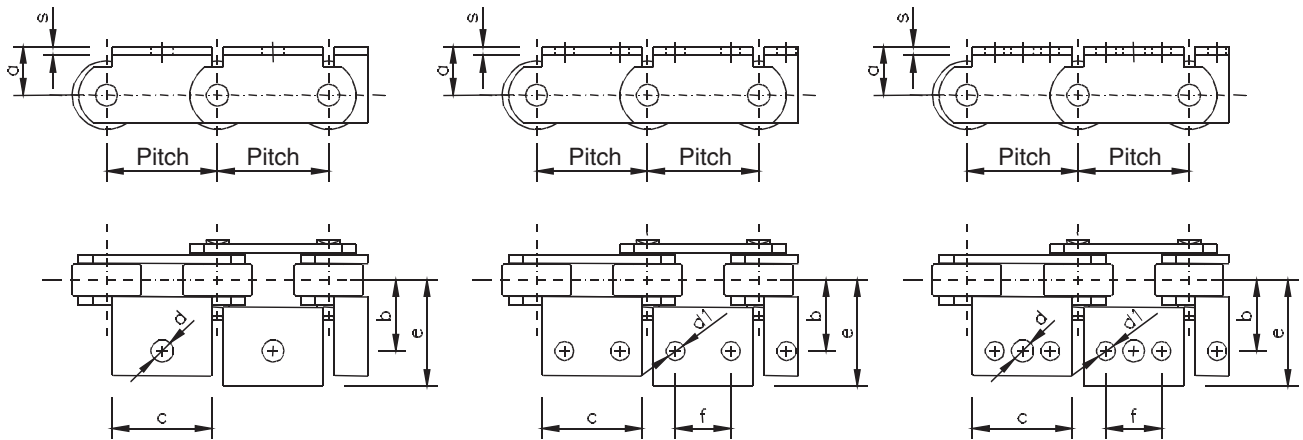
- Zinc plating
- Nickel plating

Sprockets on request.



Chain N°	Pitch [mm] p	Inner width L	Roller diameter D2	Bushing diameter D5	Pin diameter D6	Plate height H	Plate thickness s	Pin length F1	Pin length g. F2	Ultimate strength [N]	Chain weight [kg/m]
103	50	11,5	25	8,4	5,7	15	2	24,0	14,6	16.000	1,4
200	50	11,5	25	8,4	5,7	15	3	28,0	16,5	18.000	1,7
202	69	11,5	25	8,4	5,7	15	3	28,0	16,5	18.000	1,5
203	75	11,5	25	8,4	5,7	20	3	28,0	16,5	18.000	1,7
205	50	11,5	25	8,4	5,7	18	2,5	26,0	16	18.000	1,7
205SS	50	11,5	25	8,4	5,7	18	2,5	26,0	16	18.000	1,7
206	50	11,5	25	11,0	8	20	3	28,0	17	22.000	1,9
206SS	50	11,5	25	11,0	8	20	3	28,0	17	22.000	1,9
206R	50	11,5	25	11,0	8	20	3	28,0	17	45.000	1,9
400	50	15	31	13,2	10	23	3	33,0	19,5	35.000	3,0
400SS	50	15	31	13,2	10	23	3	33,0	19,5	30.000	3,0
402	100	15	31	13,2	10	23	3	33,0	19,5	35.000	2,3
500	50	15	31	13,2	10	25	4	36,0	21	45.000	3,9
500R	50	15	31	13,2	10	25	4	36,0	21	75.000	3,9
501	75	15	31	13,2	10	25	4	36,0	21	45.000	3,2
502	100	15	31	13,2	10	25	4	36,0	21	45.000	2,7
5021432	100	15	31	13,2	10	25	4	36,0	21	75.000	2,7
503	125	15	31	13,2	10	25	4	36,0	21	45.000	2,5
504	150	15	31	13,2	10	25	4	36,0	21	45.000	2,4
701	75	22	40	17,0	12	35	4	43,0	25	75.000	5,9
703	100	22	40	17,0	12	35	4	43,0	25	75.000	4,9
704	125	22	40	17,0	12	35	4	43,0	25	75.000	4,4
705	150	22	40	17,0	12	35	4	43,0	25	75.000	4,0
W1743	100	24	40	17,0	12	35	4	45,0	26	75.000	6,3

Attachments for non-standard metric pitch chains with solid pins



Chain N°	Pitch [mm] p	Fin folding a	Hole distance b	Fin width c	Hole diameter d	Hole diameter d1	Max. dimensions e	Holes inter. f	Plate Thickness s	No. of holes	Attach. weight [kg/m]
103	50	25	21	41	6,5	-	32	-	2	1	0,023
200	50	25	24	41	6,5	-	34	-	3	1	0,035
202	69	27	24	66	6,5	-	34	-	3	1	0,050
203	75	27	33	46	6,5	-	46	-	3	1	0,055
205	50	24	22	46	6,5	-	36	-	2,5	1	0,035
205B	50	14	32	46	6,5	-	45	-	2,5	1	0,035
205SS	50	24	22	46	6,5	-	36	-	2,5	1	0,035
206	50	24	23	40	6,5	-	38	-	3	1	0,035
206R	50	24	23	40	6,5	-	38	-	3	1	0,035
400	50	35	31	60	10	8,5	48,5	25	3	1	0,080
400B	50	16,5	31	60	10	8,5	48,5	25	3	1 or 2	0,050
400SS	50	35	31	60	10	8,5	48,5	25	3	1 or 2	0,080
400SA***	50	28	31	30	10	-	46	-	3	1	0,035
400SB	50	16,5	42	30	10	-	57	-	3	1	0,035
402	100	35	31	70	10	9	46	35	3	3	0,085
500	50	35	32	45	10	8,5	48,5	25	4	1 or 2	0,070
500B	50	22	45	45	10	8,5	61,5	25	4	1 or 2	0,070
500H	50	17,5	34	60	10	9	50	30	4	1 or 2	0,070
501	75	30	29	60	10	9	44,5	30	4	3	0,080
502	100	35	32	70	10	9	48,5	35	4	3	0,100
5021432	100	1,5**	30	60	9	6,5	46	40	4	3	0,100
503	125	35	32	70	10	9	56	35	4	3*	0,160
504	150	35	32	70	10	9	56	35	4	1 or 2*	0,250
701	75	26	38	50	10	9	66,5	25	4	1 or 2	0,100
703	100	40	38	70	10	9	54,5	35	4	3	0,140
703B	100	26	38	70	10	9	68,5	35	4	3	0,120
704	125	26	40	100	10	9	62,5	70	4	3	0,150
705	150	26	40	75	10	9	56,5	50	4	1 or 2	0,180
W1743	100	26	38,5	70	16,5	-	73	35	4	1	0,120

*** = Available also in stainless steel (SS)

** = Attachment folded in chain center line

* = Welded attachment

Non-standard metric pitch chains with hollow pins

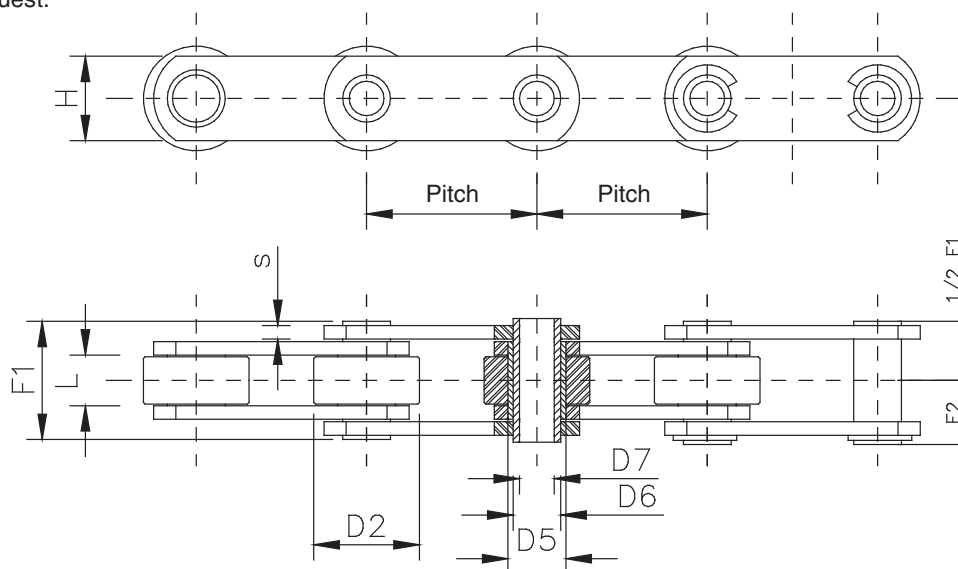
Following types are available:

- stainless steel attachments (SS code)
- nylon rollers
- Delrin rollers
- chains with bushing without roller
- plate wheels on request

Available surface treatments:

- Zinc plating
- Nickel plating

Plate wheels on request.

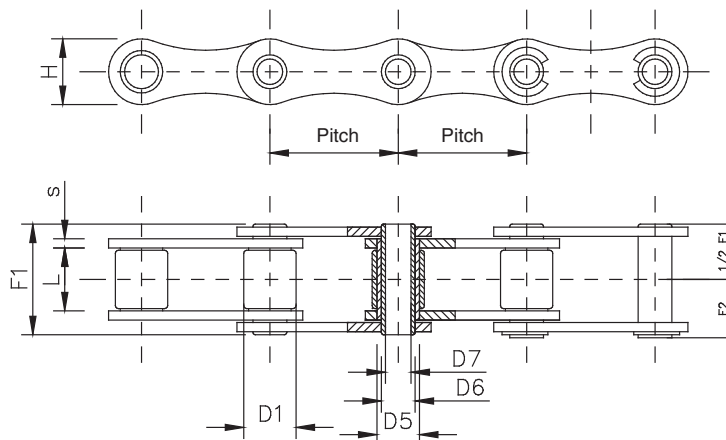


Chain N°	Pitch [mm] p	Inner width L	Roller diameter D2	Bushing diameter D5	Pin diameter D6	Pin diameter f. D7	Plate height H	Plate thickness s	Pin length F1	Pin length g. F2	Ultimate strength [N]	Chain weight [kg/m]
250	50	11,5	25	11	9	6,2	20	2,5	25	14	30.000	1,8
250R	50	11,5	25	11	9	6,2	20	2,5	25	14	38.000	1,8
250SS	50	11,5	25	11	9	6,2	20	2,5	25	14	30.000	1,8
250Z	50	11,5	25	11	9	6,2	20	2,5	25	14	30.000	1,8
400C*	50	15	31	17	14	10,2	25	3	31	17	35.000	3
500C	50	15	31	17	14	10,2	25	4	35	18,5	40.000	3,6
500CR	50	15	31	17	14	10,2	25	4	35	18,5	65.000	3,6
500CSS	50	15	31	17	14	10,2	25	4	35	20	40.000	3,6
501C	75	15	31	17	14	10,2	25	4	35	18,5	40.000	3,1
501CSS	75	15	31	17	14	10,2	25	4	35	20	40.000	3,1
502C	100	15	31	17	14	10,2	25	4	35	18,5	40.000	2,6
502CSS	100	15	31	17	14	10,2	25	4	35	20	40.000	2,6
503C	125	15	31	17	14	10,2	25	4	35	18,5	40.000	2,4
503CSS	125	15	31	17	14	10,2	25	4	35	20	40.000	2,4
504C	150	15	31	17	14	10,2	25	4	35	18,5	40.000	2,3
701C	75	22	40	23	18	12,2	35	4	45	23,5	60.000	4,6
703C	100	22	40	23	18	12,2	35	4	45	23,5	60.000	4,4
703CR	100	22	40	23	18	12,2	35	4	45	23,5	75.000	4,4
704C	125	22	40	23	18	12,2	35	4	45	23,5	60.000	4,2
704CR	125	22	40	23	18	12,2	35	4	45	23,5	75.000	4,2
705C	150	22	40	23	18	12,2	35	4	45	23,5	60.000	4
705CR	150	22	40	23	18	12,2	35	4	45	23,5	75.000	4

* Profiled plates (straight plates also available)

Hollow pin chains – Profiled plates

Sprockets upon request.



Chain N°	Pitch [mm] p	Inner width L	Roller diameter D1	Bushing diameter D5	Pin diameter D6	Pin diameter f. D7	Plate height H	Plate thickness s	Pin length F1	Pin length g. F2	Ultimate strength [N]	Chain weight [kg/m]
260	41,75	20,5	17	13,8	11,0	8,3	22,0	3	36,0	22,7	27.000	1,5
260SS	41,75	20,5	17	13,8	11,0	8,3	22,0	3	36,0	22,7	13.500	1,5
260R	41,75	20,5	17	13,8	11,0	8,3	25,0	3	36,0	22,7	35.000	1,9
260RB	41,75	20,5	17	13,8	11,0	8,3	25,0	3	36,0	22,7	50.000	1,9
261	50	10,0	30	16,0	11,5	8,2	25,5	3	26,5	14,5	60.000	2,2
262	50,8	10,0	30	16,0	11,5	8,2	25,5	3	26,5	14,5	60.000	2,1
262Z	50,8	10,0	30	16,0	11,5	8,2	25,5	3	26,5	14,5	60.000	2,1
262SS	50,8	10,0	30	16,0	11,5	8,2	25,5	3	26,5	14,5	32.000	2,1
W3865AR	60	10,0	30	16,0	11,5	8,2	26,0	3	26,5	14,5	60.000	1,5
W3604R	63	10,0	30	16,0	11,5	8,2	26,0	3	26,5	14,5	60.000	2,3
263	100	10,0	30	16,0	11,5	8,2	25,5	3	26,5	14,5	60.000	1,5

Non-standard metric pitch chains with eccentric rollers

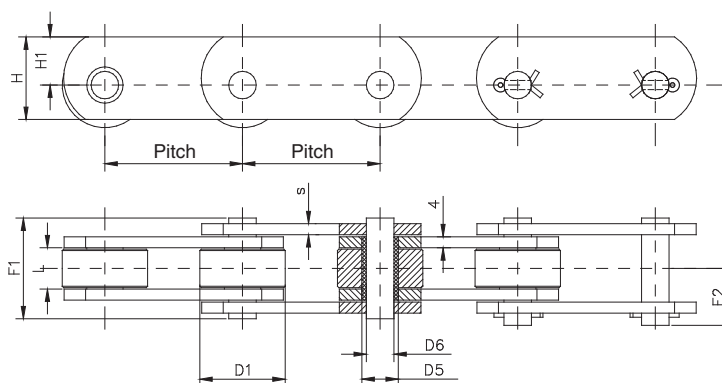
Available models:

- Nylon rollers
- Delrin rollers

Available surface treatments:

- Zinc plating
- Nickel plating

Sprockets upon request.



Chain N°	Pitch [mm] p	Inner width L	Roller diameter D1	Bushing diameter D5	Pin diameter D6	Plate height H	Plate eccentric. H1	Plate thickness s	Pin length F1	Pin length g. F2	Ultimate strength [N]	Chain weight [kg/m]
350	50	11,5	18	8,4	5,7	17,5	10	2,5	25,5	15,5	18.000	1,25
351	50	11,5	25	8,4	5,7	25	16,5	2	24	15	16.000	2
352	50	15	31	13,2	10	30	17,5	4	36	21	45.000	4,5
353	75	15	31	13,2	10	30	17,5	4	36	21	45.000	3,8
354	100	15	31	13,2	10	30	17,5	4	36	21	45.000	3,5

Curved conveyor chains

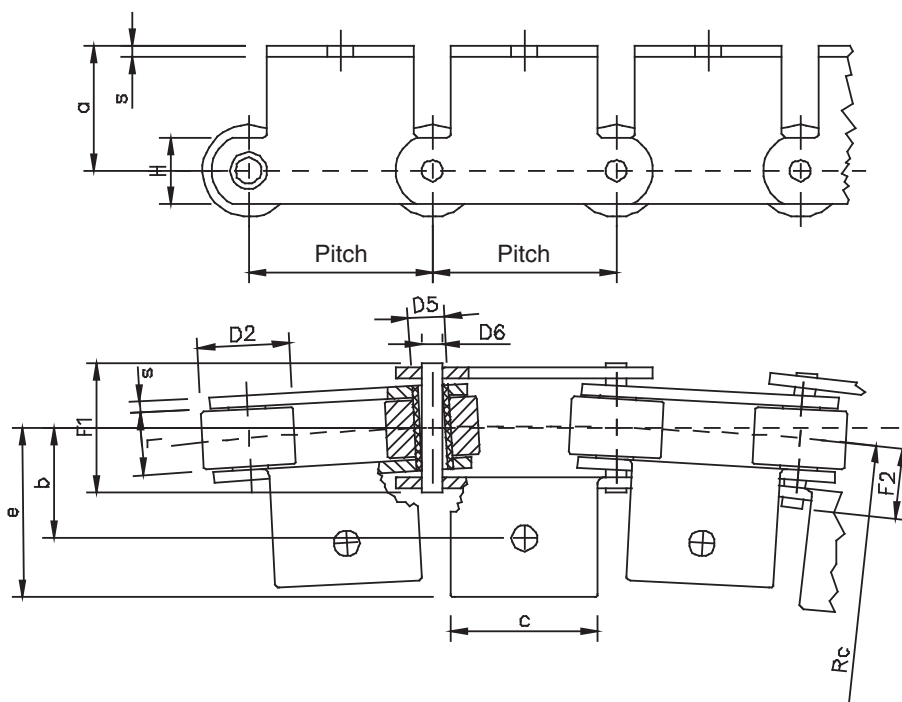
Available models:

- stainless steel
- nylon or Delrin rollers

Surface treatments:

- Zinc plating

Sprockets upon request.



Chain N°	Pitch [mm] p	Inner width L	Roller diameter D2	Bushing diameter D5	Pin diameter D6	Plate height H	Plate thickness s	Pin length F1	Pin length g. F2	Curve radius Rc	Ultimate strength [N]	Chain weight [kg/m]
C50	50	17	25	10	5,9	18	3	35	20	900	20.000	2,4
1947	50	17	25	11	7	20	3	33,5	19	900	30.000	2,4
C65	65	17	25	10	5,9	18	3	35	20	1200	20.000	2

Chain N°	Pitch [mm] p	Pin folding a	Hole distance b	Fin width c	Hole diameter d	Max. size e	Plate Thickness s	Attach. weight [kg]
C50	50	34	29	40	7	45	3	0,045
1947*	50	24	-	40	-	54	3	0,045
C65	65	34	29	50	7	43	3	0,055

* = Attachment without holes

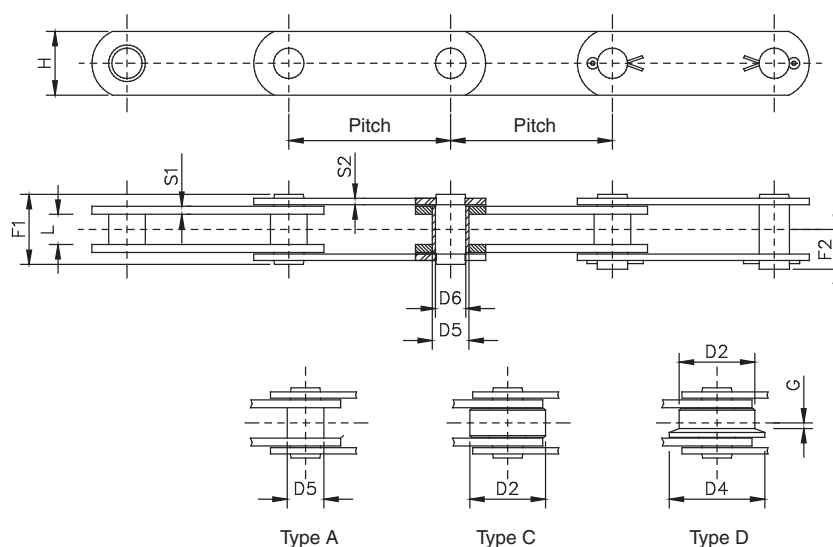
Conveyor chains BS 4116 in inch pitch with solid pins

Following types are available:

- nylon rollers
- Delrin rollers
- pre-loaded
- pre-selected

Available surface treatments:

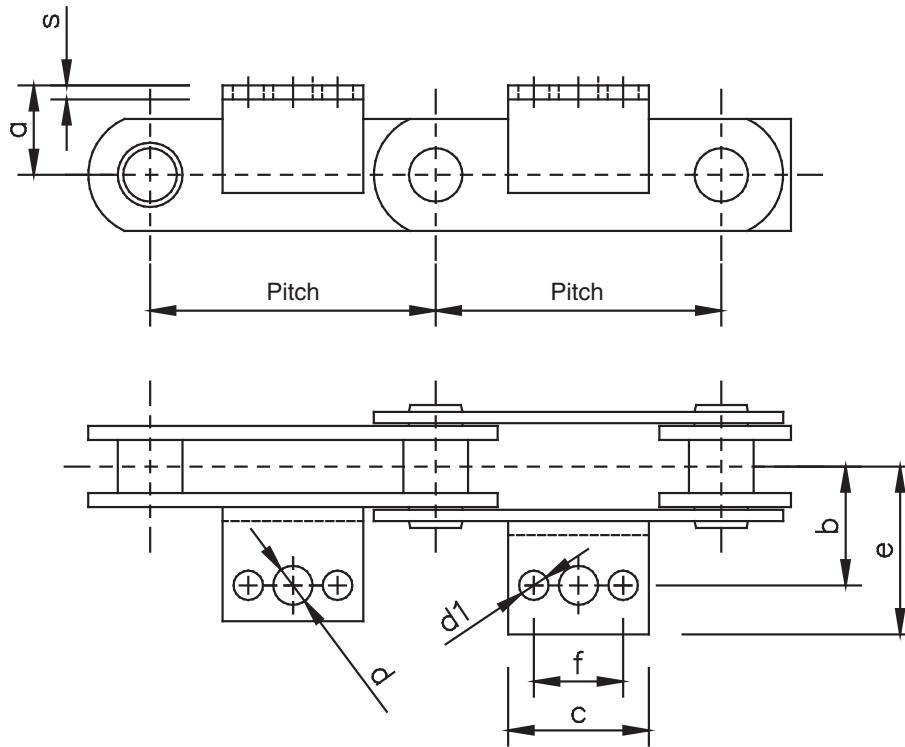
- Zinc plating
- Nickel plating



Chain N°	Pitch [mm] p	Inner width L	Roller diameter D2	Flange diameter D4	Flange dist. G	Bushing diameter D5	Pin diameter D6	Plate Height H	Plate thickness S1	Outer pl. thickn. S2	Pin length F1	Pin length g. F2	Ultimate strength	
													[N]	[N*]
N40	50,8	15	31,75	40	2,5	17	14	25	4	4	37	22	40.000	50.000
N40	63,5	15	31,75	40	2,5	17	14	25	4	4	37	22	40.000	50.000
N40	76,2	15	31,75	40	2,5	17	14	25	4	4	37	22	40.000	50.000
N40	101,6	15	31,75	40	2,5	17	14	25	4	4	37	22	40.000	50.000
N40	127	15	31,75	40	2,5	17	14	25	4	4	37	22	40.000	50.000
N40	152,4	15	31,75	40	2,5	17	14	25	4	4	37	22	40.000	50.000
N100	76,2	19	47,50	60	3,5	23	19	40	5	4	45	28	100.000	130.000
N100	88,9	19	47,50	60	3,5	23	19	40	5	4	45	28	100.000	130.000
N100	101,6	19	47,50	60	3,5	23	19	40	5	4	45	28	100.000	130.000
N100	127	19	47,50	60	3,5	23	19	40	5	4	45	28	100.000	130.000
N100	152,4	19	47,50	60	3,5	23	19	40	5	4	45	28	100.000	130.000
N100	203,2	19	47,50	60	3,5	23	19	40	5	4	45	28	100.000	130.000
N160	101,6	26	66,70	82	3,5	33	26,9	50	7	5	58	34,5	160.000	200.000
N160	127	26	66,70	82	3,5	33	26,9	50	7	5	58	34,5	160.000	200.000
N160	152,4	26	66,70	82	3,5	33	26,9	50	7	5	58	34,5	160.000	200.000
N160	177,8	26	66,70	82	3,5	33	26,9	50	7	5	58	34,5	160.000	200.000
N160	203,2	26	66,70	82	3,5	33	26,9	50	7	5	58	34,5	160.000	200.000
N160	228,6	26	66,70	82	3,5	33	26,9	50	7	5	58	34,5	160.000	200.000
N160	254	26	66,70	82	3,5	33	26,9	50	7	5	58	34,5	160.000	200.000
N300	152,4	38	88,90	114	8,5	38	32	60	10	8	84	52	300.000	380.000
N300	177,8	38	88,90	114	8,5	38	32	60	10	8	84	52	300.000	380.000
N300	203,2	38	88,90	114	8,5	38	32	60	10	8	84	52	300.000	380.000
N300	254	38	88,90	114	8,5	38	32	60	10	8	84	52	300.000	380.000
N300	304,8	38	88,90	114	8,5	38	32	60	10	8	84	52	300.000	380.000

* = Ultimate strength with hardened and tempered plates

Attachments for BS 4116 conveyor chains



Chain N°	Pitch [mm] p	Fin folding a	Hole distance b	Fin width c	Hole diameter d	Hole diam. d1	max size e	Hole inter. f	No. holes	Ang.	Chain weight [kg/m]			Attach. weight [kg]
											type A	type C	type D	
N40	50,8	19	38,1	45	10,7	-	64,5	-	1	Folded	3	4,2	4,4	0,1
N40	63,5	19	38,1	43	10,7	9,3	56	22,2	2	40x25x4	2,8	3,8	3,9	0,1
N40	76,2	19	38,1	43	10,7	9,3	68	22,2	3	Folded	2,5	3,3	3,4	0,1
N40	101,6	19	38,1	64	10,7	9,3	55	31,8	3	Folded	2,3	2,9	3	0,1
N40	127,0	19	38,1	84	10,7	9,3	56	57,2	3	40x25x4	2,1	2,6	2,7	0,2
N40	152,4	19	38,1	84	10,7	9,3	56	57,2	3	40x25x4	1,9	2,4	2,5	0,2
N100	76,2	32	44,5	30	14	-	65	-	1	45x5	4,9	7,7	8,2	0,1
N100	88,9	32	44,5	30	14	-	65	-	1	45x5	4,7	7,1	7,5	0,1
N100	101,6	32	44,5	64	14	10,5	65	31,8	3	Folded	4,6	6,5	7	0,1
N100	127,0	32	44,5	84	14	10,5	65	57,2	2	45x5	4,3	5,6	6,2	0,3
N100	152,4	32	44,5	114,5	14	10,5	65	57,2	3	Folded	4,1	5,2	5,7	0,3
N100	203,2	32	44,5	110	14	10,5	65	80	2	45x5	3,8	4,6	5	0,4
N160	101,6	38	54	35	15,5	-	77	-	1	50x6	8,8	13,7	14,9	0,2
N160	127,0	38	54	56	15,5	12,3	77	31,7	2	50x6	8	11,8	12,8	0,3
N160	152,4	38	54	84	15,5	12,3	77	57,2	2	50x6	7,5	10,8	11,5	0,4
N160	177,8	38	54	84	15,5	12,3	77	57,2	2	50x6	7	9,8	10,5	0,4
N160	203,2	38	54	130	15,5	12,3	77	100	2	50x6	6,7	9,2	9,7	0,6
N160	228,6	38	54	150	15,5	12,3	77	100	2	50x6	6	8,9	9,1	0,7
N160	254,0	38	54	170	15,5	12,3	77	135	2	50x6	5,6	7,6	8	0,7
N300	152,4	51	73	70	17	14	100	38,1	2	60x8	14,7	24,3	26	0,5
N300	177,8	51	73	70	17	14	100	38,1	2	60x8	13,7	22	23,5	0,5
N300	203,2	51	73	100	17	14	100	76,2	2	60x8	13,1	20,5	21,6	0,7
N300	254,0	51	73	152,4	17	14	100	90	2	60x8	12,2	18	19	0,9
N300	304,8	51	73	225	17	14	100	190	2	60x8	11,6	16,5	17,5	1,6

Conveyor chains BS 4116 in inch pitch with hollow pins

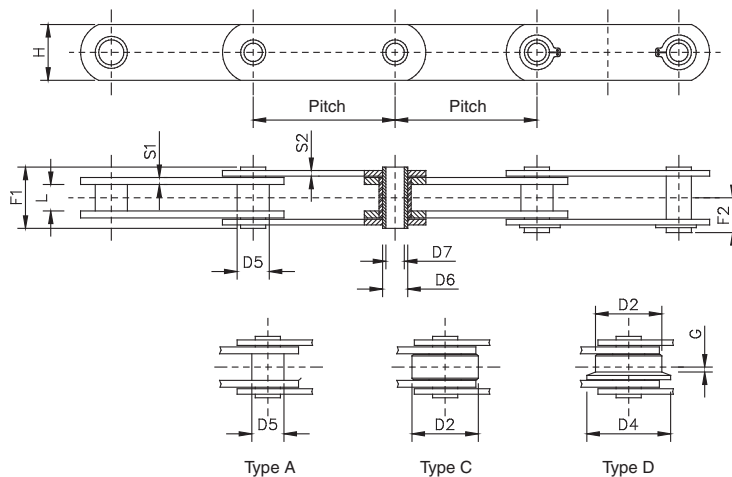
Following types are available:

- stainless steel attachments (SS code)
- nylon rollers
- Delrin rollers
- pre-loaded
- pre-selected

Available surface treatments:

- Zinc plating
- Nickel plating

Sprockets upon request.



Chain N°	Pitch [mm] p	Inner width L	Roller diameter D2	Flange diameter D4	Flange dist. G	Bushing diameter D5	Pin diameter D6	Pin f. diam. D7	Plate Height H	Plate thickness S1	Outer pl. thickn. S2	Pin length F1	Pin length g. F2	Ultimate strength	
														[N]	[N*]
NC21	38,1	12,7	25,4	-	-	11	9	6,5	18	2,5	2,5	26	14,5	21.000	-
NC21	50,8	12,7	25,4	-	-	11	9	6,5	18	2,5	2,5	26	14,5	21.000	-
NC21	63,5	12,7	25,4	-	-	11	9	6,5	18	2,5	2,5	26	14,5	21.000	-
NC21	76,2	12,7	25,4	-	-	11	9	6,5	18	2,5	2,5	26	14,5	21.000	-
NC40	50,8	15	31,8	40	2,5	17	14	10,2	25	4	4	36,4	19,5	40.000	50.000
NC40	63,5	15	31,8	40	2,5	17	14	10,2	25	4	4	36,4	19,5	40.000	50.000
NC40	76,2	15	31,8	40	2,5	17	14	10,2	25	4	4	36,4	19,5	40.000	50.000
NC40	88,9	15	31,8	40	2,5	17	14	10,2	25	4	4	36,4	19,5	40.000	50.000
NC40	101,6	15	31,8	40	2,5	17	14	10,2	25	4	4	36,4	19,5	40.000	50.000
NC40	127	15	31,8	40	2,5	17	14	10,2	25	4	4	36,4	19,5	40.000	50.000
NC40	152,4	15	31,8	40	2,5	17	14	10,2	25	4	4	36,4	19,5	40.000	50.000
NC60	76,2	19	47,5	60	3,5	23	19	13,2	40	5	4	45	23,5	60.000	120.000
NC60	88,9	19	47,5	60	3,5	23	19	13,2	40	5	4	45	23,5	60.000	120.000
NC60	101,6	19	47,5	60	3,5	23	19	13,2	40	5	4	45	23,5	60.000	120.000
NC60	127	19	47,5	60	3,5	23	19	13,2	40	5	4	45	23,5	60.000	120.000
NC60	152,4	19	47,5	60	3,5	23	19	13,2	40	5	4	45	23,5	60.000	120.000
NC60	177,8	19	47,5	60	3,5	23	19	13,2	40	5	4	45	23,5	60.000	120.000
NC60	203,2	19	47,5	60	3,5	23	19	13,2	40	5	4	45	23,5	60.000	120.000
NC150	101,6	26	66,7	82	4	33	26,9	20,2	50	7	5	58	31,5	150.000	190.000
NC150	127	26	66,7	82	4	33	26,9	20,2	50	7	5	58	31,5	150.000	190.000
NC150	152,4	26	66,7	82	4	33	26,9	20,2	50	7	5	58	31,5	150.000	190.000
NC150	177,8	26	66,7	82	4	33	26,9	20,2	50	7	5	58	31,5	150.000	190.000
NC150	203,2	26	66,7	82	4	33	26,9	20,2	50	7	5	58	31,5	150.000	190.000
NC150	228,6	26	66,7	82	4	33	26,9	20,2	50	7	5	58	31,5	150.000	190.000
NC150	254	26	66,7	82	4	33	26,9	20,2	50	7	5	58	31,5	150.000	190.000
NC300	152,4	38	88,9	114	8,5	38	32	22,5	60	10	8	83	43,5	300.000	380.000
NC300	177,8	38	88,9	114	8,5	38	32	22,5	60	10	8	83	43,5	300.000	380.000
NC300	203,2	38	88,9	114	8,5	38	32	22,5	60	10	8	83	43,5	300.000	380.000
NC300	254	38	88,9	114	8,5	38	32	22,5	60	10	8	83	43,5	300.000	380.000
NC300	304,8	38	88,9	114	8,5	38	32	22,5	60	10	8	83	43,5	300.000	380.000

* = Ultimate strength with hardened and tempered plates

Conveyor chains BS 4116 in inch pitch with eccentric rollers

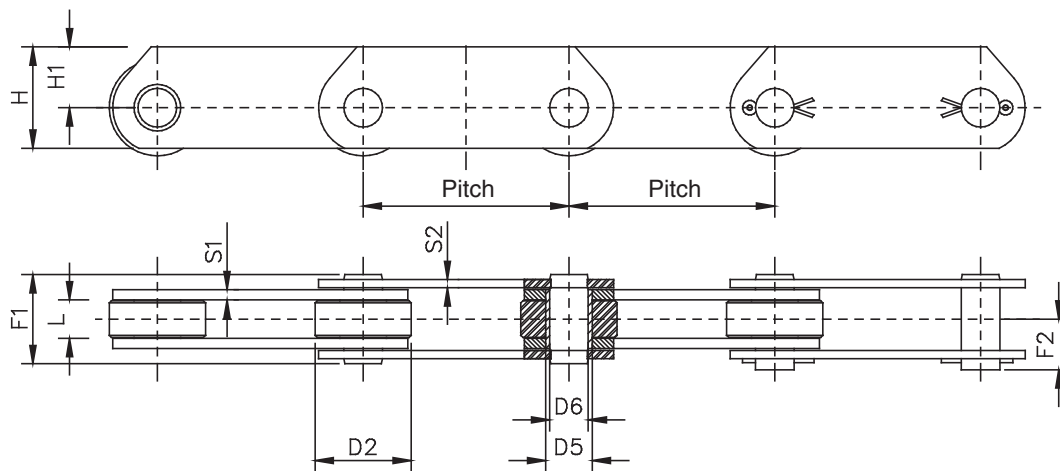
Following types are available:

- stainless steel attachments (SS code)
- nylon rollers
- Delrin rollers
- pre-loaded
- pre-selected

Available surface treatments:

- Zinc plating
- Nickel plating

Sprockets upon request.



Chain N°	Pitch [mm] p	Inner width L	Roller diameter D2	Bushing diameter D5	Pin diameter D6	Plate Height H	Plate Height H1	Plate thickness S1	Outer pl. thckn. S2	Pin length F1	Pin length g. F2	Ultimate strength		Chain weight [kg/m]
												[N]	[N*]	
NE40	50,8	15	31,75	17	14	40	27	4	4	37	22	40.000	60.000	5,6
NE40	63,5	15	31,75	17	14	40	27	4	4	37	22	40.000	60.000	5,1
NE40	76,2	15	31,75	17	14	40	27	4	4	37	22	40.000	60.000	4,4
NE40	88,9	15	31,75	17	14	40	27	4	4	37	22	40.000	60.000	4,1
NE40	101,6	15	31,75	17	14	40	27	4	4	37	22	40.000	60.000	3,9
NE40	127	15	31,75	17	14	40	27	4	4	37	22	40.000	60.000	3,6
NE40	152,4	15	31,75	17	14	40	27	4	4	37	22	40.000	60.000	3,3
NE100	76,2	19	47,5	23	19	50	30	5	4	45	28	100.000	160.000	9,2
NE100	88,9	19	47,5	23	19	50	30	5	4	45	28	100.000	160.000	8,5
NE100	101,6	19	47,5	23	19	50	30	5	4	45	28	100.000	160.000	7,8
NE100	127	19	47,5	23	19	50	30	5	4	45	28	100.000	160.000	6,9
NE100	152,4	19	47,5	23	19	50	30	5	4	45	28	100.000	160.000	6,4
NE100	177,8	19	47,5	23	19	50	30	5	4	45	28	100.000	160.000	6
NE100	203,2	19	47,5	23	19	50	30	5	4	45	28	100.000	160.000	5,7
NE160	101,6	26	66,7	33	26,9	70	45	7	5	58	34,5	160.000	240.000	17,6
NE160	127	26	66,7	33	26,9	70	45	7	5	58	34,5	160.000	240.000	15,4
NE160	152,4	26	66,7	33	26,9	70	45	7	5	58	34,5	160.000	240.000	13,9
NE160	177,8	26	66,7	33	26,9	70	45	7	5	58	34,5	160.000	240.000	12,9
NE160	203,2	26	66,7	33	26,9	70	45	7	5	58	34,5	160.000	240.000	12,1
NE160	228,6	26	66,7	33	26,9	70	45	7	5	58	34,5	160.000	240.000	11,5
NE160	254	26	66,7	33	26,9	70	45	7	5	58	34,5	160.000	240.000	11
NE300	152,4	38	88,9	38	32	90	60	10	8	84	52	300.000	420.000	32,2
NE300	177,8	38	88,9	38	32	90	60	10	8	84	52	300.000	420.000	29,4
NE300	203,2	38	88,9	38	32	90	60	10	8	84	52	300.000	420.000	27,3
NE300	254	38	88,9	38	32	90	60	10	8	84	52	300.000	420.000	24,4
NE300	304,8	38	88,9	38	32	90	60	10	8	84	52	300.000	420.000	22,5

* = Ultimate strength with hardened and tempered plates

Conveyor chains British Standard ISO 1977 - DIN 8167 with solid pins

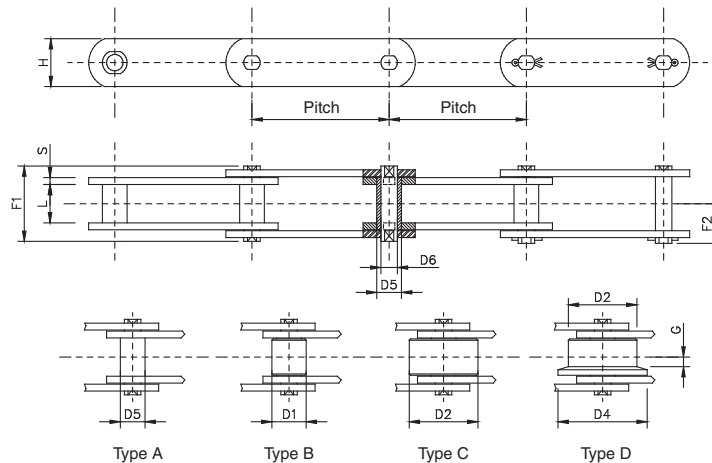
Following types are available:

- stainless steel attachments (SS code)
- nylon rollers
- Delrin rollers
- pre-loaded
- pre-selected

Available surface treatments:

- Zinc plating
- Nickel plating

Sprockets upon request.

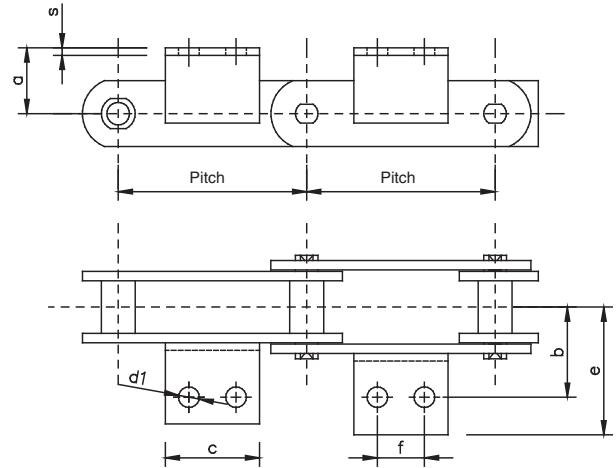


Chain N°	Pitch [mm] p	Inner width L	Roller diameter D1	Roller diameter D2	Flange diameter D4	Flange distance G	Bushing diameter D5	Pin diameter D6	Plate height H	Plate Thickness s	Pin length F1	Conn. link length F2	Ultimate strength	
													[N]	[N*]
M20	40	16	12,5	25	32	3,5	9	6	18	2,5	33	19	20.000	32.000
M20	50	16	12,5	25	32	3,5	9	6	18	2,5	33	19	20.000	32.000
M20	63	16	12,5	25	32	3,5	9	6	18	2,5	33	19	20.000	32.000
M20	80	16	12,5	25	32	3,5	9	6	18	2,5	33	19	20.000	32.000
M28	50	18	15	30	36	4	10	7	20	3	36	20,5	28.000	42.000
M28	63	18	15	30	36	4	10	7	20	3	36	20,5	28.000	42.000
M28	80	18	15	30	36	4	10	7	20	3	36	20,5	28.000	42.000
M28	100	18	15	30	36	4	10	7	20	3	36	20,5	28.000	42.000
M40	63	20	18	36	45	4,5	11	8	25	4	40,5	24	40.000	60.000
M40	80	20	18	36	45	4,5	11	8	25	4	40,5	24	40.000	60.000
M40	100	20	18	36	45	4,5	11	8	25	4	40,5	24	40.000	60.000
M40	125	20	18	36	45	4,5	11	8	25	4	40,5	24	40.000	60.000
M56	63	24	21	42	50	7	15	10	30	4	45	26	56.000	85.000
M56	80	24	21	42	50	7	15	10	30	4	45	26	56.000	85.000
M56	100	24	21	42	50	7	15	10	30	4	45	26	56.000	85.000
M56	125	24	21	42	50	7	15	10	30	4	45	26	56.000	85.000
M56	160	24	21	42	50	7	15	10	30	4	45	26	56.000	85.000
M80	80	28	25	50	60	7	18	12	35	5	54,5	30,5	80.000	125.000
M80	100	28	25	50	60	7	18	12	35	5	54,5	30,5	80.000	125.000
M80	125	28	25	50	60	7	18	12	35	5	54,5	30,5	80.000	125.000
M80	160	28	25	50	60	7	18	12	35	5	54,5	30,5	80.000	125.000
M80	200	28	25	50	60	7	18	12	35	5	54,5	30,5	80.000	125.000
M112	80	32	30	60	75	7,5	21	15	40	6	63	36	112.000	175.000
M112	100	32	30	60	75	7,5	21	15	40	6	63	36	112.000	175.000
M112	125	32	30	60	75	7,5	21	15	40	6	63	36	112.000	175.000
M112	160	32	30	60	75	7,5	21	15	40	6	63	36	112.000	175.000
M112	200	32	30	60	75	7,5	21	15	40	6	63	36	112.000	175.000
M160	100	37	36	70	90	8,5	25	18	50	7	72	41,5	160.000	260.000
M160	125	37	36	70	90	8,5	25	18	50	7	72	41,5	160.000	260.000
M160	160	37	36	70	90	8,5	25	18	50	7	72	41,5	160.000	260.000
M160	200	37	36	70	90	8,5	25	18	50	7	72	41,5	160.000	260.000
M160	250	37	36	70	90	8,5	25	18	50	7	72	41,5	160.000	260.000
M224	125	43	42	85	105	10	30	21	60	8	84	47	224.000	340.000
M224	160	43	42	85	105	10	30	21	60	8	84	47	224.000	340.000
M224	200	43	42	85	105	10	30	21	60	8	84	47	224.000	340.000
M224	250	43	42	85	105	10	30	21	60	8	84	47	224.000	340.000
M224	315	43	42	85	105	10	30	21	60	8	84	47	224.000	340.000
M315	160	48	50	100	124	10,5	36	25	70	10	97	55	315.000	520.000
M315	200	48	50	100	124	10,5	36	25	70	10	97	55	315.000	520.000
M315	250	48	50	100	124	10,5	36	25	70	10	97	55	315.000	520.000
M315	315	48	50	100	124	10,5	36	25	70	10	97	55	315.000	520.000
M315	400	48	50	100	124	10,5	36	25	70	10	97	55	315.000	520.000
M450	200	56	60	120	149	11,5	42	30	80	12	114	67	450.000	700.000
M450	250	56	60	120	149	11,5	42	30	80	12	114	67	450.000	700.000
M450	315	56	60	120	149	11,5	42	30	80	12	114	67	450.000	700.000
M450	400	56	60	120	149	11,5	42	30	80	12	114	67	450.000	700.000

* = Ultimate strength with hardened and tempered plates

Attachments for conveyor chains British Standard ISO 1977 - DIN 8167

All attachments for conveyor chains according to British Standard (ISO 1977) can be delivered with one hole.



Chain N°	Pitch [mm] p	Fin folding a	Hole distance b	Fin width c	Holes diameter d1	Max. size e	Hole inter. f	No. of holes	Ang.	Chain weight [kg/m]				Attach. weight [kg]
										Type A	Type B	Type C	Type D	
M20	40	16	27	14	6,6	40	-	1	Piegato	1,1	1,3	2,4	2,5	0,02
M20	50	16	27	14	6,6	40	-	1	Piegato	1,01	1,3	2	2,1	0,02
M20	63	16	27	35	6,6	40	20	2	25x3	0,99	1,2	1,8	1,9	0,04
M20	80	16	27	50	6,6	40	35	2	25x3	0,9	1,1	1,6	1,6	0,06
M28	50	20	32	20	9	47	-	1	20x3	1,6	1,9	3,3	3,4	0,02
M28	63	20	32	20	9	47	-	1	30x3	1,5	1,7	2,8	2,9	0,02
M28	80	20	32	45	9	47	25	2	30x3	1,4	1,6	2,5	2,6	0,05
M28	100	20	32	60	9	47	40	2	30x3	1,3	1,5	2,1	2,2	0,08
M40	63	25	35	31	9	50	-	1	30x4	2,25	2,6	4,4	4,6	0,04
M40	80	25	35	45	9	50	20	2	30x4	2	2,7	3,7	3,9	0,07
M40	100	25	35	60	9	50	40	2	30x4	1,9	2,1	3,2	3,4	0,1
M40	125	25	35	85	9	50	65	2	30x4	1,8	2	2,9	3	0,15
M56	63	30	44	22	11	61	-	1	40x4	3,4	3,9	6,8	7,2	0,05
M56	80	30	44	30	11	61	-	1	40x4	3	3,4	5,7	6	0,07
M56	100	30	44	50	11	61	25	2	40x4	2,8	3,1	5	5,2	0,12
M56	125	30	44	75	11	61	50	2	40x4	2,6	2,9	4,4	4,5	0,18
M56	160	30	44	110	11	61	85	2	40x4	2,54	2,7	3,9	4,1	0,27
M80	80	35	48	30	11	65	-	1	40x4	4,7	5,4	9,2	9,4	0,07
M80	100	35	48	50	11	65	25	2	40x4	4,3	4,8	7,9	8	0,12
M80	125	35	48	75	11	65	50	2	40x4	4	4,4	6,9	7	0,18
M80	160	35	48	110	11	65	85	2	40x4	3,7	4	6	6,1	0,27
M80	200	35	48	150	11	65	125	2	40x4	3,5	3,8	5,3	5,4	0,36
M112	80	40	55	28	14	80	-	1	50x6	6,8	8	14	14,7	0,13
M112	100	40	55	40	14	80	-	1	50x6	6,2	7,2	12	12,5	0,18
M112	125	40	55	65	14	80	35	2	50x6	5,7	6,5	10,4	10,8	0,3
M112	160	40	55	95	14	80	65	2	50x6	5,3	5,9	9	9,3	0,44
M112	200	40	55	130	14	80	100	2	50x6	5	5,5	7,9	8,2	0,59
M160	100	45	62	30	14	85	-	1	50x6	9,7	11,2	18,9	20,2	0,13
M160	125	45	62	50	14	85	25	2	50x6	8,9	10	16,3	18,1	0,23
M160	160	45	62	80	14	85	50	2	50x6	8,2	9,1	14	15,4	0,37
M160	200	45	62	115	14	85	85	2	50x6	7,6	8,4	12,2	13,4	0,53
M160	250	45	62	175	14	85	145	2	50x6	7,3	7,9	11	12	0,8
M224	125	55	70	35	18	100	-	1	60x8	13	14,8	25,8	26,6	0,3
M224	160	55	70	60	18	100	-	1	60x8	12	13,4	22	22,7	0,43
M224	200	55	70	100	18	100	65	2	60x8	11	12,1	19	19,5	0,71
M224	250	55	70	160	18	100	125	2	60x8	10,3	11,2	16,7	17,1	1,13
M224	315	55	70	230	18	100	190	2	60x8	9,8	10,5	14,9	15,2	1,6
M315	160	65	80	35	18	115	-	1	70x9	18,3	20,4	33,3	34,6	0,32
M315	200	65	80	85	18	115	50	2	70x9	16,7	18,4	28,7	29,7	0,66
M315	250	65	80	140	18	115	100	2	70x9	15,6	17	25,2	26	1,1
M315	315	65	80	190	18	115	155	2	70x9	14,6	15,7	22,3	22,9	1,46
M315	400	65	80	205	18	115	155	2	70x9	13,9	14,8	20	20,5	1,46
M450	200	75	90	50	18	125	-	1	70x9	24	27	40,5	47	0,33
M450	250	75	90	125	18	125	85	2	70x9	22	24,9	39,5	41	1
M450	315	75	90	195	18	125	155	2	70x9	21	23	34,5	36	1,6
M450	400	75	90	280	18	125	240	2	70x9	19,6	21,2	30,5	31,4	2,3

Conveyor chains British Standard ISO 1977 - DIN 8167 with hollow

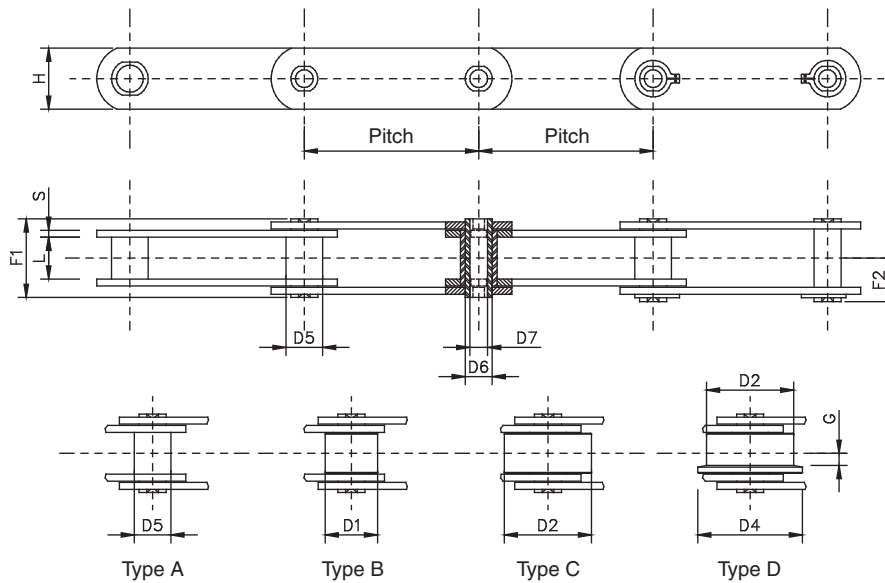
Following types are available:

- stainless steel attachments (SS code)
- nylon rollers
- Delrin rollers
- pre-loaded
- pre-selected

Available surface treatments:

- Zinc plating
- Nickel plating

Sprockets upon request.



Chain N°	Pitch [mm] p	Inner width L	Roller diameter D1	Roller diameter D2	Flange diameter D4	Flange dist. G	Bushing diameter D5	Pin diameter D6	Pin Diam. D7	Plate height H	Plate thickness S	Pin length F1	Pin length g. F2	Ultimate strength	
														[N]	[N*]
MC28	50	20	25	36	45	4,5	17	13	8,2	25	3	36	20,5	28.000	40.000
MC28	63	20	25	36	45	4,5	17	13	8,2	25	3	36	20,5	28.000	40.000
MC28	80	20	25	36	45	4,5	17	13	8,2	25	3	36	20,5	28.000	40.000
MC28	100	20	25	36	45	4,5	17	13	8,2	25	3	36	20,5	28.000	40.000
MC28	125	20	25	36	45	4,5	17	13	8,2	25	3	36	20,5	28.000	40.000
MC56	63	24	30	50	60	7	21	15,5	10,2	35	4	45	25	56.000	90.000
MC56	80	24	30	50	60	7	21	15,5	10,2	35	4	45	25	56.000	90.000
MC56	100	24	30	50	60	7	21	15,5	10,2	35	4	45	25	56.000	90.000
MC56	125	24	30	50	60	7	21	15,5	10,2	35	4	45	25	56.000	90.000
MC56	160	24	30	50	60	7	21	15,5	10,2	35	4	45	25	56.000	90.000
MC112	80	32	42	70	85	8,5	29	22	14,3	50	6	62,5	33	112.000	180.000
MC112	100	32	42	70	85	8,5	29	22	14,3	50	6	62,5	33	112.000	180.000
MC112	125	32	42	70	85	8,5	29	22	14,3	50	6	62,5	33	112.000	180.000
MC112	160	32	42	70	85	8,5	29	22	14,3	50	6	62,5	33	112.000	180.000
MC112	200	32	42	70	85	8,5	29	22	14,3	50	6	62,5	33	112.000	180.000
MC112	250	32	42	70	85	8,5	29	22	14,3	50	6	62,5	33	112.000	180.000
MC224	125	43	60	100	120	10,5	42	30	20,3	70	8	83	44	224.000	350.000
MC224	160	43	60	100	120	10,5	42	30	20,3	70	8	83	44	224.000	350.000
MC224	200	43	60	100	120	10,5	42	30	20,3	70	8	83	44	224.000	350.000
MC224	250	43	60	100	120	10,5	42	30	20,3	70	8	83	44	224.000	350.000
MC224	315	43	60	100	120	10,5	42	30	20,3	70	8	83	44	224.000	350.000

* = Ultimate strength with hardened and tempered plates

Conveyor chains British Standard ISO 1977 - DIN 8167 with eccentric rollers

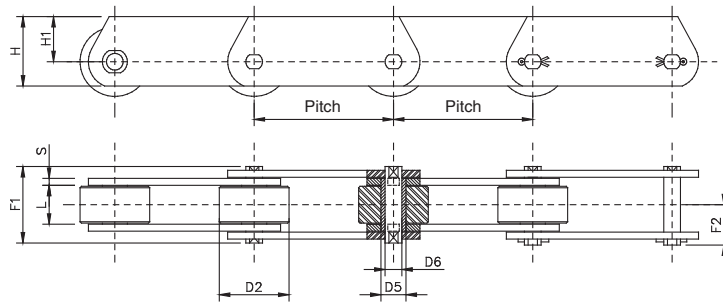
Following types are available:

- stainless steel attachments (SS code)
- nylon rollers
- Delrin rollers
- pre-loaded
- pre-selected

Available surface treatments:

- Zinc plating
- Nickel plating

Sprockets upon request.



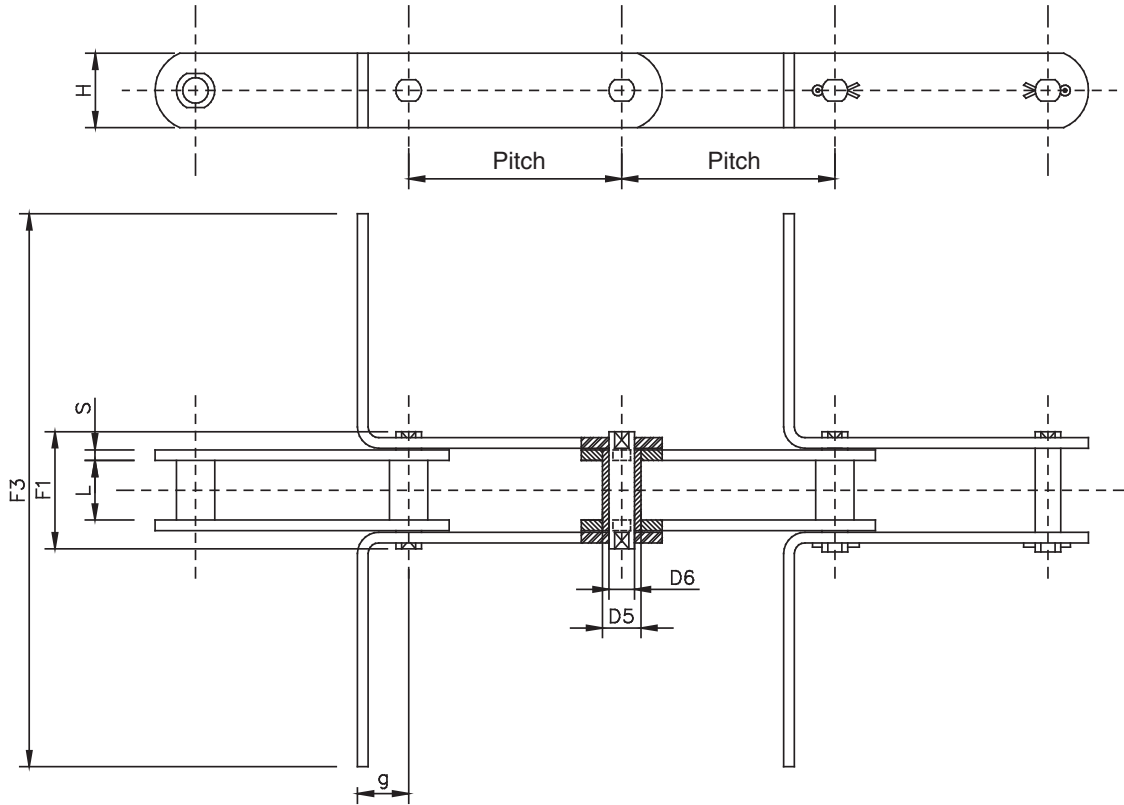
Chains

Chain N°	Pitch [mm] p	Inner width L	Roller diameter D2	Bushing diameter D5	Pin diameter D6	Plate height H	Height H1	Plate thickness S	Pin length F1	Pin length g. F2	Ultimate strength		Chain weight [kg/m]
											[N]	[N*]	
ME20	40	16	25	9	6	25	16	2,5	33	19	20.000	32.000	3
ME20	50	16	25	9	6	25	16	2,5	33	19	20.000	32.000	2,6
ME20	63	16	25	9	6	25	16	2,5	33	19	20.000	32.000	2,3
ME20	80	16	25	9	6	25	16	2,5	33	19	20.000	32.000	2
ME28	50	18	30	10	7	30	20	3	36	20,5	28.000	42.000	4,1
ME28	63	18	30	10	7	30	20	3	36	20,5	28.000	42.000	3,5
ME28	80	18	30	10	7	30	20	3	36	20,5	28.000	42.000	3,1
ME28	100	18	30	10	7	30	20	3	36	20,5	28.000	42.000	2,8
ME40	63	20	36	11	8	35	22,5	4	40,5	24	40.000	60.000	5,5
ME40	80	20	36	11	8	35	22,5	4	40,5	24	40.000	60.000	4,8
ME40	100	20	36	11	8	35	22,5	4	40,5	24	40.000	60.000	4,2
ME40	125	20	36	11	8	35	22,5	4	40,5	24	40.000	60.000	3,7
ME56	63	24	42	15	10	45	30	4	45	26	56.000	85.000	8,3
ME56	80	24	42	15	10	45	30	4	45	26	56.000	85.000	7
ME56	100	24	42	15	10	45	30	4	45	26	56.000	85.000	6,1
ME56	125	24	42	15	10	45	30	4	45	26	56.000	85.000	5,4
ME80	80	28	50	18	12	50	32,5	5	54,5	30,5	80.000	125.000	11
ME80	100	28	50	18	12	50	32,5	5	54,5	30,5	80.000	125.000	9,5
ME80	125	28	50	18	12	50	32,5	5	54,5	30,5	80.000	125.000	8,5
ME80	160	28	50	18	12	50	32,5	5	54,5	30,5	80.000	125.000	7,2
ME80	200	28	50	18	12	50	32,5	5	54,5	30,5	80.000	125.000	6
ME112	80	32	60	21	15	60	40	6	63	36	112.000	175.000	17
ME112	100	32	60	21	15	60	40	6	63	36	112.000	175.000	14,5
ME112	125	32	60	21	15	60	40	6	63	36	112.000	175.000	13
ME112	160	32	60	21	15	60	40	6	63	36	112.000	175.000	11
ME112	200	32	60	21	15	60	40	6	63	36	112.000	175.000	10
ME160	100	37	70	25	18	70	45	7	72	41,5	160.000	260.000	21,5
ME160	125	37	70	25	18	70	45	7	72	41,5	160.000	260.000	19
ME160	160	37	70	25	18	70	45	7	72	41,5	160.000	260.000	17
ME160	200	37	70	25	18	70	45	7	72	41,5	160.000	260.000	15
ME160	250	37	70	25	18	70	45	7	72	41,5	160.000	260.000	13,5
ME224	125	43	85	30	21	90	60	8	84	47	224.000	340.000	32,5
ME224	160	43	85	30	21	90	60	8	84	47	224.000	340.000	27,5
ME224	200	43	85	30	21	90	60	8	84	47	224.000	340.000	23
ME224	250	43	85	30	21	90	60	8	84	47	224.000	340.000	21
ME224	315	43	85	30	21	90	60	8	84	47	224.000	340.000	19
ME315	160	48	100	36	25	100	65	10	97	55	315.000	520.000	43
ME315	200	48	100	36	25	100	65	10	97	55	315.000	520.000	37
ME315	250	48	100	36	25	100	65	10	97	55	315.000	520.000	32
ME315	315	48	100	36	25	100	65	10	97	55	315.000	520.000	28,6
ME315	400	48	100	36	25	100	65	10	97	55	315.000	520.000	25,5
ME450	200	56	120	42	30	120	80	12	114	67	450.000	700.000	47
ME450	250	56	120	42	30	120	80	12	114	67	450.000	700.000	47
ME450	315	56	120	42	30	120	80	12	114	67	450.000	700.000	47
ME450	400	56	120	42	30	120	80	12	114	67	450.000	700.000	47

* = Ultimate strength with hardened and tempered plates

Conveyor chains British Standard ISO 1977 - DIN 8167 with scraping plates

Sprockets upon request.



Chain N°	Pitch [mm] p	Inner width L	Bushing diameter D5	Pin diameter D6	Plate height H	Plate thickness S	Folding g	Scraping pl. width F3	Ultimate strength [N]	Chain weight [kg/m]*
MR56	100	24	15	10	30	4	20	**	56.000	2,8
MR56	125	24	15	10	30	4	20	**	56.000	2,6
MR80	100	28	18	12	35	5	25	**	80.000	4,3
MR80	125	28	18	12	35	5	25	**	80.000	4
MR80	160	28	18	12	35	5	25	**	80.000	3,7
MR112	100	32	21	15	40	6	35	**	112.000	6,2
MR112	125	32	21	15	40	6	35	**	112.000	5,7
MR112	160	32	21	15	40	6	35	**	112.000	5,3
MR160	100	37	25	18	50	7	40	**	160.000	9,7
MR160	125	37	25	18	50	7	40	**	160.000	8,9
MR160	160	37	25	18	50	7	40	**	160.000	8,2
MR224	125	43	30	21	60	8	44	**	224.000	13
MR224	160	43	30	21	60	8	44	**	224.000	12
MR224	200	43	30	21	60	8	44	**	224.000	11
MR315	160	48	36	25	70	10	50	**	315.000	18,3
MR315	200	48	36	25	70	10	50	**	315.000	16,7
MR315	250	48	36	25	70	10	50	**	315.000	15,6

** = Free sizes

* = Without scraping plates

Conveyor chains Standard DIN 8165 with solid pins

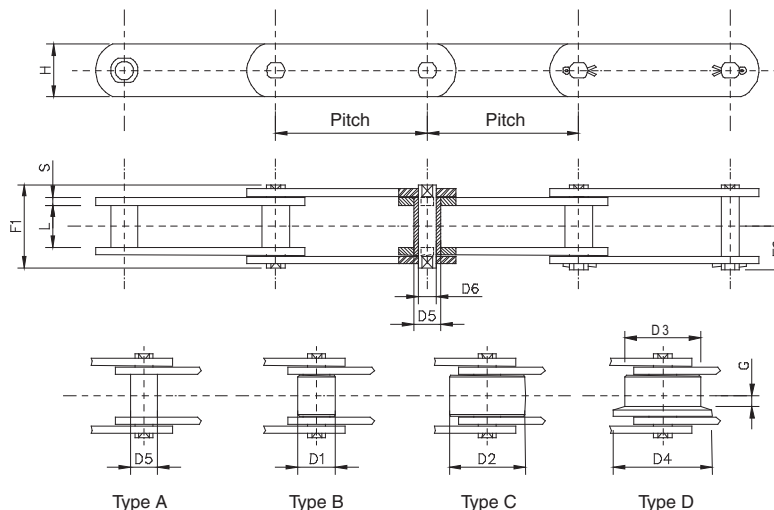
Following types are available:

- stainless steel attachments (SS code)
- nylon rollers
- Delrin rollers
- pre-loaded
- pre-selected

Available surface treatments:

- Zinc plating
- Nickel plating

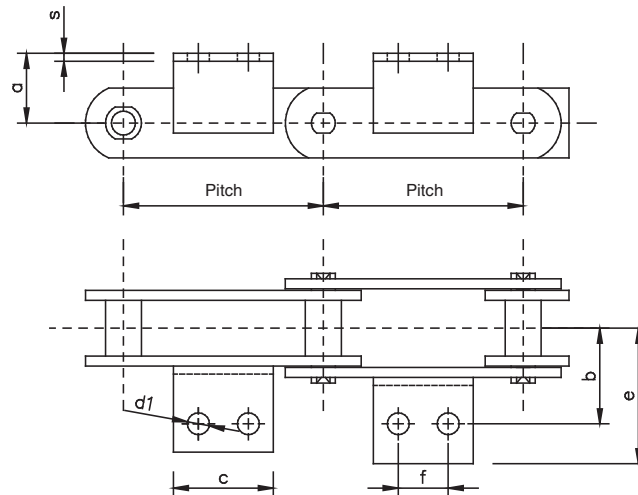
Sprockets upon request.



Chain N°	Pitch [mm] p	Inner width L	Roller diam. D1	Roller diam. D2	Roller diam. D3	Flange diam. D4	Flange diam. G	Bushing diam. D5	Pin diam. D6	Plate height H	Plate thickness S	Pin length F1	Conn. Link length F2	Ultimate strength [N]	Ultimate strength [N*]
FV40	50	18	20	32	40	50	4	15	10	25	3	36	21	42.000	47.000
FV40	63	18	20	32	40	50	4	15	10	25	3	36	21	42.000	47.000
FV40	80	18	20	32	40	50	4	15	10	25	3	36	21	42.000	47.000
FV40	100	18	20	32	40	50	4	15	10	25	3	36	21	42.000	47.000
FV40	125	18	20	32	40	50	4	15	10	25	3	36	21	42.000	47.000
FV63	63	22	26	40	50	63	5	18	12	30	4	45	26	64.000	75.000
FV63	80	22	26	40	50	63	5	18	12	30	4	45	26	64.000	75.000
FV63	100	22	26	40	50	63	5	18	12	30	4	45	26	64.000	75.000
FV63	125	22	26	40	50	63	5	18	12	30	4	45	26	64.000	75.000
FV63	160	22	26	40	50	63	5	18	12	30	4	45	26	64.000	75.000
FV90	63	25	30	48	63	78	6,5	20	14	35	5	53	30	100.000	115.000
FV90	80	25	30	48	63	78	6,5	20	14	35	5	53	30	100.000	115.000
FV90	100	25	30	48	63	78	6,5	20	14	35	5	53	30	100.000	115.000
FV90	125	25	30	48	63	78	6,5	20	14	35	5	53	30	100.000	115.000
FV90	160	25	30	48	63	78	6,5	20	14	35	5	53	30	100.000	115.000
FV90	200	25	30	48	63	78	6,5	20	14	35	5	53	30	100.000	115.000
FV90	250	25	30	48	63	78	6,5	20	14	35	5	53	30	100.000	115.000
FV112	100	30	32	55	72	90	7,5	22	16	40	6	62	35	120.000	170.000
FV112	125	30	32	55	72	90	7,5	22	16	40	6	62	35	120.000	170.000
FV112	160	30	32	55	72	90	7,5	22	16	40	6	62	35	120.000	170.000
FV112	200	30	32	55	72	90	7,5	22	16	40	6	62	35	120.000	170.000
FV112	250	30	32	55	72	90	7,5	22	16	40	6	62	35	120.000	170.000
FV140	100	35	36	60	80	100	9	26	18	45	6	67	38	145.000	180.000
FV140	125	35	36	60	80	100	9	26	18	45	6	67	38	145.000	180.000
FV140	160	35	36	60	80	100	9	26	18	45	6	67	38	145.000	180.000
FV140	200	35	36	60	80	100	9	26	18	45	6	67	38	145.000	180.000
FV140	250	35	36	60	80	100	9	26	18	45	6	67	38	145.000	180.000
FV180	125	45	42	70	100	125	13	30	20	50	8	86	49	190.000	250.000
FV180	160	45	42	70	100	125	13	30	20	50	8	86	49	190.000	250.000
FV180	200	45	42	70	100	125	13	30	20	50	8	86	49	190.000	250.000
FV180	250	45	42	70	100	125	13	30	20	50	8	86	49	190.000	250.000
FV180	315	45	42	70	100	125	13	30	20	50	8	86	49	190.000	250.000
FV250	160	55	50	80	125	155	15	36	26	60	8	97	55	275.000	300.000
FV250	200	55	50	80	125	155	15	36	26	60	8	97	55	275.000	300.000
FV250	250	55	50	80	125	155	15	36	26	60	8	97	55	275.000	300.000
FV250	315	55	50	80	125	155	15	36	26	60	8	97	55	275.000	300.000

* = Ultimate strength with hardened and tempered plates

Attachments for conveyor chains Standard DIN 8165



Chain N°	Pitch [mm] p	Fin folding a	Hole distance b	Fin width c	Hole diam. d1	Max. size e	Hole inter. f	No. of holes	Ang.	Chain weight [kg/m]				Attach weight [kg]
										Type A	Type B	Type C	Type D	
FV40	50	20	25	45	6,5	64	-	1	Folded	2,4	2,9	4	5,6	0,05
FV40	63	20	25	31	6,5	40,5	-	1	Folded	2	2,4	3,3	4,5	0,04
FV40	80	20	25	45	6,5	40,5	25	2	25x3	1,9	2,2	3	3,9	0,05
FV40	100	20	25	50	6,5	40,5	30	2	25x3	1,7	2	2,6	3,3	0,06
FV40	125	20	25	60	6,5	40,5	30	2	25x3	1,6	1,9	2,3	3	0,07
FV63	63	30	34	40	8,4	50	-	1	30x4	3,8	4,5	6,4	8,9	0,06
FV63	80	30	34	45	8,4	50	25	2	30x4	3,2	3,8	5,3	7,2	0,1
FV63	100	30	34	50	8,4	50	30	2	30x4	3	3,5	4,7	6,2	0,11
FV63	125	30	34	60	8,4	50	40	2	30x4	2,7	3	4	5,3	0,14
FV63	160	30	34	70	8,4	50	50	2	30x4	2,4	2,7	3,5	4,4	0,17
FV90	63	35	40	30	8,4	64	-	1	40x4	5,6	6,8	10	14,7	0,07
FV90	80	35	40	45	8,4	64	25	2	40x4	5,1	6	8,6	12,3	0,11
FV90	100	35	40	50	8,4	64	30	2	40x4	4,5	5,3	7,3	10,3	0,13
FV90	125	35	40	60	8,4	64	40	2	40x4	4,2	4,8	6,5	8,8	0,16
FV90	160	35	40	70	8,4	64	50	2	40x4	4	4,5	5,8	7,6	0,2
FV90	200	35	40	80	8,4	64	60	2	40x4	3,5	3,8	4,8	5,8	0,24
FV90	250	35	40	85	8,4	64	65	2	40x4	3,4	3,7	4,6	5,4	0,21
FV112	100	40	50	50	11	70	30	2	40x6	6,7	7,7	11,2	18,8	0,2
FV112	125	40	50	65	11	70	40	2	40x6	6	6,8	9,6	15,7	0,27
FV112	160	40	50	75	11	70	50	2	40x6	5,5	6,1	8,3	13	0,31
FV112	200	40	50	90	11	70	65	2	40x6	5,2	5,7	7,5	11,3	0,4
FV112	250	40	50	105	11	70	80	2	40x6	4,9	5,3	6,7	9,8	0,5
FV140	100	45	50	55	11	81	30	2	50x6	8,2	9,5	14,3	21,4	0,23
FV140	125	45	50	65	11	81	40	2	50x6	7,4	8,5	12,3	18	0,3
FV140	160	45	50	75	11	81	50	2	50x6	6,7	7,5	10,5	14,9	0,36
FV140	200	45	50	90	11	81	65	2	50x6	6	6,7	9	12,8	0,45
FV140	250	45	50	105	11	81	80	2	50x6	5,8	6,3	8,3	11	0,54
FV180	125	45	64	63	13	91	35	2	50x7	10,5	12,4	18,9	31,3	0,32
FV180	160	45	64	80	13	91	50	2	50x7	10,2	11,7	16,7	26,5	0,41
FV180	200	45	64	95	13	91	65	2	50x7	9,6	10,8	14,8	25,9	0,52
FV180	250	45	64	110	13	91	80	2	50x7	8,9	9,8	13	19,3	0,62
FV180	315	45	64	130	13	91	100	2	50x7	8,3	9	11,6	16,6	0,72
FV250	160	55	69	80	14	106	50	2	60x8	13,4	16,4	23,8	45,9	0,57
FV250	200	55	69	95	14	106	65	2	60x8	12,3	14,7	20,6	38,3	0,71
FV250	250	55	69	110	14	106	80	2	60x8	11,3	13,3	17,9	32,1	0,85
FV250	315	55	69	130	14	106	100	2	60x8	10,5	12	15,8	27	1

Conveyor chains Standard DIN 8165 with hollow pins

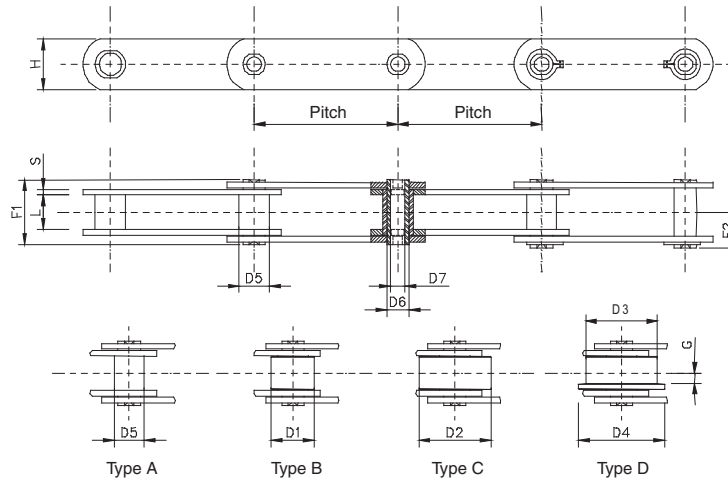
Following types are available:

- nylon rollers
- pre-loaded
- pre-selected

Available surface treatments:

- Zinc plating
- Nickel plating

Sprockets upon request.



Chain N°	Pitch [mm] p	Inner width L	Roller diam. D1	Roller diam. D2	Roller diam. D3	Flange diam. D4	Flange dist. G	Bushing diam. D5	Pin diam. D6	Pin diam. D7	Plate height H	Plate thicken. S	Pin length F1	Pin length g. F2	Ultimate strength	
															[N]	[N*]
FVC63	63	22	26	40	50	63	5	18	12	8	30	4	45	28	46.000	75.000
FVC63	80	22	26	40	50	63	5	18	12	8	30	4	45	28	46.000	75.000
FVC63	100	22	26	40	50	63	5	18	12	8	30	4	45	28	46.000	75.000
FVC63	125	22	26	40	50	63	5	18	12	8	30	4	45	28	46.000	75.000
FVC63	160	22	26	40	50	63	5	18	12	8	30	4	45	28	46.000	75.000
FVC90	63	25	30	48	63	78	6,5	20	14	10	35	5	53	30	73.000	90.000
FVC90	80	25	30	48	63	78	6,5	20	14	10	35	5	53	30	73.000	90.000
FVC90	100	25	30	48	63	78	6,5	20	14	10	35	5	53	30	73.000	90.000
FVC90	125	25	30	48	63	78	6,5	20	14	10	35	5	53	30	73.000	90.000
FVC90	160	25	30	48	63	78	6,5	20	14	10	35	5	53	30	73.000	90.000
FVC90	200	25	30	48	63	78	6,5	20	14	10	35	5	53	30	73.000	90.000
FVC90	250	25	30	48	63	78	6,5	20	14	10	35	5	53	30	73.000	90.000
FVC112	100	30	32	55	72	90	7,5	22	16	11	40	6	62	32	90.000	130.000
FVC112	125	30	32	55	72	90	7,5	22	16	11	40	6	62	32	90.000	130.000
FVC112	160	30	32	55	72	90	7,5	22	16	11	40	6	62	32	90.000	130.000
FVC112	200	30	32	55	72	90	7,5	22	16	11	40	6	62	32	90.000	130.000
FVC112	250	30	32	55	72	90	7,5	22	16	11	40	6	62	32	90.000	130.000
FVC140	100	35	36	60	80	100	9	26	18	12	45	6	67	35	110.000	170.000
FVC140	125	35	36	60	80	100	9	26	18	12	45	6	67	35	110.000	170.000
FVC140	160	35	36	60	80	100	9	26	18	12	45	6	67	35	110.000	170.000
FVC140	200	35	36	60	80	100	9	26	18	12	45	6	67	35	110.000	170.000
FVC140	250	35	36	60	80	100	9	26	18	12	45	6	67	35	110.000	170.000
FVC180	125	45	42	70	100	125	13	30	20	14	50	8	86	45	145.000	190.000
FVC180	160	45	42	70	100	125	13	30	20	14	50	8	86	45	145.000	190.000
FVC180	200	45	42	70	100	125	13	30	20	14	50	8	86	45	145.000	190.000
FVC180	250	45	42	70	100	125	13	30	20	14	50	8	86	45	145.000	190.000
FVC180	315	45	42	70	100	125	13	30	20	14	50	8	86	45	145.000	190.000
FVC250	160	55	50	80	125	155	15	36	26	18	60	8	97	55	215.000	300.000
FVC250	200	55	50	80	125	155	15	36	26	18	60	8	97	55	215.000	300.000
FVC250	250	55	50	80	125	155	15	36	26	18	60	8	97	55	215.000	300.000
FVC250	315	55	50	80	125	155	15	36	26	18	60	8	97	55	215.000	300.000

* = Ultimate strength with hardened and tempered plates

Conveyor chains Standard DIN 8165 with eccentric rollers

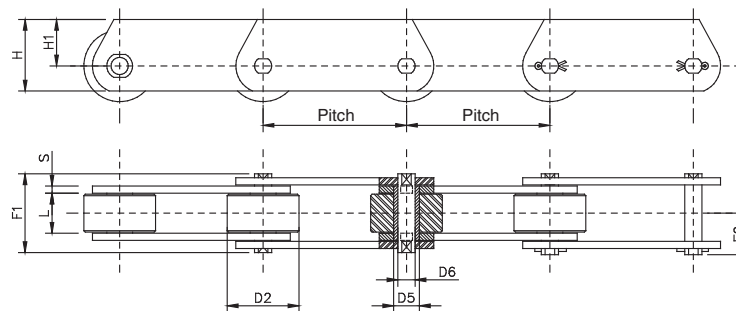
Following types are available:

- nylon rollers
- pre-loaded
- pre-selected

Available surface treatments:

- Zinc plating
- Nickel plating

Sprockets upon request.

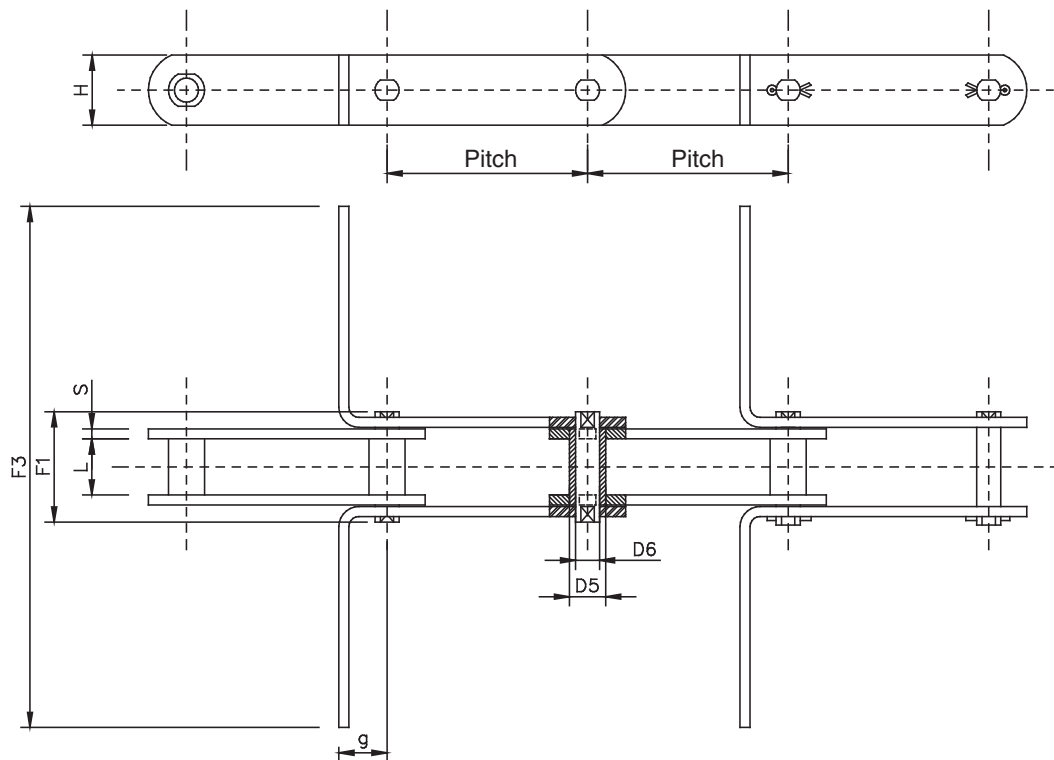


Chain N°	Pitch [mm] p	Inner width L	Roller diameter D2	Roller diameter D5	Pin diameter D6	Plate height H	Height H1	Plate thickness S	Pin length F1	Pin length g. F2	Ultimate strength		Chain weight [kg/m]
											[N]	[N*]	
FVT40	50	18	32	15	10	35	22,5	3	36	21	42.000	47.000	5,0
FVT40	63	18	32	15	10	35	22,5	3	36	21	42.000	47.000	4,3
FVT40	80	18	32	15	10	35	22,5	3	36	21	42.000	47.000	3,8
FVT40	100	18	32	15	10	35	22,5	3	36	21	42.000	47.000	3,4
FVT40	125	18	32	15	10	35	22,5	3	36	21	42.000	47.000	3,0
FVT63	63	22	40	18	12	40	25	4	45	26	64.000	75.000	7,5
FVT63	80	22	40	18	12	40	25	4	45	26	64.000	75.000	6,5
FVT63	100	22	40	18	12	40	25	4	45	26	64.000	75.000	5,7
FVT63	125	22	40	18	12	40	25	4	45	26	64.000	75.000	5,1
FVT63	160	22	40	18	12	40	25	4	45	26	64.000	75.000	4,5
FVT90	63	25	48	20	14	45	27,5	5	53	30	100.000	115.000	11,7
FVT90	80	25	48	20	14	45	27,5	5	53	30	100.000	115.000	10,0
FVT90	100	25	48	20	14	45	27,5	5	53	30	100.000	115.000	8,7
FVT90	125	25	48	20	14	45	27,5	5	53	30	100.000	115.000	7,7
FVT90	160	25	48	20	14	45	27,5	5	53	30	100.000	115.000	6,8
FVT90	200	25	48	20	14	45	27,5	5	53	30	100.000	115.000	5,8
FVT90	250	25	48	20	14	45	27,5	5	53	30	100.000	115.000	5,4
FVT112	100	30	55	22	16	50	30	6	62	35	120.000	170.000	12,7
FVT112	125	30	55	22	16	50	30	6	62	35	120.000	170.000	11,7
FVT112	160	30	55	22	16	50	30	6	62	35	120.000	170.000	9,7
FVT112	200	30	55	22	16	50	30	6	62	35	120.000	170.000	8,7
FVT112	250	30	55	22	16	50	30	6	62	35	120.000	170.000	8
FVT140	100	35	60	25	18	60	37,5	6	67	38	145.000	180.000	16,8
FVT140	125	35	60	25	18	60	37,5	6	67	38	145.000	180.000	14,6
FVT140	160	35	60	25	18	60	37,5	6	67	38	145.000	180.000	12,6
FVT140	200	35	60	25	18	60	37,5	6	67	38	145.000	180.000	11,3
FVT140	250	35	60	25	18	60	37,5	6	67	38	145.000	180.000	10,1
FVT180	125	45	70	30	20	70	45	8	86	49	190.000	250.000	24,2
FVT180	160	45	70	30	20	70	45	8	86	49	190.000	250.000	20,8
FVT180	200	45	70	30	20	70	45	8	86	49	190.000	250.000	18,4
FVT180	250	45	70	30	20	70	45	8	86	49	190.000	250.000	16,5
FVT180	315	45	70	30	20	70	45	8	86	49	190.000	250.000	14,9
FVT250	160	55	80	36	26	80	50	8	97	55	275.000	300.000	28,2
FVT250	200	55	80	36	26	80	50	8	97	55	275.000	300.000	24,5
FVT250	250	55	80	36	26	80	50	8	97	55	275.000	300.000	21,7
FVT250	315	55	80	36	26	80	50	8	97	55	275.000	300.000	19,3

* = Ultimate strength with hardened and tempered plates

Conveyor chains Standard DIN 8165 with scraping plates

Sprockets upon request.



Chain N°	Pitch [mm] p	Inner width L	Bushing diameter D5	Pin diameter D6	Plate height H	Plate thickness S	Folding g	Scraping pl. width F3**	Ultimate strength [N]	Chain weight [kg/m]*
FV40	80	18	15	10	25	3	20	**	42.000	1,90
FV40	100	18	15	10	25	3	20	**	42.000	1,70
FV40	125	18	15	10	25	3	20	**	42.000	1,60
FV63	100	22	18	12	30	4	25	**	64.000	3,00
FV63	125	22	18	12	30	4	25	**	64.000	2,70
FV63	160	22	18	12	30	4	25	**	64.000	2,40
FV90	100	25	20	14	35	5	30	**	100.000	4,50
FV90	125	25	20	14	35	5	30	**	100.000	4,20
FV90	160	25	20	14	35	5	30	**	100.000	4,00
FV112	100	30	22	16	40	6	35	**	120.000	6,70
FV112	125	30	22	16	40	6	35	**	120.000	6,00
FV112	160	30	22	16	40	6	35	**	120.000	5,50
FV140	125	35	26	18	45	6	38	**	145.000	7,40
FV140	160	35	26	18	45	6	38	**	145.000	6,70
FV140	200	35	26	18	45	6	38	**	145.000	6,00
FV180	125	45	30	20	50	8	44	**	190.000	10,50
FV180	160	45	30	20	50	8	44	**	190.000	10,20
FV180	200	45	30	20	50	8	44	**	190.000	9,60
FV250	160	55	36	26	60	8	50	**	275.000	13,40
FV250	200	55	36	26	60	8	50	**	275.000	12,30
FV250	250	55	36	26	60	8	50	**	275.000	11,30

** = Free sizes

* = Without scraping plates

Malleable cast iron chains for case conveyors

This type of chain is used in medium corrosive environments to slide concentrated loads, mainly in the bottling industry to transport boxes or cases..

It is generally provided with profile rail guides and it can be used on curved conveyors.

It is made of cast iron with non-treated steel pins and it has following characteristics:

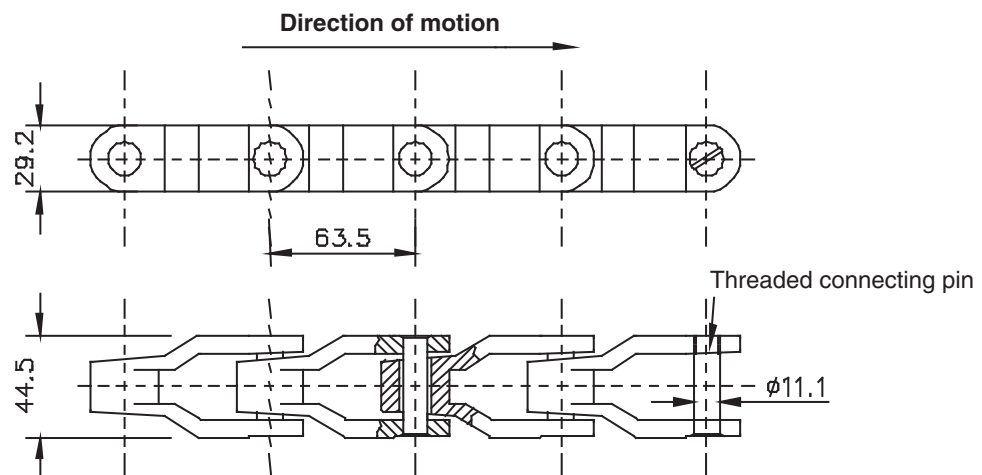
- riveted pin inside the plates
- large sliding surface
- curve radius minimum: 500 mm

Available models:

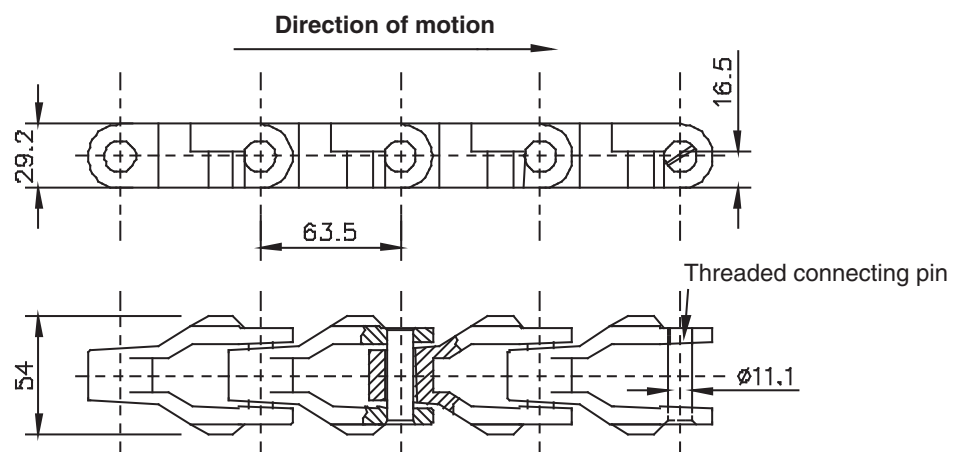
- draft and driving plate wheels of cast iron or acetal resin
- links of acetal resin or polypropylene with very low coefficient of friction



CC600



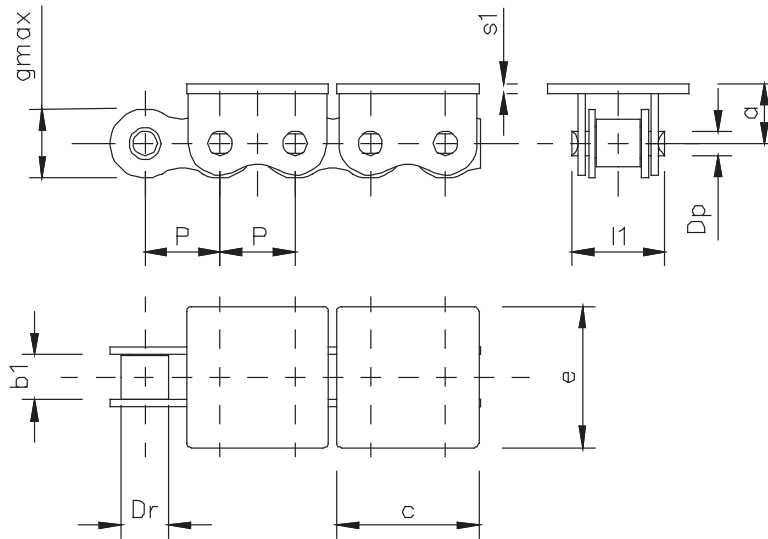
CC600D



Chain type	Pitch [mm] p	Ultimate strength [N]	Operating load [N]	Curve radius [mm]	Chain weight [kg/m]
CC600	63,5	71.200	4.700	500	4,8
CC600D	63,5	71.200	4.700	500	5,5

Conveyor chains for bricks and tiles

Sprockets can also be delivered upon request.

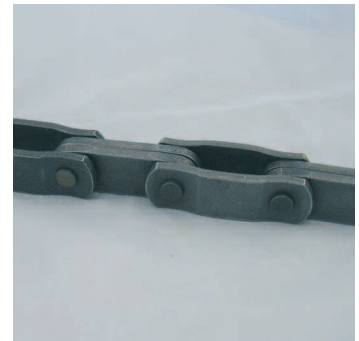
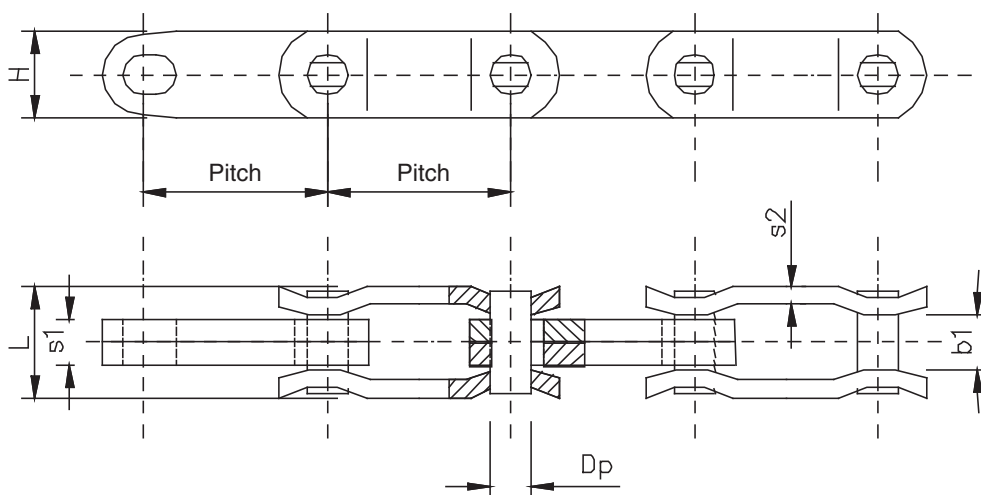


Chain N°	Pitch [mm] p	Inner width b1	Roller diameter Dr	Pin diameter Dp	gmax	Pin length l1	Cap height a	Cap surface c x e	Cap thickness s1	Ultimate strength min. [N]
TA 10 B	15,88	9,65	10,16	7,01	14,70	18,80	12,70	30 x 30	2,00	18.000
TB 85	20,00	16,00	12,00*	8,00	18,50	36,00	15,50	36 x 85	4,00	20.000

* = Bushing diameter

Conveyor steel chains for cases

Sprockets can also be delivered upon request.



Chain N°	Pitch [mm] p	Inner width b1	Pin diameter Dp	Plate height H	Plate thickness int. s1	Out plate thickness s2	Max. size L	Curve radius min.	Ultimate strength min. [N]	Chain weight [kg/m]
6285	62,85	18,00	14,00	30,00	16,00	6,00	38,00	400,00	130.000	5,1

Pressed steel chains for overhead conveyors

Removable links links

This type of chains consists of forged and treated steel elements and, in comparison to their weight, they have a very high ultimate strength.

The design allows simple manual assembly and disassembly.

They are used in overhead conveyors because these joints allow application on different levels. They can be used in long distance conveyors, ground conveyors, heavy industry conveyors (foundries, steelmills, mines).

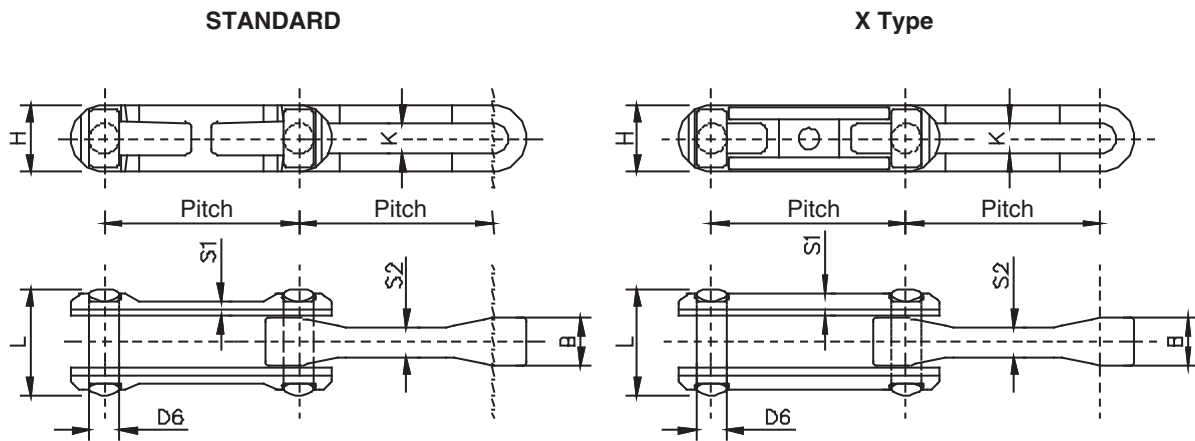
Standard chains are used in the vast majority of cases.

The X-type chains, on the contrary, are used for overhead conveyors combined with test and repair trolleys.

The symmetrical pins can be rotated of 180°, when they are worn out, to extend chain life.

All chain elements are made of hardened and tempered carbon steel or hardened and tempered alloy steel to obtain the maximum ultimate strength and higher wear resistance.

Different attachments are available, which allow the application on overhead conveyors with trolleys.

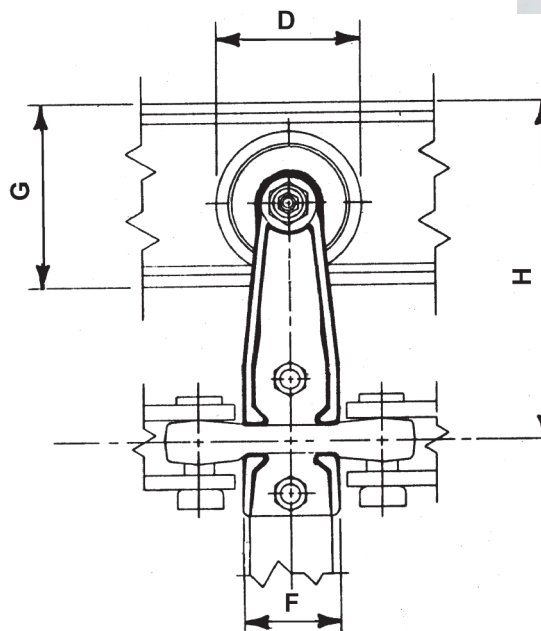
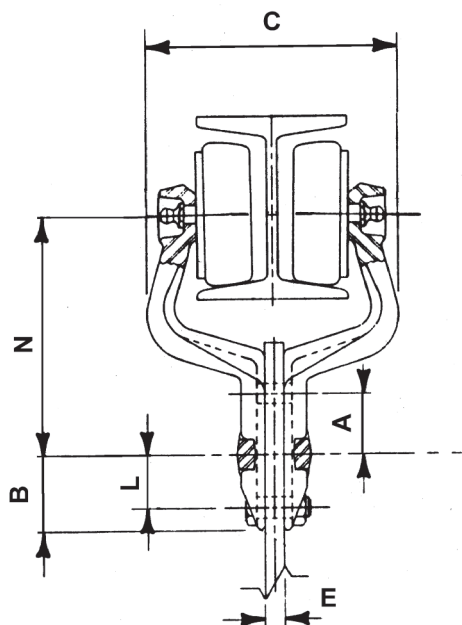


Chain N°	Pitch [mm] p	Pin diameter D6	Inner plate thickness B	Pin length L	Plate height H	Outer plate thickness S1	Inner plate thickness S2	Inner plate width K	Chain weight [kg/m]	Ultimate strength [N]
348	76,2	12,70	19,1	44,5	26,9	6,8	12,7	13,5	3,3	109.000
X 348	76,2	12,70	19,1	44,5	26,9	10,4	12,7	13,5	3,3	109.000
458	102,4	15,88	25,9	55,6	35,1	7,9	16,0	17,5	4,6	220.000
X 458	102,4	15,88	25,9	55,6	35,1	11,9	16,0	17,5	4,8	220.000
468	102,4	19,05	41,4	84,1	47,8	10,4	28,7	22,4	11,2	320.000
678	153,2	22,23	33,0	77,0	50,8	12,7	20,6	25,4	9,7	390.000
X 678	153,2	22,23	33,0	77,0	50,8	18,3	20,6	25,4	10,0	390.000

Trolleys of pressed steel for chains

Available:

- two-axis trolleys for heavy loads
- hangers
- special attachments



Chain N°	Pitch [mm] p	Distance from girder to chain centre H	Base chain distance B	Trolley size C	Roller diam. D	Hanger thickn. E	Girder height G	Chain distance			Bracket width F	Trolley weight [kg]	Max. carrying capacity [kg]
								Upper bolt A	Lower bolt L	Roller N			
348	76,2	143,5	35,0	108,0	60,0	6,0	80	22,0	22,0	100	40	2,5	140
		165											
X 348	76,2	143,5	35,0	108,0	60,0	6,0	80	22,0	22,0	135	40	2,5	140
		165											
458	102,4	211	35,0	136,0	80,0	9,0	120	41,0	21,0	135	54	4,5	200
		230,2											
X 458	102,4	211	35,0	136,0	80,0	9,0	120	41,0	21,0	135	54	4,5	200
		230,2											
468	102,4	211	35,0	136,0	80,0	9,0	120	41,0	21,0	135	54	4,5	200
		230,2											
678	153,2	264	43,0	172,0	124,0	13,0	160	42,0	29,0	168	85	9,0	450
		283											
X 678	153,2	264	43,0	172,0	124,0	13,0	160	42,0	29,0	168	85	9,0	450
		283											

Sprockets for simplex, duplex and triplex chain

The background of the page is a teal color. It features several metallic sprockets of various sizes and types. One large sprocket is prominent in the upper right, showing its teeth and a central hole. Other sprockets are scattered across the lower half of the page, some overlapping. The lighting creates highlights and shadows on the metallic surfaces, giving them a three-dimensional appearance.

Sprockets

INDEX

Sprockets for simplex, duplex and triplex chain	Page
Simplex Sprockets	
ISO 04B-1 Pitch 6 x 2,8 mm	43
ISO 05B-1 Pitch 8 x 3 mm	44
ISO 06B-1 Pitch 3/8" x 7/32"	45
ISO 81-1 Pitch 1/2" x 1/8"	46
ISO 83-1 Pitch 1/2" x 3/16"	47
ISO 08B-1 Pitch 1/2" x 5/16"	48
ISO 10B-1 Pitch 5/8" x 3/8"	49
ISO 12B-1 Pitch 3/4" x 7/16"	50
ISO 16B-1 Pitch 1" x 17,02 mm	51
ISO 20B-1 Pitch 1" 1/4 x 3/4"	52
ISO 24B-1 Pitch 1" 1/2 x 1"	53
ISO 28B-1 Pitch 1" 3/4 x 1" 1/4	54
ISO 32B-1 Pitch 2" x 1" 1/4	55
Duplex Sprockets	
ISO 05B-2 Pitch 8 x 3 mm	56
ISO 06B-2 Pitch 3/8" x 7/32"	57
ISO 08B-2 Pitch 1/2" x 5/16"	58
ISO 10B-2 Pitch 5/8" x 3/8"	59
ISO 12B-2 Pitch 3/4" x 7/16"	60
ISO 16B-2 Pitch 1" x 17,02 mm	61
ISO 20B-2 Pitch 1" 1/4 x 3/4"	62
ISO 24B-2 Pitch 1" 1/2 x 1"	63
ISO 28B-2 Pitch 1" 3/4 x 1" 1/4	64
ISO 32B-2 Pitch 2" x 1" 1/4	65
Triplex Sprockets	
ISO 06B-3 Pitch 3/8" x 7/32"	66
ISO 08B-3 Pitch 1/2" x 5/16"	67
ISO 10B-3 Pitch 5/8" x 3/8"	68
ISO 12B-3 Pitch 3/4" x 7/16"	69
ISO 16B-3 Pitch 1" x 17,02 mm	70
ISO 20B-3 Pitch 1" 1/4 x 3/4"	71
ISO 24B-3 Pitch 1" 1/2 x 1"	72
ISO 28B-3 Pitch 1" 3/4 x 1" 1/4	73
ISO 32B-3 Pitch 2" x 1" 1/4	74



SIMPLEX SPROCKETS

Simplex Sprocket

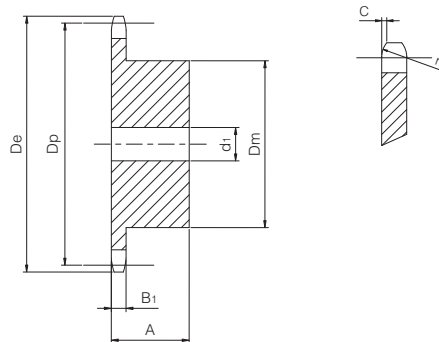
for chain according to DIN 8187 - ISO/R 606



ISO 04B-1

Pitch 6 x 2,8 mm

SPROCKET	[mm]
Tooth radius r_3	6
Radius width C	0,7
Tooth width B_1	2,6
CHAIN	[mm]
Pitch	6
Internal width	2,8
Roller ϕ	4



Z	D_e [mm]	D_p [mm]	D_m [mm]	d_1 [mm]	A [mm]	W [kg]	Part number
8	18,00	15,67	9,8	5	10	0,01	QPS04B1-008
9	19,90	17,54	11,5	5	10	0,01	QPS04B1-009
10	21,70	19,42	13	6	10	0,01	QPS04B1-010
11	23,60	21,30	14	6	10	0,01	QPS04B1-011
12	25,40	23,18	16	6	10	0,02	QPS04B1-012
13	27,30	25,05	18	8	10	0,02	QPS04B1-013
14	29,20	26,96	20	8	10	0,03	QPS04B1-014
15	31,00	28,86	20	8	10	0,03	QPS04B1-015
16	33,00	30,76	20	8	13	0,03	QPS04B1-016
17	35,00	32,65	20	8	13	0,04	QPS04B1-017
18	36,90	34,55	20	8	13	0,04	QPS04B1-018
19	38,80	36,44	20	8	13	0,04	QPS04B1-019
20	40,70	38,34	20	8	13	0,04	QPS04B1-020
21	42,60	40,25	25	8	13	0,06	QPS04B1-021
22	44,50	42,16	25	8	13	0,06	QPS04B1-022
23	46,40	44,06	25	8	13	0,06	QPS04B1-023
24	48,30	45,96	25	8	13	0,07	QPS04B1-024
25	50,20	47,87	25	8	13	0,07	QPS04B1-025
26	52,10	49,76	30	8	15	0,10	QPS04B1-026
27	54,00	51,67	30	8	15	0,10	QPS04B1-027
28	55,90	53,58	30	8	15	0,11	QPS04B1-028
29	57,80	55,50	30	8	15	0,11	QPS04B1-029
30	59,80	57,42	30	8	15	0,11	QPS04B1-030
31	61,70	59,31	30	8	15	0,11	QPS04B1-031
32	63,60	61,21	30	8	15	0,12	QPS04B1-032
33	65,50	63,11	30	8	15	0,12	QPS04B1-033
34	67,40	65,02	30	8	15	0,12	QPS04B1-034
35	69,30	66,93	30	8	15	0,13	QPS04B1-035
36	71,20	68,84	30	8	15	0,13	QPS04B1-036
37	73,10	70,75	30	8	15	0,14	QPS04B1-037
38	75,00	72,66	30	8	15	0,14	QPS04B1-038
39	76,90	74,57	30	8	15	0,14	QPS04B1-039
40	78,90	76,47	30	8	15	0,15	QPS04B1-040
45	88,50	86,01	40	10	18	0,46	QPS04B1-045
50	98,00	95,55	50	12	20	0,50	QPS04B1-050
57	111,40	108,93	50	12	20	0,53	QPS04B1-057

Material: Steel C45

D_e	External diameter	mm
D_p	Pitch diameter	mm
D_m	Hub diameter	mm
W	Weight	kg

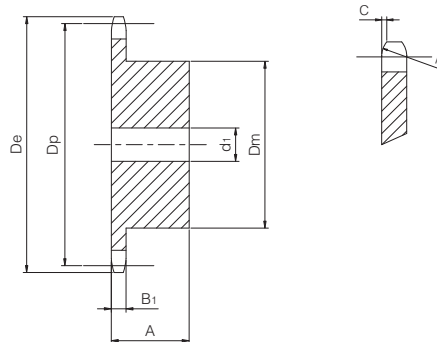
Simplex Sprocket

for chain according to DIN 8187 - ISO/R 606



ISO 05B-1 Pitch 8 x 3 mm

SPROCKET	[mm]
Tooth radius r_3	8
Radius width C	1
Tooth width B_1	2,8
CHAIN	[mm]
Pitch	8
Internal width	3
Roller \varnothing	5



Z	D_e [mm]	D_p [mm]	D_m [mm]	d_1 [mm]	A [mm]	W [kg]	Part number
8	24,00	20,90	13	6	12	0,01	QPS05B1-008
9	26,60	23,39	15	6	12	0,02	QPS05B1-009
10	29,20	25,89	17	8	12	0,02	QPS05B1-010
11	31,70	28,39	18	8	13	0,03	QPS05B1-011
12	34,20	30,91	20	8	13	0,04	QPS05B1-012
13	36,70	33,42	23	8	13	0,05	QPS05B1-013
14	39,20	35,95	25	8	13	0,05	QPS05B1-014
15	41,70	38,48	28	8	13	0,07	QPS05B1-015
16	44,30	41,01	30	8	14	0,08	QPS05B1-016
17	46,80	43,53	30	8	14	0,09	QPS05B1-017
18	49,30	46,07	30	8	14	0,09	QPS05B1-018
19	51,90	48,61	30	8	14	0,09	QPS05B1-019
20	54,40	51,14	30	8	14	0,10	QPS05B1-020
21	57,00	53,68	35	8	14	0,12	QPS05B1-021
22	59,50	56,21	35	8	14	0,13	QPS05B1-022
23	62,00	58,75	35	8	14	0,13	QPS05B1-023
24	64,60	61,29	35	8	14	0,14	QPS05B1-024
25	67,50	63,83	35	8	14	0,15	QPS05B1-025
26	69,50	66,37	40	10	16	0,19	QPS05B1-026
27	72,20	68,91	40	10	16	0,20	QPS05B1-027
28	74,80	71,45	40	10	16	0,20	QPS05B1-028
29	77,30	73,99	40	10	16	0,21	QPS05B1-029
30	79,80	76,53	40	10	16	0,22	QPS05B1-030
31	82,40	79,08	40	10	16	0,22	QPS05B1-031
32	84,90	81,61	40	10	16	0,22	QPS05B1-032
33	87,50	84,16	40	10	16	0,23	QPS05B1-033
34	90,00	86,70	40	10	16	0,24	QPS05B1-034
35	92,50	89,25	40	10	16	0,25	QPS05B1-035
36	95,00	91,79	40	10	16	0,25	QPS05B1-036
37	97,60	94,33	40	10	16	0,26	QPS05B1-037
38	100,20	96,88	40	10	16	0,27	QPS05B1-038
39	102,70	99,42	40	10	16	0,28	QPS05B1-039
40	105,30	101,97	40	10	16	0,29	QPS05B1-040
45	118,00	114,69	60	12	20	0,58	QPS05B1-045
50	130,70	127,41	60	12	20	0,75	QPS05B1-050
57	148,60	145,22	80	14	20	1,00	QPS05B1-057
76	197,70	193,59	80	20	25	1,94	QPS05B1-076

Material: Steel C45 (Fe360B with Z = 76)

D_e	External diameter	mm
D_p	Pitch diameter	mm
D_m	Hub diameter	mm
W	Weight	kg

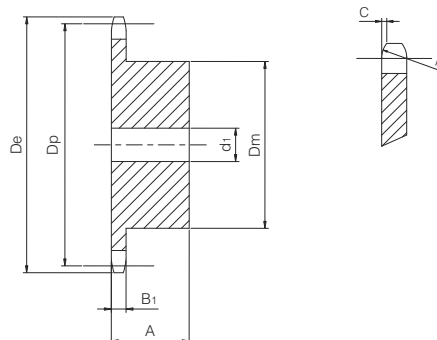
Simplex Sprocket

for chain according to DIN 8187 - ISO/R 606



ISO 06B-1 Pitch 3/8" x 7/32"

SPROCKET		[mm]
Tooth radius r_3	10	
Radius width C	1	
Tooth width B_1	5,3	
CHAIN		[mm]
Pitch	9,525	
Internal width	5,72	
Roller \varnothing	6,35	



Z	De [mm]	Dp [mm]	Dm [mm]	d1 [mm]	A [mm]	W [kg]	Part number
8	28,00	24,89	15	8	22	0,03	QPS06B1-008
9	31,00	27,85	18	8	22	0,04	QPS06B1-009
10	34,00	30,82	20	8	22	0,05	QPS06B1-010
11	37,00	33,80	22	8	25	0,08	QPS06B1-011
12	40,00	36,80	25	8	25	0,10	QPS06B1-012
13	43,00	39,79	28	10	25	0,13	QPS06B1-013
14	46,30	42,80	31	10	25	0,16	QPS06B1-014
15	49,30	45,81	34	10	25	0,19	QPS06B1-015
16	52,30	48,82	37	10	28	0,24	QPS06B1-016
17	55,30	51,83	40	10	28	0,28	QPS06B1-017
18	58,30	54,85	43	10	28	0,33	QPS06B1-018
19	61,30	57,87	45	10	28	0,36	QPS06B1-019
20	64,30	60,89	46	10	28	0,39	QPS06B1-020
21	68,00	63,91	48	12	28	0,42	QPS06B1-021
22	71,00	66,93	50	12	28	0,46	QPS06B1-022
23	73,50	69,95	52	12	28	0,50	QPS06B1-023
24	77,00	72,97	54	12	28	0,54	QPS06B1-024
25	80,00	76,02	57	12	28	0,60	QPS06B1-025
26	83,00	79,02	60	12	28	0,66	QPS06B1-026
27	86,00	82,02	60	12	28	0,67	QPS06B1-027
28	89,00	85,07	60	12	28	0,69	QPS06B1-028
29	92,00	88,09	60	12	28	0,70	QPS06B1-029
30	94,70	91,12	60	12	30	0,72	QPS06B1-030
31	98,30	94,15	65	14	30	0,87	QPS06B1-031
32	101,30	97,17	65	14	30	0,89	QPS06B1-032
33	104,30	100,20	65	14	30	0,91	QPS06B1-033
34	107,30	103,23	65	14	30	0,92	QPS06B1-034
35	110,40	106,26	65	14	30	0,95	QPS06B1-035
36	113,40	109,29	70	16	30	1,05	QPS06B1-036
37	116,40	112,32	70	16	30	1,09	QPS06B1-037
38	119,50	115,35	70	14	30	1,10	QPS06B1-038
39	122,50	118,37	70	16	30	1,12	QPS06B1-039
40	125,50	121,40	70	16	30	1,14	QPS06B1-040
45	140,70	136,55	*80	16	32	1,66	QPS06B1-045
50	155,70	151,69	*80	20	32	1,80	QPS06B1-050
57	176,90	172,91	*80	20	32	1,96	QPS06B1-057
76	234,90	230,49	*80	20	32	2,67	QPS06B1-076
95	292,50	288,08	*80	20	32	4,06	QPS06B1-095
114	349,50	345,68	*80	16	32	5,45	QPS06B1-114

Material: Steel C45 (Fe360B with Z ≥ 45)
* = Weld on hub

D_e	External diameter	mm
D_p	Pitch diameter	mm
D_m	Hub diameter	mm
W	Weight	kg

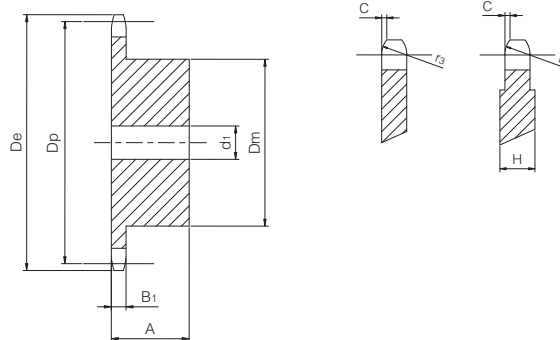
Simplex Sprocket

for chain according to DIN 8187 - ISO/R 606



ISO 81-1 Pitch 1/2" x 1/8"

SPROCKET	[mm]
Tooth radius r_3	13
Radius width C	1
Tooth width B_1	3
Width H (con $Z \geq 31$)	5
CHAIN	[mm]
Pitch	12,7
Internal width	3,3
Roller \varnothing	7,75



Z	D_e [mm]	D_p [mm]	D_m [mm]	d_1 [mm]	A [mm]	W [kg]	Part number
8	37,20	33,18	21	8	14	0,04	QPS81-1-008
9	41,50	37,13	25	8	14	0,06	QPS81-1-009
10	46,20	41,10	28	8	14	0,07	QPS81-1-010
11	49,60	45,07	31	8	16	0,10	QPS81-1-011
12	53,90	49,07	35	8	16	0,13	QPS81-1-012
13	58,40	53,06	39	8	16	0,16	QPS81-1-013
14	62,80	57,07	43	8	16	0,19	QPS81-1-014
15	66,80	61,09	47	8	16	0,23	QPS81-1-015
16	70,90	65,10	50	10	18	0,29	QPS81-1-016
17	74,90	69,11	50	10	18	0,30	QPS81-1-017
18	78,90	73,14	50	10	18	0,31	QPS81-1-018
19	82,90	77,16	50	10	18	0,32	QPS81-1-019
20	86,90	81,19	50	10	18	0,33	QPS81-1-020
21	91,00	85,22	60	12	20	0,48	QPS81-1-021
22	95,00	89,24	60	12	20	0,49	QPS81-1-022
23	99,00	93,27	60	12	20	0,51	QPS81-1-023
24	103,00	97,29	60	12	20	0,52	QPS81-1-024
25	107,10	101,33	60	12	20	0,53	QPS81-1-025
26	111,20	105,36	70	16	20	0,67	QPS81-1-026
27	115,40	109,40	70	16	20	0,69	QPS81-1-027
28	119,40	113,42	70	16	20	0,70	QPS81-1-028
29	123,40	117,46	70	16	20	0,72	QPS81-1-029
30	127,50	121,50	70	16	20	0,74	QPS81-1-030
31	131,50	125,54	70	16	20	0,76	QPS81-1-031
32	135,50	129,56	70	16	20	0,77	QPS81-1-032
33	139,60	133,60	70	16	20	0,79	QPS81-1-033
34	143,60	137,64	70	16	20	0,81	QPS81-1-034
35	147,60	141,68	70	16	20	0,83	QPS81-1-035
36	151,70	145,72	70	16	25	1,00	QPS81-1-036
37	155,70	149,76	70	16	25	1,02	QPS81-1-037
38	159,80	153,80	70	16	25	1,04	QPS81-1-038
39	163,80	157,83	70	16	25	1,06	QPS81-1-039
40	167,80	161,87	70	16	25	1,09	QPS81-1-040

Material: Steel C45

D_e External diameter mm
 D_p Pitch diameter mm
 D_m Hub diameter mm
 W Weight kg

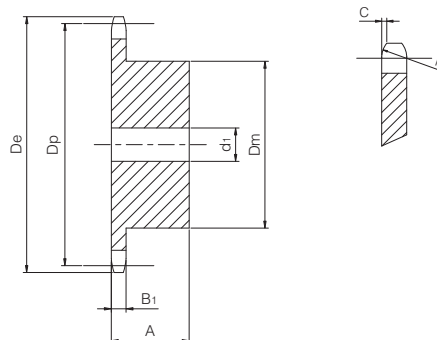
Simplex Sprocket

for chain according to DIN 8187 - ISO/R 606



ISO 83-1 Pitch 1/2" x 3/16"

SPROCKET	[mm]
Tooth radius r_3	13
Radius width C	1,3
Tooth width B_1	4,5
CHAIN	[mm]
Pitch	12,7
Internal width	4,88
Roller \varnothing	7,75



Z	D_e [mm]	D_p [mm]	D_m [mm]	d_1 [mm]	A [mm]	W [kg]	Part number
8	38,50	33,18	21	8	14	0,04	QPS83-1-008
9	41,50	37,13	25	8	14	0,06	QPS83-1-009
10	46,20	41,10	28	8	14	0,08	QPS83-1-010
11	49,60	45,07	31	8	16	0,11	QPS83-1-011
12	53,90	49,07	35	8	16	0,14	QPS83-1-012
13	58,40	53,06	39	8	16	0,17	QPS83-1-013
14	62,80	57,07	43	8	16	0,20	QPS83-1-014
15	66,80	61,09	47	8	16	0,24	QPS83-1-015
16	70,90	65,10	50	10	18	0,30	QPS83-1-016
17	74,90	69,11	50	10	18	0,31	QPS83-1-017
18	78,90	73,14	50	10	18	0,33	QPS83-1-018
19	82,90	77,16	50	10	18	0,34	QPS83-1-019
20	86,90	81,19	50	10	18	0,36	QPS83-1-020
21	91,00	85,22	60	12	20	0,51	QPS83-1-021
22	95,00	89,24	60	12	20	0,53	QPS83-1-022
23	99,00	93,27	60	12	20	0,55	QPS83-1-023
24	103,00	97,29	60	12	20	0,57	QPS83-1-024
25	107,10	101,33	60	12	20	0,59	QPS83-1-025
26	111,20	105,36	70	16	20	0,72	QPS83-1-026
27	115,40	109,40	70	16	20	0,74	QPS83-1-027
28	119,40	113,42	70	16	20	0,77	QPS83-1-028
29	123,40	117,46	70	16	20	0,79	QPS83-1-029
30	127,50	121,50	70	16	20	0,82	QPS83-1-030
31	131,50	125,54	70	16	20	0,85	QPS83-1-031
32	135,50	129,56	70	16	20	0,87	QPS83-1-032
33	139,60	133,60	70	16	20	0,90	QPS83-1-033
34	143,60	137,64	70	16	20	0,93	QPS83-1-034
35	147,60	141,68	70	16	20	0,96	QPS83-1-035
36	151,70	145,72	70	16	25	1,14	QPS83-1-036
37	155,70	149,76	70	16	25	1,17	QPS83-1-037
38	159,80	153,80	70	16	25	1,20	QPS83-1-038
39	163,80	157,83	70	16	25	1,24	QPS83-1-039
40	167,80	161,87	70	16	25	1,27	QPS83-1-040

Material: Steel C45

D_e	External diameter	mm
D_p	Pitch diameter	mm
D_m	Hub diameter	mm
W	Weight	kg

Simplex Sprockets

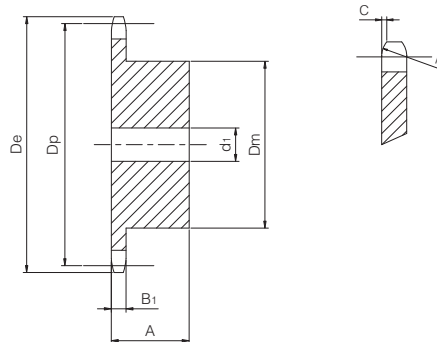
Simplex Sprocket

for chain according to DIN 8187 - ISO/R 606



ISO 08B-1 Pitch 1/2" x 5/16"

SPROCKET	[mm]
Tooth radius r_3	13
Radius width C	1,3
Tooth width B_1	7,2
CHAIN	[mm]
Pitch	12,7
Internal width	7,75
Roller \varnothing	8,51



Z	D_e [mm]	D_p [mm]	D_m [mm]	d_1 [mm]	A [mm]	W [kg]	Part number
8	37,00	33,18	20	10	25	0,06	QPS08B1-008
9	41,00	37,13	24	10	25	0,09	QPS08B1-009
10	45,20	41,10	26	10	25	0,12	QPS08B1-010
11	48,70	45,07	29	10	25	0,15	QPS08B1-011
12	53,00	49,07	33	10	28	0,21	QPS08B1-012
13	57,40	53,06	37	10	28	0,26	QPS08B1-013
14	61,80	57,07	41	10	28	0,32	QPS08B1-014
15	65,50	61,09	45	10	28	0,38	QPS08B1-015
16	69,50	65,10	50	12	28	0,46	QPS08B1-016
17	73,60	69,11	52	12	28	0,51	QPS08B1-017
18	77,80	73,14	56	12	28	0,59	QPS08B1-018
19	81,70	77,16	60	12	28	0,67	QPS08B1-019
20	85,80	81,19	64	12	28	0,76	QPS08B1-020
21	89,70	85,22	68	12	28	0,85	QPS08B1-021
22	93,80	89,24	70	12	28	0,91	QPS08B1-022
23	98,20	93,27	70	14	28	0,95	QPS08B1-023
24	101,80	97,29	70	14	28	0,98	QPS08B1-024
25	105,80	101,33	70	14	28	1,01	QPS08B1-025
26	110,00	105,36	70	16	30	1,09	QPS08B1-026
27	114,00	109,40	70	16	30	1,13	QPS08B1-027
28	118,00	113,42	70	16	30	1,17	QPS08B1-028
29	122,00	117,46	80	16	30	1,42	QPS08B1-029
30	126,10	121,50	80	16	30	1,46	QPS08B1-030
31	130,20	125,54	90	16	30	1,74	QPS08B1-031
32	134,30	129,56	90	16	30	1,78	QPS08B1-032
33	138,40	133,60	90	16	30	1,83	QPS08B1-033
34	142,60	137,64	90	16	30	1,88	QPS08B1-034
35	146,70	141,68	90	16	30	1,93	QPS08B1-035
36	151,00	145,72	90	16	35	2,22	QPS08B1-036
37	154,60	149,76	90	16	35	2,27	QPS08B1-037
38	158,60	153,80	90	16	35	2,32	QPS08B1-038
39	162,70	157,83	90	16	35	2,38	QPS08B1-039
40	166,80	161,87	90	16	35	2,43	QPS08B1-040
45	188,00	182,07	*90	16	40	3,00	QPS08B1-045
50	208,30	202,26	*90	16	40	3,40	QPS08B1-050
57	236,40	230,54	*90	16	40	3,85	QPS08B1-057
76	313,30	307,32	*90	16	40	5,56	QPS08B1-076
95	390,10	384,11	*90	16	40	8,56	QPS08B1-095
114	466,90	460,91	*90	16	40	11,56	QPS08B1-114

Material: Steel C45 (Fe360B with $Z \geq 45$)

* = Weld on hub

D_e	External diameter	mm
D_p	Pitch diameter	mm
D_m	Hub diameter	mm
W	Weight	kg

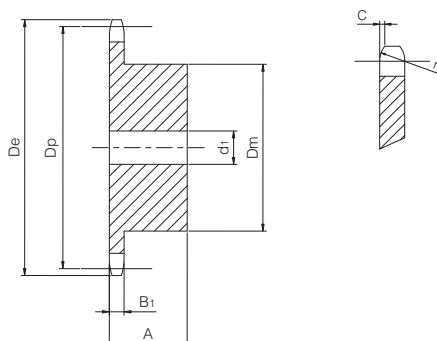
Simplex Sprocket

for chain according to DIN 8187 - ISO/R 606



ISO 10B-1 Pitch 5/8" x 3/8"

SPROCKET		[mm]
Tooth radius r_3	16	
Radius width C	1,6	
Tooth width B_1	9,1	
CHAIN		[mm]
Pitch	15,875	
Internal width	9,65	
Roller \varnothing	10,16	



Z	D_e [mm]	D_p [mm]	D_m [mm]	d_1 [mm]	A [mm]	W [kg]	Part number
8	47,00	41,48	25	10	25	0,12	QPS10B1-008
9	52,60	46,42	30	10	25	0,16	QPS10B1-009
10	57,50	51,37	35	10	25	0,22	QPS10B1-010
11	63,00	56,34	37	12	30	0,29	QPS10B1-011
12	68,00	61,34	42	12	30	0,37	QPS10B1-012
13	73,00	66,32	47	12	30	0,46	QPS10B1-013
14	78,00	71,34	52	12	30	0,56	QPS10B1-014
15	83,00	76,36	57	12	30	0,67	QPS10B1-015
16	88,00	81,37	60	12	30	0,76	QPS10B1-016
17	93,00	86,39	60	12	30	0,88	QPS10B1-017
18	98,30	91,42	70	14	30	1,01	QPS10B1-018
19	103,30	96,45	70	14	30	1,15	QPS10B1-019
20	108,40	101,49	75	14	30	1,21	QPS10B1-020
21	113,40	106,52	75	16	30	1,35	QPS10B1-021
22	118,00	111,55	80	16	30	1,41	QPS10B1-022
23	123,50	116,58	80	16	30	1,47	QPS10B1-023
24	128,30	121,62	80	16	30	1,54	QPS10B1-024
25	134,00	126,66	80	16	30	1,60	QPS10B1-025
26	139,00	131,70	85	20	35	1,96	QPS10B1-026
27	144,00	136,75	85	20	35	2,04	QPS10B1-027
28	148,70	141,78	90	20	35	2,25	QPS10B1-028
29	153,80	146,83	90	20	35	2,33	QPS10B1-029
30	158,80	151,87	90	20	35	2,41	QPS10B1-030
31	163,90	156,92	95	20	35	2,64	QPS10B1-031
32	168,90	161,95	95	20	35	2,73	QPS10B1-032
33	174,50	167,00	95	20	35	2,82	QPS10B1-033
34	179,00	172,05	95	20	35	2,92	QPS10B1-034
35	184,10	177,10	95	20	35	3,01	QPS10B1-035
36	189,10	182,15	100	20	35	3,27	QPS10B1-036
37	194,20	187,20	100	20	35	3,37	QPS10B1-037
38	199,20	192,24	100	20	35	3,47	QPS10B1-038
39	204,20	197,29	100	20	35	3,58	QPS10B1-039
40	209,30	202,34	100	20	35	3,69	QPS10B1-040
45	235,00	227,58	*100	20	40	5,09	QPS10B1-045
50	260,30	252,82	*100	20	40	5,80	QPS10B1-050
57	296,00	288,18	*100	20	40	6,66	QPS10B1-057
76	392,10	384,15	*100	20	50	10,28	QPS10B1-076
95	488,50	480,14	*100	20	50	16,36	QPS10B1-095
114	584,10	576,13	*100	20	50	22,44	QPS10B1-114

Material: Steel C45 (Fe360B with $Z \geq 45$)
* = Weld on hub

D_e External diameter mm
 D_p Pitch diameter mm
 D_m Hub diameter mm
W Weight kg

Simplex Sprockets

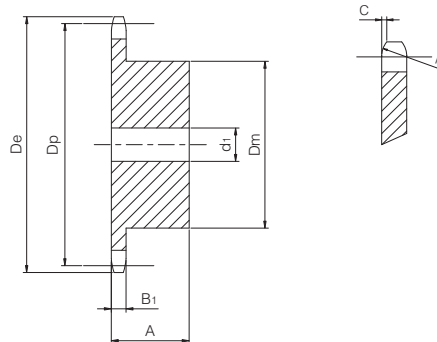
Simplex Sprocket

for chain according to DIN 8187 - ISO/R 606



ISO 12B-1 Pitch 3/4" x 7/16"

SPROCKET	[mm]
Tooth radius r_3	19
Radius width C	2
Tooth width B_1	11,1
CHAIN	[mm]
Pitch	19,05
Internal width	11,68
Roller \varnothing	12,07



Z	D_e [mm]	D_p [mm]	D_m [mm]	d_1 [mm]	A [mm]	W [kg]	Codice
8	57,30	49,78	31	12	30	0,21	QPS12B1-008
9	62,00	55,70	37	12	30	0,29	QPS12B1-009
10	69,00	61,64	42	12	30	0,38	QPS12B1-010
11	75,00	67,61	46	14	35	0,51	QPS12B1-011
12	81,50	73,60	52	14	35	0,65	QPS12B1-012
13	87,50	79,59	58	14	35	0,80	QPS12B1-013
14	93,60	85,61	64	14	35	0,97	QPS12B1-014
15	99,80	91,63	70	14	35	1,16	QPS12B1-015
16	105,50	97,65	75	16	35	1,34	QPS12B1-016
17	111,50	103,67	80	16	35	1,53	QPS12B1-017
18	118,00	109,71	80	16	35	1,62	QPS12B1-018
19	124,20	115,75	80	16	35	1,70	QPS12B1-019
20	129,70	121,78	80	16	35	1,80	QPS12B1-020
21	136,00	127,82	90	20	40	2,35	QPS12B1-021
22	141,00	133,86	90	20	40	2,46	QPS12B1-022
23	149,00	139,90	90	20	40	2,56	QPS12B1-023
24	153,90	145,94	90	20	40	2,68	QPS12B1-024
25	160,00	152,00	90	20	40	2,80	QPS12B1-025
26	165,90	158,04	95	20	40	3,08	QPS12B1-026
27	172,30	164,09	95	20	40	3,21	QPS12B1-027
28	178,00	170,13	95	20	40	3,34	QPS12B1-028
29	184,10	176,19	95	20	40	3,48	QPS12B1-029
30	190,50	182,25	95	20	40	3,63	QPS12B1-030
31	196,30	188,31	100	20	40	3,78	QPS12B1-031
32	203,30	194,35	100	20	40	3,93	QPS12B1-032
33	209,30	200,40	100	20	40	4,09	QPS12B1-033
34	214,60	206,46	100	20	40	4,25	QPS12B1-034
35	221,00	212,52	100	20	40	4,42	QPS12B1-035
36	226,80	218,58	100	20	40	4,71	QPS12B1-036
37	232,90	224,64	100	20	40	4,89	QPS12B1-037
38	239,00	230,69	100	20	40	5,07	QPS12B1-038
39	245,10	236,75	100	20	40	5,26	QPS12B1-039
40	251,30	242,81	100	20	40	5,46	QPS12B1-040
45	282,50	273,09	*110	20	56	8,85	QPS12B1-045
50	312,30	303,39	*110	20	56	10,00	QPS12B1-050
57	355,40	345,81	*110	20	56	11,85	QPS12B1-057
76	469,90	460,98	*110	20	56	18,02	QPS12B1-076
95	585,10	576,17	*110	20	56	27,45	QPS12B1-095
114	700,60	691,36	*110	20	56	36,88	QPS12B1-114

Material: Steel C45 (Fe360B with $Z \geq 45$)

* = Weld on hub

D_e	External diameter	mm
D_p	Pitch diameter	mm
D_m	Hub diameter	mm
W	Weight	kg

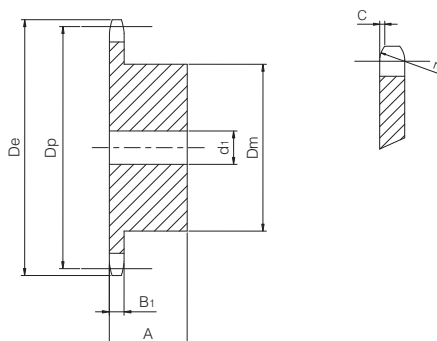
Simplex Sprocket

for chain according to DIN 8187 - ISO/R 606



ISO 16B-1 Pitch 1" x 17,02 mm

SPROCKET		[mm]
Tooth radius r_3	26	
Radius width C	2,5	
Tooth width B_1	16,2	
CHAIN		[mm]
Pitch	25,4	
Internal width	17,02	
Roller \varnothing	15,88	



Z	D_e [mm]	D_p [mm]	D_m [mm]	d_1 [mm]	A [mm]	W [kg]	Codice
8	77,00	66,37	42	16	35	0,47	QPS16B1-008
9	85,00	74,27	50	16	35	0,66	QPS16B1-009
10	93,00	82,19	55	16	35	0,83	QPS16B1-010
11	101,50	90,14	61	16	40	1,14	QPS16B1-011
12	109,00	98,14	69	16	40	1,43	QPS16B1-012
13	117,00	106,12	78	16	40	1,77	QPS16B1-013
14	125,00	114,15	84	16	40	2,08	QPS16B1-014
15	133,00	122,17	92	16	40	2,46	QPS16B1-015
16	141,00	130,20	100	20	45	3,14	QPS16B1-016
17	149,00	138,22	100	20	45	3,33	QPS16B1-017
18	157,00	146,28	100	20	45	3,56	QPS16B1-018
19	165,20	154,33	100	20	45	3,78	QPS16B1-019
20	173,20	162,38	100	20	45	4,03	QPS16B1-020
21	181,20	170,43	110	20	50	5,01	QPS16B1-021
22	189,30	178,48	110	20	50	5,28	QPS16B1-022
23	197,50	186,53	110	20	50	5,56	QPS16B1-023
24	205,50	194,59	110	20	50	5,86	QPS16B1-024
25	213,50	202,66	110	20	50	6,16	QPS16B1-025
26	221,60	210,72	120	20	50	6,96	QPS16B1-026
27	229,60	218,79	120	20	50	7,30	QPS16B1-027
28	237,70	226,85	120	20	50	7,64	QPS16B1-028
29	245,80	234,92	120	20	50	8,00	QPS16B1-029
30	254,00	243,00	120	20	50	8,38	QPS16B1-030
31	262,00	251,08	*120	25	50	8,69	QPS16B1-031
32	270,00	259,13	*120	25	50	9,09	QPS16B1-032
33	278,50	267,21	*120	25	50	9,50	QPS16B1-033
34	287,00	275,28	*120	25	50	9,93	QPS16B1-034
35	296,20	283,36	*120	25	50	10,36	QPS16B1-035
36	304,60	291,44	*120	25	50	10,81	QPS16B1-036
37	312,60	299,51	*120	25	50	11,28	QPS16B1-037
38	320,70	307,59	*120	25	50	11,76	QPS16B1-038
39	328,80	315,67	*120	25	50	12,25	QPS16B1-039
40	336,90	323,75	*120	25	50	12,75	QPS16B1-040
45	377,10	364,12	*125	25	70	18,15	QPS16B1-045
50	417,40	404,52	*125	25	70	25,00	QPS16B1-050
57	474,00	461,08	*125	25	70	25,52	QPS16B1-057
76	627,00	614,64	*140	25	80	42,97	QPS16B1-076
95	781,10	768,22	*140	25	80	63,92	QPS16B1-095
114	934,30	921,81	*140	25	80	84,87	QPS16B1-114

Simplex Sprockets

Material: Steel C45 (Fe360B with Z ≥ 31)
* = Weld on hub

D_e	External diameter	mm
D_p	Pitch diameter	mm
D_m	Hub diameter	mm
W	Weight	kg

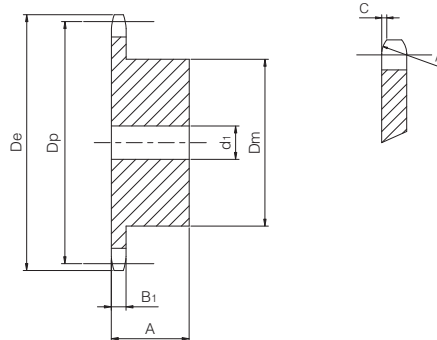
Simplex Sprocket

for chain according to DIN 8187 - ISO/R 606



ISO 20B-1 Pitch 1" 1/4 x 3/4"

SPROCKET		[mm]
Tooth radius r_3		32
Radius width C		3,5
Tooth width B_1		18,5
CHAIN		[mm]
Pitch		31,75
Internal width		19,56
Roller \varnothing		19,05



Z	De [mm]	Dp [mm]	Dm [mm]	d1 [mm]	A [mm]	W [kg]	Part number
8	98,10	82,96	53	20	40	0,85	QPS20B1-008
9	108,00	92,84	63	20	40	1,19	QPS20B1-009
10	117,90	102,74	70	20	40	1,51	QPS20B1-010
11	127,80	112,68	77	20	45	2,04	QPS20B1-011
12	137,80	122,68	88	20	45	2,58	QPS20B1-012
13	147,80	132,65	98	20	45	3,15	QPS20B1-013
14	157,80	142,68	108	20	45	3,78	QPS20B1-014
15	167,90	152,72	118	20	45	4,47	QPS20B1-015
16	177,90	162,75	120	25	50	5,25	QPS20B1-016
17	187,90	172,78	120	25	50	5,61	QPS20B1-017
18	198,00	182,85	120	25	50	6,00	QPS20B1-018
19	208,10	192,91	120	25	50	6,40	QPS20B1-019
20	218,10	202,98	120	25	50	6,84	QPS20B1-020
21	228,20	213,04	140	25	55	8,79	QPS20B1-021
22	238,30	223,11	140	25	55	9,27	QPS20B1-022
23	248,30	233,17	140	25	55	9,77	QPS20B1-023
24	258,40	243,23	140	25	55	10,30	QPS20B1-024
25	268,50	253,33	140	25	55	10,85	QPS20B1-025
26	278,60	263,40	*150	25	55	12,07	QPS20B1-026
27	288,60	273,49	*150	25	55	12,67	QPS20B1-027
28	298,70	283,56	*150	25	55	13,29	QPS20B1-028
29	308,80	293,65	*150	25	55	13,93	QPS20B1-029
30	318,90	303,75	*150	25	55	14,60	QPS20B1-030
31	329,00	313,85	*150	25	55	15,28	QPS20B1-031
32	339,10	323,91	*150	25	55	16,00	QPS20B1-032
33	349,20	334,01	*150	25	55	16,73	QPS20B1-033
34	359,30	344,10	*150	25	55	17,49	QPS20B1-034
35	369,40	354,20	*150	25	55	18,27	QPS20B1-035
36	379,50	364,30	*150	25	55	19,08	QPS20B1-036
37	389,50	374,39	*150	25	55	19,91	QPS20B1-037
38	399,60	384,49	*150	25	55	20,76	QPS20B1-038
39	409,70	394,59	150	25	55	21,73	QPS20B1-039
40	419,80	404,69	*150	25	55	22,53	QPS20B1-040
45	470,30	455,17	*150	25	70	31,79	QPS20B1-045
50	520,80	505,65	*150	25	70	39,00	QPS20B1-050
57	591,50	576,35	*150	25	80	45,79	QPS20B1-057
76	783,50	768,32	*150	25	80	75,81	QPS20B1-076

Material: Steel C45 (Fe360B with Z ≥ 26)

* = Weld on hub

D_e	External diameter	mm
D_p	Pitch diameter	mm
D_m	Hub diameter	mm
W	Weight	kg

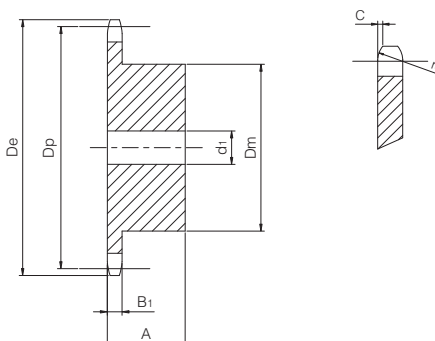
Simplex Sprocket

for chain according to DIN 8187 - ISO/R 606



ISO 24B-1 Pitch 1" 1/2 x 1"

SPROCKET		[mm]
Tooth radius r_3	38	
Radius width C	4	
Tooth width B_1	24,1	
CHAIN		[mm]
Pitch	38,1	
Internal width	25,4	
Roller \varnothing	25,4	



Z	D_e [mm]	D_p [mm]	D_m [mm]	d_1 [mm]	A [mm]	W [kg]	Part number
8	115,00	99,55	58	20	45	1,38	QPS24B1-008
9	126,40	111,40	70	20	45	1,90	QPS24B1-009
10	138,00	123,29	80	20	45	2,47	QPS24B1-010
11	150,00	135,21	90	25	50	3,27	QPS24B1-011
12	162,00	147,22	102	25	50	4,09	QPS24B1-012
13	174,20	159,18	114	25	50	5,00	QPS24B1-013
14	186,20	171,22	128	25	50	6,09	QPS24B1-014
15	198,20	183,26	140	25	50	6,84	QPS24B1-015
16	210,30	195,30	*140	25	55	8,20	QPS24B1-016
17	222,30	207,34	*140	25	55	8,87	QPS24B1-017
18	234,30	219,42	*140	25	55	9,59	QPS24B1-018
19	246,50	231,49	*140	25	55	10,36	QPS24B1-019
20	258,60	243,57	*140	25	55	11,16	QPS24B1-020
21	270,60	255,65	*150	25	60	13,35	QPS24B1-021
22	282,70	267,73	*150	25	60	14,24	QPS24B1-022
23	294,80	279,80	*150	25	60	15,18	QPS24B1-023
24	306,80	291,88	*150	25	60	16,16	QPS24B1-024
25	319,00	304,00	*150	25	60	17,19	QPS24B1-025
26	331,00	316,08	*160	30	60	18,25	QPS24B1-026
27	343,20	328,19	*160	30	60	19,37	QPS24B1-027
28	355,20	340,27	*160	30	60	20,52	QPS24B1-028
29	367,30	352,38	*160	30	60	21,72	QPS24B1-029
30	379,50	364,50	*160	30	60	22,97	QPS24B1-030
31	391,60	376,62	*160	30	60	24,25	QPS24B1-031
32	403,70	388,69	*160	30	60	25,59	QPS24B1-032
33	415,80	400,81	*160	30	60	26,96	QPS24B1-033
34	427,80	412,93	*160	30	60	28,38	QPS24B1-034
35	440,00	425,04	*160	30	60	29,84	QPS24B1-035
36	452,00	437,16	*160	30	60	31,34	QPS24B1-036
37	464,20	449,27	*160	30	60	32,90	QPS24B1-037
38	476,20	461,39	*160	30	60	34,49	QPS24B1-038
39	488,50	473,50	*160	30	60	36,15	QPS24B1-039
40	500,60	485,62	*160	30	60	37,81	QPS24B1-040
45	561,20	546,19	*160	30	90	54,08	QPS24B1-045
50	621,70	606,78	*160	30	90	67,00	QPS24B1-050
57	706,50	691,63	*170	30	100	80,28	QPS24B1-057

Simplex Sprockets

Material: Steel C45 (Fe360B with $Z \geq 16$)

* = Weld on hub

D_e	External diameter	mm
D_p	Pitch diameter	mm
D_m	Hub diameter	mm
W	Weight	kg

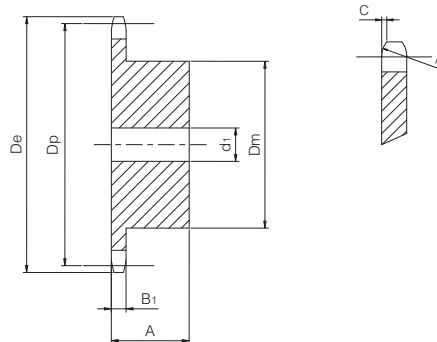
Simplex Sprocket

for chain according to DIN 8187 - ISO/R 606



ISO 28B-1 Pitch 1" 3/4 x 1" 1/4

SPROCKET	[mm]
Tooth radius r_3	44
Radius width C	5
Tooth width B_1	29,4
CHAIN	[mm]
Pitch	44,45
Internal width	30,99
Roller \varnothing	27,94



Z	D_e [mm]	D_p [mm]	D_m [mm]	d_1 [mm]	A [mm]	W [kg]	Part number
8	132,00	116,15	74	25	70	2,86	QPS28B1-008
9	148,40	129,96	88	25	70	4,00	QPS28B1-009
10	162,30	143,85	100	25	70	5,18	QPS28B1-010
11	176,30	157,77	112	25	70	6,51	QPS28B1-011
12	189,50	171,74	125	25	70	8,04	QPS28B1-012
13	204,20	185,74	*125	25	70	8,88	QPS28B1-013
14	218,20	199,76	*125	25	70	9,79	QPS28B1-014
15	232,30	213,79	*125	25	70	10,77	QPS28B1-015
16	246,30	227,84	*160	30	75	14,96	QPS28B1-016
17	260,00	241,91	*160	30	75	16,09	QPS28B1-017
18	274,00	255,98	*160	30	75	17,28	QPS28B1-018
19	289,00	270,06	*160	30	75	18,56	QPS28B1-019
20	303,00	284,15	*160	30	75	19,90	QPS28B1-020
21	317,00	298,24	*160	30	75	21,31	QPS28B1-021
22	331,00	312,34	*160	30	75	22,80	QPS28B1-022
23	345,00	326,44	*160	30	75	24,36	QPS28B1-023
24	359,00	340,55	*160	30	75	26,00	QPS28B1-024
25	373,00	354,66	*160	30	75	27,70	QPS28B1-025
26	387,00	368,77	*160	30	75	29,48	QPS28B1-026
27	401,40	382,88	*160	30	75	31,36	QPS28B1-027
28	416,00	397,00	*160	30	75	33,26	QPS28B1-028
29	430,00	411,12	*160	30	75	35,30	QPS28B1-029
30	444,00	425,24	*160	30	75	37,33	QPS28B1-030
31	458,00	439,37	*180	30	75	40,46	QPS28B1-031
32	472,00	453,49	*180	30	75	43,59	QPS28B1-032
33	486,00	467,62	*180	30	75	45,92	QPS28B1-033
34	500,00	481,75	*180	30	75	48,24	QPS28B1-034
35	514,00	495,88	*180	30	75	50,57	QPS28B1-035
36	529,00	510,01	*180	30	75	53,18	QPS28B1-036
37	543,00	524,14	*180	30	75	55,79	QPS28B1-037
38	557,00	538,27	*180	30	75	58,40	QPS28B1-038
39	571,00	552,40	*180	30	75	61,16	QPS28B1-039
40	585,00	566,54	*180	30	75	63,92	QPS28B1-040

Material: Steel C45 (Fe360B with $Z \geq 13$)
* = Weld on hub

D_e	External diameter	mm
D_p	Pitch diameter	mm
D_m	Hub diameter	mm
W	Weight	kg

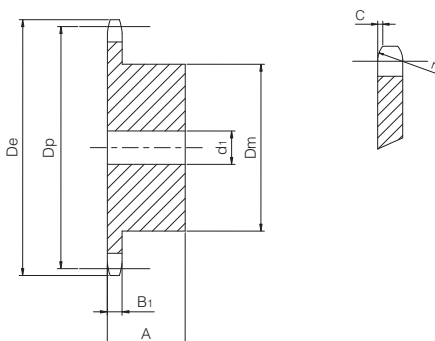
Simplex Sprocket

for chain according to DIN 8187 - ISO/R 606



ISO 32B-1 Pitch 2" x 1" 1/4

SPROCKET		[mm]
Tooth radius r_3	51	
Radius width C	6	
Tooth width B_1	29,4	
CHAIN		[mm]
Pitch	50,8	
Internal width	30,99	
Roller \varnothing	29,21	



Z	D_e [mm]	D_p [mm]	D_m [mm]	d_1 [mm]	A [mm]	W [kg]	Part number
8	153,00	132,69	82	25	80	4,20	QPS32B1-008
9	169,00	148,54	88	25	80	5,78	QPS32B1-009
10	185,00	164,44	104	25	80	7,60	QPS32B1-010
11	200,80	180,34	120	30	80	9,26	QPS32B1-011
12	216,80	196,29	*133	30	80	10,91	QPS32B1-012
13	232,80	212,29	*145	30	80	13,05	QPS32B1-013
14	248,80	228,29	*145	30	80	14,25	QPS32B1-014
15	264,80	244,30	*145	30	80	15,53	QPS32B1-015
16	280,90	260,40	*160	30	90	19,87	QPS32B1-016
17	296,90	276,40	*160	30	90	21,35	QPS32B1-017
18	313,00	292,55	*160	30	90	22,92	QPS32B1-018
19	329,10	308,66	*160	30	90	24,53	QPS32B1-019
20	345,20	324,71	*180	30	90	28,50	QPS32B1-020
21	361,30	340,82	*180	30	90	30,36	QPS32B1-021
22	377,50	356,98	*180	30	90	32,31	QPS32B1-022
23	393,60	373,08	*180	30	90	34,36	QPS32B1-023
24	409,70	389,18	*180	30	90	36,50	QPS32B1-024
25	425,80	405,33	*180	30	90	38,74	QPS32B1-025
26	441,90	421,44	*180	30	90	41,07	QPS32B1-026
27	458,10	437,59	*180	30	90	43,54	QPS32B1-027
28	474,20	453,69	*180	30	90	46,01	QPS32B1-028
29	490,40	469,90	*180	30	90	48,68	QPS32B1-029
30	506,50	486,00	*180	30	90	51,34	QPS32B1-030
32	538,80	518,26	*180	30	90	59,89	QPS32B1-032
35	589,50	566,72	*180	30	90	69,16	QPS32B1-035
38	635,50	615,14	*180	30	90	79,28	QPS32B1-038
40	670,30	647,49	*180	30	90	86,50	QPS32B1-040

Simplex Sprockets

Material: Steel C45 (Fe360B with $Z \geq 12$)
* = Weld on hub

D_e	External diameter	mm
D_p	Pitch diameter	mm
D_m	Hub diameter	mm
W	Weight	kg

DUPLEX SPROCKETS

Duplex Sprocket

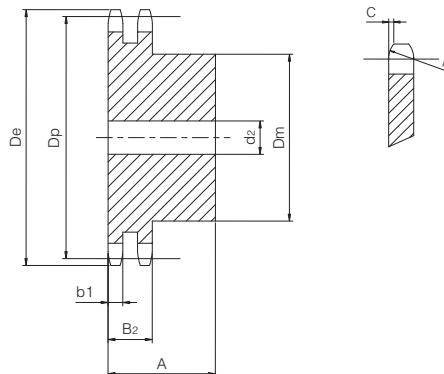
for chain according to DIN 8187 - ISO/R 606



ISO 05B-2

Pitch 8 x 3 mm

SPROCKET	[mm]
Tooth radius r_3	8
Radius width C	1
Tooth width b_1	2,7
Tooth width B_2	8,3
CHAIN	[mm]
Pitch	8
Internal width	3
Roller \varnothing	5



Z	D_e [mm]	D_p [mm]	D_m [mm]	d_2 [mm]	A [mm]	W [kg]	Part number
8	24,00	20,90	12	8	18	0,02	QPD05B2-008
9	26,60	23,39	15	8	18	0,03	QPD05B2-009
10	29,20	25,89	17	8	18	0,03	QPD05B2-010
11	31,70	28,39	19	8	18	0,04	QPD05B2-011
12	34,20	30,91	21	8	18	0,05	QPD05B2-012
13	36,70	33,42	24	8	18	0,07	QPD05B2-013
14	39,20	35,95	26	8	18	0,08	QPD05B2-014
15	41,70	38,48	29	8	18	0,10	QPD05B2-015
16	44,30	41,01	32	10	20	0,13	QPD05B2-016
17	46,80	43,53	34	10	20	0,15	QPD05B2-017
18	49,30	46,07	37	0	20	0,17	QPD05B2-018
19	51,90	48,61	39	10	20	0,20	QPD05B2-019
20	54,40	51,14	40	10	20	0,21	QPD05B2-020
21	57,00	53,68	40	10	20	0,25	QPD05B2-021
22	59,50	56,21	40	10	20	0,26	QPD05B2-022
23	62,00	58,75	40	10	20	0,28	QPD05B2-023
24	64,60	61,29	40	10	20	0,23	QPD05B2-024
25	67,50	63,83	40	10	20	0,31	QPD05B2-025
26	69,50	66,37	50	12	22	0,38	QPD05B2-026
27	72,20	68,91	50	12	22	0,40	QPD05B2-027
28	74,80	71,45	50	12	22	0,42	QPD05B2-028
29	77,30	73,99	50	12	22	0,44	QPD05B2-029
30	79,80	76,53	50	12	22	0,45	QPD05B2-030
31	82,40	79,08	60	12	22	0,52	QPD05B2-031
32	84,90	81,61	60	12	22	0,59	QPD05B2-032
33	87,50	84,16	60	12	22	0,61	QPD05B2-033
34	90,00	86,70	60	12	22	0,63	QPD05B2-034
35	92,50	89,25	60	12	22	0,65	QPD05B2-035
36	95,00	91,79	60	12	22	0,67	QPD05B2-036
37	97,60	94,33	60	12	22	0,69	QPD05B2-037
38	100,20	96,88	60	12	22	0,72	QPD05B2-038
39	102,70	99,42	60	12	22	0,75	QPD05B2-039
40	105,30	101,97	60	12	22	0,77	QPD05B2-040

Material: Steel C45

D_e	External diameter	mm
D_p	Pitch diameter	mm
D_m	Hub diameter	mm
W	Weight	kg

Duplex Sprocket

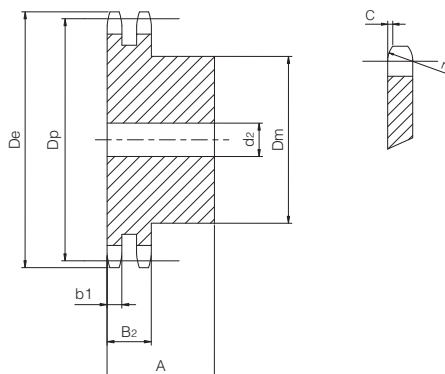
for chain according to DIN 8187 - ISO/R 606

ISO 06B-2

Pitch 3/8" x 7/32"



SPROCKET	[mm]
Tooth radius r_3	10
Radius width C	1
Tooth width b_1	5,2
Tooth width B_2	15,4
CHAIN	[mm]
Pitch	9,525
Internal width	5,72
Roller \varnothing	6,35



Z	De [mm]	Dp [mm]	Dm [mm]	d2 [mm]	A [mm]	W [kg]	Part number
8	28,00	24,89	15	8	22	0,04	QPD06B2-008
9	31,00	27,85	18	8	22	0,05	QPD06B2-009
10	34,00	30,82	20	8	22	0,07	QPD06B2-010
11	37,00	33,80	22	10	25	0,10	QPD06B2-011
12	40,00	36,80	25	10	25	0,13	QPD06B2-012
13	43,00	39,79	28	10	25	0,16	QPD06B2-013
14	46,30	42,80	31	10	25	0,20	QPD06B2-014
15	49,30	45,81	34	10	25	0,24	QPD06B2-015
16	52,30	48,82	37	12	30	0,27	QPD06B2-016
17	55,30	51,83	40	12	30	0,32	QPD06B2-017
18	58,30	54,85	43	12	30	0,38	QPD06B2-018
19	61,30	57,87	46	12	30	0,42	QPD06B2-019
20	64,30	60,89	49	12	30	0,48	QPD06B2-020
21	68,00	63,91	52	12	30	0,52	QPD06B2-021
22	71,00	66,93	55	12	30	0,58	QPD06B2-022
23	73,50	69,95	58	12	30	0,64	QPD06B2-023
24	77,00	72,97	61	12	30	0,71	QPD06B2-024
25	80,00	76,02	64	12	30	0,79	QPD06B2-025
26	83,00	79,02	67	12	30	0,87	QPD06B2-026
27	86,00	82,02	70	12	30	0,94	QPD06B2-027
28	89,00	85,07	73	12	30	1,03	QPD06B2-028
29	92,00	88,09	76	12	30	1,11	QPD06B2-029
30	94,70	91,12	79	12	30	1,20	QPD06B2-030
31	98,30	94,15	80	16	30	1,27	QPD06B2-031
32	101,30	97,17	80	16	30	1,32	QPD06B2-032
33	104,30	100,20	80	16	30	1,37	QPD06B2-033
34	107,30	103,23	80	16	30	1,43	QPD06B2-034
35	110,40	106,26	80	16	30	1,49	QPD06B2-035
36	113,40	109,29	90	16	30	1,70	QPD06B2-036
37	116,40	112,32	90	16	30	1,76	QPD06B2-037
38	119,50	115,35	90	16	30	1,81	QPD06B2-038
39	122,50	118,37	90	16	30	1,88	QPD06B2-039
40	125,50	121,40	90	16	30	1,95	QPD06B2-040
45	140,70	136,55	*90	16	40	3,15	QPD06B2-045
50	155,70	151,69	*90	16	40	3,50	QPD06B2-050
57	176,90	172,91	*90	16	40	4,16	QPD06B2-057
76	234,90	230,49	*90	16	40	6,23	QPD06B2-076
95	292,50	288,08	*90	16	40	9,76	QPD06B2-095
114	349,50	345,68	*90	16	40	13,29	QPD06B2-114

Material: Steel C45 (Fe360B with Z ≥ 45)

* = Weld on hub

D_e	External diameter	mm
D_p	Pitch diameter	mm
D_m	Hub diameter	mm
W	Weight	kg

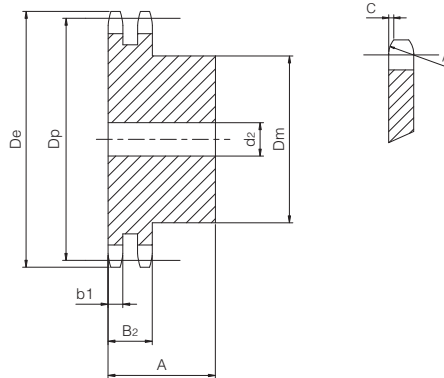
Duplex Sprocket

for chain according to DIN 8187 - ISO/R 606



ISO 08B-2 Pitch 1/2" x 5/16"

SPROCKET	[mm]
Tooth radius r_3	13
Radius width C	1,3
Tooth width b_1	7
Tooth width B_2	21
CHAIN	[mm]
Pitch	12,7
Internal width	7,75
Roller \varnothing	8,51



Z	D _e [mm]	D _p [mm]	D _m [mm]	d ₂ [mm]	A [mm]	W [kg]	Part number
8	37,00	33,18	20	10	32	0,09	QPD08B2-008
9	41,00	37,13	24	10	32	0,13	QPD08B2-009
10	45,20	41,10	28	10	32	0,18	QPD08B2-010
11	48,70	45,07	32	12	35	0,24	QPD08B2-011
12	53,00	49,07	35	12	35	0,30	QPD08B2-012
13	57,40	53,06	38	12	35	0,36	QPD08B2-013
14	61,80	57,07	42	12	35	0,44	QPD08B2-014
15	65,50	61,09	46	12	35	0,52	QPD08B2-015
16	69,50	65,10	50	14	35	0,63	QPD08B2-016
17	73,60	69,11	54	14	35	0,73	QPD08B2-017
18	77,80	73,14	58	14	35	0,85	QPD08B2-018
19	81,70	77,16	62	14	35	0,97	QPD08B2-019
20	85,80	81,19	66	14	35	1,10	QPD08B2-020
21	89,70	85,22	70	16	40	1,29	QPD08B2-021
22	93,80	89,24	70	16	40	1,37	QPD08B2-022
23	98,20	93,27	70	16	40	1,46	QPD08B2-023
24	101,80	97,29	75	16	40	1,64	QPD08B2-024
25	105,80	101,33	80	16	40	1,82	QPD08B2-025
26	110,00	105,36	85	16	40	2,02	QPD08B2-026
27	114,00	109,40	85	16	40	2,12	QPD08B2-027
28	118,00	113,42	90	16	40	2,34	QPD08B2-028
29	122,00	117,46	95	16	40	2,56	QPD08B2-029
30	126,10	121,50	100	16	40	2,79	QPD08B2-030
31	130,20	125,54	100	20	40	2,87	QPD08B2-031
32	134,30	129,56	100	20	40	3,00	QPD08B2-032
33	138,40	133,60	100	20	40	3,13	QPD08B2-033
34	142,60	137,64	100	20	40	3,26	QPD08B2-034
35	146,70	141,68	100	20	40	3,40	QPD08B2-035
36	151,00	145,72	100	20	40	3,54	QPD08B2-036
37	154,60	149,76	100	20	40	3,69	QPD08B2-037
38	158,60	153,80	100	20	40	3,84	QPD08B2-038
39	162,70	157,83	100	20	40	4,00	QPD08B2-039
40	166,80	161,87	100	20	40	4,15	QPD08B2-040
45	188,00	182,07	*108	20	50	6,26	QPD08B2-045
50	208,30	202,26	*108	20	50	7,30	QPD08B2-050
57	236,40	230,54	*108	20	50	8,65	QPD08B2-057
76	313,30	307,32	*108	20	55	13,30	QPD08B2-076
95	390,10	384,11	*110	20	55	21,13	QPD08B2-095
114	466,90	460,91	*110	20	55	28,96	QPD08B2-114

Material: Steel C45 (Fe360B with Z ≥ 45)

* = Weld on hub

D _e	External diameter	mm
D _p	Pitch diameter	mm
D _m	Hub diameter	mm
W	Weight	kg

Duplex Sprocket

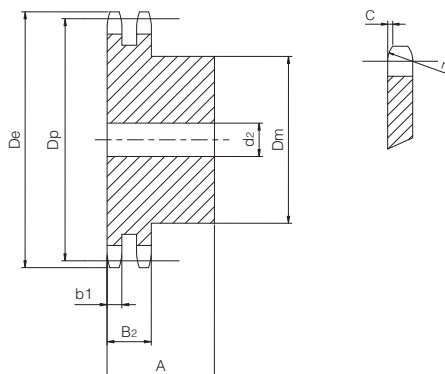
for chain according to DIN 8187 - ISO/R 606

ISO 10B-2

Pitch 5/8" x 3/8"



SPROCKET	[mm]
Tooth radius r_3	16
Radius width C	1,6
Tooth width b_1	9
Tooth width B_2	25,5
CHAIN	[mm]
Pitch	15,875
Internal width	9,65
Roller \varnothing	10,16



Z	De [mm]	Dp [mm]	Dm [mm]	d2 [mm]	A [mm]	W [kg]	Part number
8	47,00	41,48	25	12	40	0,19	QPD10B2-008
9	52,60	46,42	30	12	40	0,27	QPD10B2-009
10	57,50	51,37	35	12	40	0,36	QPD10B2-010
11	63,00	56,34	39	14	40	0,43	QPD10B2-011
12	68,00	61,34	44	14	40	0,55	QPD10B2-012
13	73,00	66,32	49	14	40	0,68	QPD10B2-013
14	78,00	71,34	54	14	40	0,82	QPD10B2-014
15	83,00	76,36	59	14	40	0,97	QPD10B2-015
16	88,00	81,37	64	16	45	1,26	QPD10B2-016
17	93,00	86,39	69	16	45	1,46	QPD10B2-017
18	98,30	91,42	74	16	45	1,67	QPD10B2-018
19	103,30	96,45	79	16	45	1,90	QPD10B2-019
20	108,40	101,49	84	16	45	2,14	QPD10B2-020
21	113,40	106,52	85	16	45	2,27	QPD10B2-021
22	118,00	111,55	90	16	45	2,54	QPD10B2-022
23	123,50	116,58	95	16	45	2,82	QPD10B2-023
24	128,30	121,62	100	16	45	3,11	QPD10B2-024
25	134,00	126,66	105	16	45	3,15	QPD10B2-025
26	139,00	131,70	110	20	45	3,74	QPD10B2-026
27	144,00	136,75	110	20	45	3,94	QPD10B2-027
28	148,70	141,78	115	20	45	4,28	QPD10B2-028
29	153,80	146,83	115	20	45	4,50	QPD10B2-029
30	158,80	151,87	120	20	45	4,87	QPD10B2-030
31	163,90	156,92	120	20	45	5,10	QPD10B2-031
32	168,90	161,95	120	20	45	5,34	QPD10B2-032
33	174,50	167,00	120	20	45	5,59	QPD10B2-033
34	179,00	172,05	120	20	45	5,84	QPD10B2-034
35	184,10	177,10	120	20	45	6,11	QPD10B2-035
36	189,10	182,15	120	20	45	6,38	QPD10B2-036
37	194,20	187,20	120	20	45	6,66	QPD10B2-037
38	199,20	192,24	120	20	45	6,95	QPD10B2-038
39	204,20	197,29	120	20	45	7,25	QPD10B2-039
40	209,30	202,34	120	20	45	7,55	QPD10B2-040
45	235,00	227,58	*120	20	50	10,32	QPD10B2-045
50	260,30	252,82	*120	20	50	12,00	QPD10B2-050
57	296,00	288,18	*130	20	50	15,74	QPD10B2-057
76	392,10	384,15	*130	20	63	24,93	QPD10B2-076
95	488,50	480,14	*130	20	63	38,90	QPD10B2-095

Duplex Sprockets

Material: Steel C45 (Fe360B with Z ≥ 45)

* = Weld on hub

D_e	External diameter	mm
D_p	Pitch diameter	mm
D_m	Hub diameter	mm
W	Weight	kg

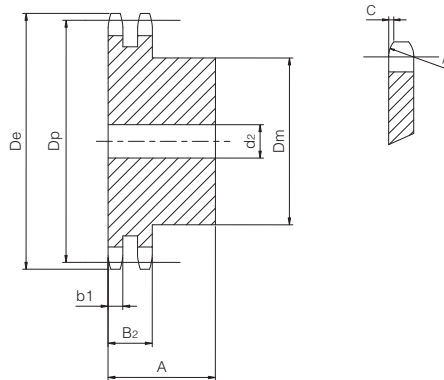
Duplex Sprocket

for chain according to DIN 8187 - ISO/R 606



ISO 12B-2 Pitch 3/4" x 7/16"

SPROCKET	[mm]
Tooth radius r_3	19
Radius width C	2
Tooth width b_1	10,8
Tooth width B_2	30,3
CHAIN	[mm]
Pitch	19,05
Internal width	11,68
Roller \varnothing	12,07



Z	D _e [mm]	D _p [mm]	D _m [mm]	d ₂ [mm]	A [mm]	W [kg]	Part number
8	57,30	49,78	31	12	45	0,31	QPD12B2-008
9	62,00	55,70	37	12	45	0,44	QPD12B2-009
10	69,00	61,64	42	12	45	0,59	QPD12B2-010
11	75,00	67,61	47	16	50	0,81	QPD12B2-011
12	81,50	73,60	53	16	50	1,02	QPD12B2-012
13	87,50	79,59	59	16	50	1,25	QPD12B2-013
14	93,60	85,61	65	16	50	1,46	QPD12B2-014
15	99,80	91,63	71	16	50	1,74	QPD12B2-015
16	105,50	97,65	77	20	50	2,03	QPD12B2-016
17	111,50	103,67	83	20	50	2,36	QPD12B2-017
18	118,00	109,71	89	20	50	2,70	QPD12B2-018
19	124,20	115,75	95	20	50	3,07	QPD12B2-019
20	129,70	121,78	100	20	50	3,43	QPD12B2-020
21	136,00	127,82	100	20	50	3,69	QPD12B2-021
22	141,00	133,86	100	20	50	3,97	QPD12B2-022
23	149,00	139,90	110	20	50	4,51	QPD12B2-023
24	153,90	145,94	110	20	50	4,81	QPD12B2-024
25	160,00	152,00	120	20	50	5,41	QPD12B2-025
26	165,90	158,04	120	20	50	5,73	QPD12B2-026
27	172,30	164,09	120	20	50	6,08	QPD12B2-027
28	178,00	170,13	120	20	50	6,43	QPD12B2-028
29	184,10	176,19	120	20	50	6,80	QPD12B2-029
30	190,50	182,25	120	20	50	7,19	QPD12B2-030
31	196,30	188,31	130	20	50	7,59	QPD12B2-031
32	203,30	194,35	130	20	50	8,00	QPD12B2-032
33	209,30	200,40	130	20	50	8,42	QPD12B2-033
34	214,60	206,46	130	20	50	8,86	QPD12B2-034
35	221,00	212,52	130	20	50	9,31	QPD12B2-035
36	226,80	218,58	130	25	50	9,71	QPD12B2-036
37	232,90	224,64	130	25	50	10,19	QPD12B2-037
38	239,00	230,69	130	25	50	10,78	QPD12B2-038
39	245,10	236,75	130	25	50	11,19	QPD12B2-039
40	251,30	242,81	130	25	50	11,71	QPD12B2-040
45	282,50	273,09	*140	25	63	16,35	QPD12B2-045
50	312,30	303,39	*140	25	63	20,00	QPD12B2-050
57	355,40	345,81	*140	25	63	24,43	QPD12B2-057
76	469,90	460,98	*140	25	63	41,88	QPD12B2-076
95	585,10	576,17	*140	25	63	63,79	QPD12B2-095
114	700,60	691,36	*140	25	63	85,70	QPD12B2-114

Material: Steel C45 (Fe360B with Z ≥ 45)

* = Weld on hub

D _e	External diameter	mm
D _p	Pitch diameter	mm
D _m	Hub diameter	mm
W	Weight	kg

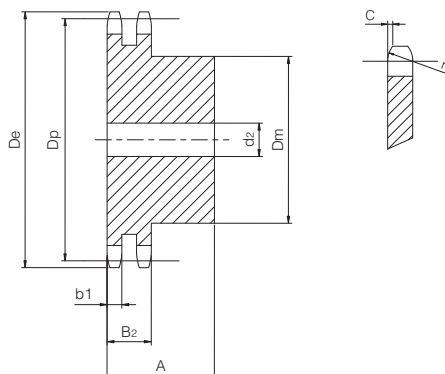
Duplex Sprocket

for chain according to DIN 8187 - ISO/R 606



ISO 16B-2 Pitch 1" x 17,02 mm

SPROCKET	[mm]
Tooth radius r_3	26
Radius width C	2,5
Tooth width b_1	15,8
Tooth width B_2	47,7
CHAIN	[mm]
Pitch	25,4
Internal width	17,02
Roller \varnothing	15,88



Z	De [mm]	Dp [mm]	Dm [mm]	d2 [mm]	A [mm]	W [kg]	Part number
8	77,00	66,37	42	16	65	0,81	QPD16B2-008
9	85,00	74,27	50	16	65	1,15	QPD16B2-009
10	93,00	82,19	56	16	65	1,52	QPD16B2-010
11	101,50	90,14	64	20	70	2,08	QPD16B2-011
12	109,00	98,14	72	20	70	2,60	QPD16B2-012
13	117,00	106,12	80	20	70	3,18	QPD16B2-013
14	125,00	114,15	88	20	70	3,82	QPD16B2-014
15	133,00	122,17	96	20	70	4,51	QPD16B2-015
16	141,00	130,20	104	20	70	5,17	QPD16B2-016
17	149,00	138,22	112	20	70	5,98	QPD16B2-017
18	157,00	146,28	120	20	70	6,84	QPD16B2-018
19	165,20	154,33	128	20	70	7,76	QPD16B2-019
20	173,20	162,38	130	20	70	8,52	QPD16B2-020
21	181,20	170,43	130	25	70	9,24	QPD16B2-021
22	189,30	178,48	*130	25	70	10,00	QPD16B2-022
23	197,50	186,53	*130	25	70	10,80	QPD16B2-023
24	205,50	194,59	*130	25	70	11,64	QPD16B2-024
25	213,50	202,66	*130	25	70	12,52	QPD16B2-025
26	221,60	210,72	*130	25	70	13,43	QPD16B2-026
27	229,60	218,79	*130	25	70	14,38	QPD16B2-027
28	237,70	226,85	*130	25	70	15,38	QPD16B2-028
29	245,80	234,92	*130	25	70	16,41	QPD16B2-029
30	254,00	243,00	*130	25	70	17,48	QPD16B2-030
31	262,00	251,08	*140	25	70	18,96	QPD16B2-031
32	270,00	259,13	*140	25	70	20,10	QPD16B2-032
33	278,50	267,21	*140	25	70	21,29	QPD16B2-033
34	287,00	275,28	*140	25	70	22,21	QPD16B2-034
35	296,20	283,36	*140	25	70	23,77	QPD16B2-035
36	304,60	291,44	*140	25	70	25,07	QPD16B2-036
37	312,60	299,51	*140	25	70	26,41	QPD16B2-037
38	320,70	307,59	*140	25	70	27,79	QPD16B2-038
39	328,80	315,67	*140	25	70	29,20	QPD16B2-039
40	336,90	323,75	*140	25	70	30,65	QPD16B2-040
45	377,10	364,12	*150	25	80	38,44	QPD16B2-045
50	417,40	404,52	*150	25	80	48,00	QPD16B2-050
57	474,00	461,08	*160	25	90	63,45	QPD16B2-057
76	627,00	614,64	*160	25	90	110,79	QPD16B2-076
95	781,10	768,22	*160	25	116	178,48	QPD16B2-095
114	934,30	921,81	*160	25	116	246,17	QPD16B2-114

Material: Steel C45 (Fe360B with Z ≥ 22)
* = Weld on hub

De External diameter mm
Dp Pitch diameter mm
Dm Hub diameter mm
W Weight kg

Duplex Sprockets

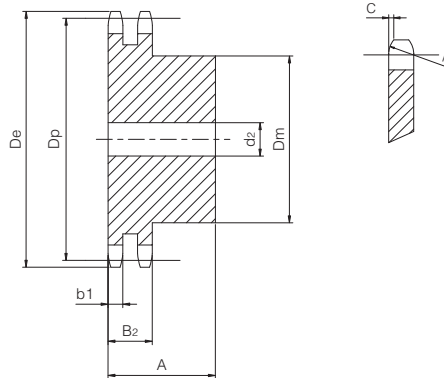
Duplex Sprocket

for chain according to DIN 8187 - ISO/R 606



ISO 20B-2 Pitch 1" 1/4 x 3/4"

SPROCKET	[mm]
Tooth radius r_3	32
Radius width C	3,5
Tooth width b_1	18,2
Tooth width B_2	54,6
CHAIN	[mm]
Pitch	31,75
Internal width	19,56
Roller \varnothing	19,05



Z	D _e [mm]	D _p [mm]	D _m [mm]	d ₂ [mm]	A [mm]	W [kg]	Part number
8	98,10	82,96	53	20	75	1,58	QPD20B2-008
9	108,00	92,84	63	20	75	2,19	QPD20B2-009
10	117,90	102,74	70	20	75	2,85	QPD20B2-010
11	127,80	112,68	80	20	80	3,72	QPD20B2-011
12	137,80	122,68	90	20	80	4,66	QPD20B2-012
13	147,80	132,65	100	20	80	5,70	QPD20B2-013
14	157,80	142,68	110	20	80	6,84	QPD20B2-014
15	167,90	152,72	120	20	80	8,08	QPD20B2-015
16	177,90	162,75	120	25	80	8,90	QPD20B2-016
17	187,90	172,78	120	25	80	9,92	QPD20B2-017
18	198,00	182,85	*120	25	80	11,00	QPD20B2-018
19	208,10	192,91	*120	25	80	12,16	QPD20B2-019
20	218,10	202,98	*120	25	80	13,38	QPD20B2-020
21	228,20	213,04	*140	25	80	15,49	QPD20B2-021
22	238,30	223,11	*140	25	80	16,86	QPD20B2-022
23	248,30	233,17	*140	25	80	18,29	QPD20B2-023
24	258,40	243,23	*140	25	80	19,79	QPD20B2-024
25	268,50	253,33	*140	25	80	21,36	QPD20B2-025
26	278,60	263,40	*150	25	80	23,45	QPD20B2-026
27	288,60	273,49	*150	25	80	25,15	QPD20B2-027
28	298,70	283,56	*150	25	80	26,93	QPD20B2-028
29	308,80	293,65	*150	25	80	28,77	QPD20B2-029
30	318,90	303,75	*150	25	80	30,69	QPD20B2-030
31	329,00	313,85	*150	25	80	32,67	QPD20B2-031
32	339,10	323,91	*150	25	80	34,72	QPD20B2-032
33	349,20	334,01	*150	25	80	36,88	QPD20B2-033
34	359,30	344,10	*150	25	80	39,03	QPD20B2-034
35	369,40	354,20	*150	25	80	41,28	QPD20B2-035
36	379,50	364,30	*150	30	80	43,61	QPD20B2-036
37	389,50	374,39	*150	30	80	46,04	QPD20B2-037
38	399,60	384,49	*150	30	80	48,46	QPD20B2-038
39	409,70	394,59	*150	30	80	51,03	QPD20B2-039
40	419,80	404,69	*150	30	80	53,60	QPD20B2-040
45	470,30	455,17	*160	30	90	71,32	QPD20B2-045
76	783,50	768,32	*180	30	100	200,96	QPD20B2-076

Material: Steel C45 (Fe360B with Z ≥ 18)
* = Weld on hub

D _e	External diameter	mm
D _p	Pitch diameter	mm
D _m	Hub diameter	mm
W	Weight	kg

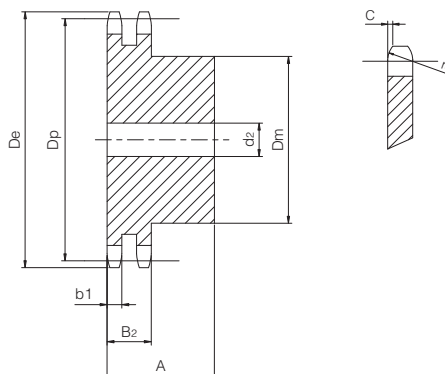
Duplex Sprocket

for chain according to DIN 8187 - ISO/R 606



ISO 24B-2 Pitch 1" 1/2 x 1"

SPROCKET	[mm]
Tooth radius r_3	38
Radius width C	4
Tooth width b_1	23,6
Tooth width B_2	72
CHAIN	[mm]
Pitch	38,1
Internal width	25,4
Roller \varnothing	25,4



Z	De [mm]	Dp [mm]	Dm [mm]	d2 [mm]	A [mm]	W [kg]	Part number
8	115,00	99,55	58	25	95	2,70	QPD24B2-008
9	126,40	111,40	70	25	95	3,79	QPD24B2-009
10	138,00	123,29	80	25	95	5,01	QPD24B2-010
11	150,00	135,21	90	25	100	6,62	QPD24B2-011
12	162,00	147,22	102	25	100	8,28	QPD24B2-012
13	174,20	159,18	114	25	100	10,13	QPD24B2-013
14	186,20	171,22	128	25	100	12,24	QPD24B2-014
15	198,20	183,26	140	25	100	14,08	QPD24B2-015
16	210,30	195,30	*140	25	100	15,88	QPD24B2-016
17	222,30	207,34	*150	25	100	17,80	QPD24B2-017
18	234,30	219,42	*160	25	100	21,08	QPD24B2-018
19	246,50	231,49	*160	25	100	23,26	QPD24B2-019
20	258,60	243,57	*160	25	100	25,57	QPD24B2-020
21	270,60	255,65	*160	25	100	28,01	QPD24B2-021
22	282,70	267,73	*160	25	100	30,59	QPD24B2-022
23	294,80	279,80	*160	25	100	33,29	QPD24B2-023
24	306,80	291,88	*160	25	100	36,13	QPD24B2-024
25	319,00	304,00	*160	25	100	39,09	QPD24B2-025
26	331,00	316,08	*160	30	100	42,19	QPD24B2-026
27	343,20	328,19	*160	30	100	45,41	QPD24B2-027
28	355,20	340,27	*160	30	100	48,77	QPD24B2-028
29	367,30	352,38	*160	30	100	52,26	QPD24B2-029
30	379,50	364,50	*160	30	100	55,88	QPD24B2-030
31	391,60	376,62	*170	30	100	59,19	QPD24B2-031
32	403,70	388,69	*170	30	100	63,07	QPD24B2-032
33	415,80	400,81	*170	30	100	67,08	QPD24B2-033
34	427,80	412,93	*170	30	100	71,21	QPD24B2-034
35	440,00	425,04	*170	30	100	75,49	QPD24B2-035
36	452,00	437,16	*170	30	100	79,89	QPD24B2-036
37	464,20	449,27	*170	30	100	84,43	QPD24B2-037
38	476,20	461,39	*170	30	100	89,09	QPD24B2-038
39	488,50	473,50	*170	30	100	93,95	QPD24B2-039
40	500,60	485,62	*170	30	100	98,80	QPD24B2-040

Duplex Sprockets

Material: Steel C45 (Fe360B with Z ≥ 16)

* = Weld on hub

D_e	External diameter	mm
D_p	Pitch diameter	mm
D_m	Hub diameter	mm
W	Weight	kg

Duplex Sprocket

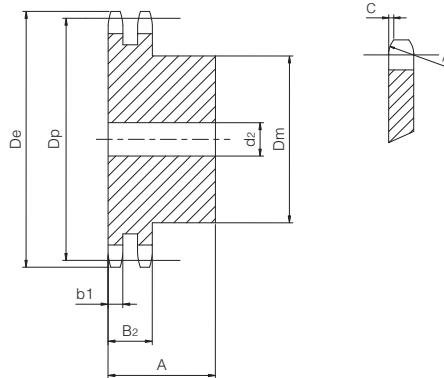
for chain according to DIN 8187 - ISO/R 606



ISO 28B-2

Pitch 1" 3/4 x 1" 1/4

SPROCKET	[mm]
Tooth radius r_3	44
Radius width C	5
Tooth width b_1	28,8
Tooth width B_2	88,4
CHAIN	[mm]
Pitch	44,45
Internal width	30,99
Roller \varnothing	27,94



Z	D _e [mm]	D _p [mm]	D _m [mm]	d ₂ [mm]	A [mm]	W [kg]	Part number
8	132,00	116,15	74	25	120	4,75	QPD28B2-008
9	148,40	129,96	88	25	120	6,66	QPD28B2-009
10	162,30	143,85	100	25	120	8,79	QPD28B2-010
11	176,30	157,77	112	25	120	11,19	QPD28B2-011
12	189,50	171,74	125	25	120	13,91	QPD28B2-012
13	204,20	185,74	*125	25	120	16,25	QPD28B2-013
14	218,20	199,76	*125	25	120	18,81	QPD28B2-014
15	232,30	213,79	*145	25	120	22,64	QPD28B2-015
16	246,30	227,84	*160	30	120	26,52	QPD28B2-016
17	260,00	241,91	*160	30	120	29,74	QPD28B2-017
18	274,00	255,98	*160	30	120	33,17	QPD28B2-018
19	289,00	270,06	*180	30	120	38,14	QPD28B2-019
20	303,00	284,15	*180	30	120	42,02	QPD28B2-020
21	317,00	298,24	*180	30	120	49,10	QPD28B2-021
22	331,00	312,34	*180	30	120	50,40	QPD28B2-022
23	345,00	326,44	*180	30	120	54,92	QPD28B2-023
24	359,00	340,55	*180	30	120	59,77	QPD28B2-024
25	373,00	354,66	*180	30	120	64,62	QPD28B2-025
26	387,00	368,77	*180	30	120	69,28	QPD28B2-026
27	401,40	382,88	*180	30	120	74,78	QPD28B2-027
28	416,00	397,00	*180	30	120	80,28	QPD28B2-028
29	430,00	411,12	*180	30	120	86,23	QPD28B2-029
30	444,00	425,24	*180	30	120	92,17	QPD28B2-030
31	458,00	439,37	*180	30	120	109,67	QPD28B2-031
35	514,00	495,88	*200	30	120	127,17	QPD28B2-035
38	557,00	538,27	*200	30	120	149,90	QPD28B2-038
40	585,00	566,54	*200	30	120	167,15	QPD28B2-040

Material: Steel C45 (Fe360B with Z ≥ 13)
* = Weld on hub

D _e	External diameter	mm
D _p	Pitch diameter	mm
D _m	Hub diameter	mm
W	Weight	kg

Duplex Sprocket

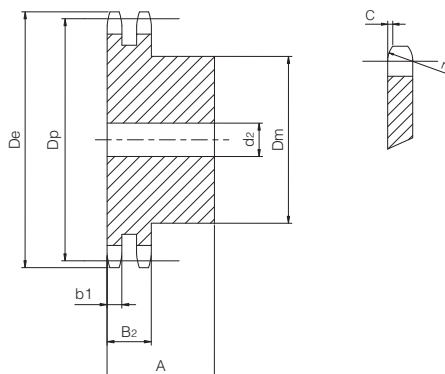
for chain according to DIN 8187 - ISO/R 606



ISO 32B-2

Pitch 2" x 1" 1/4

SPROCKET	[mm]
Tooth radius r_3	51
Radius width C	6
Tooth width b_1	28,8
Tooth width B_2	87,4
CHAIN	[mm]
Pitch	50,8
Internal width	30,99
Roller \varnothing	29,21



Z	D _e [mm]	D _p [mm]	D _m [mm]	d ₂ [mm]	A [mm]	W [kg]	Part number
8	153,00	132,69	82	30	120	6,65	QPD32B2-008
9	169,00	148,54	88	30	120	9,14	QPD32B2-009
10	185,00	164,44	104	30	120	12,01	QPD32B2-010
11	200,80	180,34	120	30	120	14,75	QPD32B2-011
12	216,80	196,29	*133	30	120	17,95	QPD32B2-012
13	232,80	212,29	*145	30	120	21,68	QPD32B2-013
14	248,80	228,29	*145	30	120	25,03	QPD32B2-014
15	264,80	244,30	*160	30	120	29,30	QPD32B2-015
16	280,90	260,40	*160	30	120	33,21	QPD32B2-016
17	296,90	276,40	*180	30	120	38,76	QPD32B2-017
18	313,00	292,55	*180	30	120	43,24	QPD32B2-018
19	329,10	308,66	*200	30	120	49,52	QPD32B2-019
20	345,20	324,71	*200	30	120	54,56	QPD32B2-020
21	361,30	340,82	*200	30	120	59,87	QPD32B2-021
22	377,50	356,98	*200	30	120	65,47	QPD32B2-022
23	393,60	373,08	*200	30	120	71,35	QPD32B2-023
24	409,70	389,18	*200	30	120	77,52	QPD32B2-024
25	425,80	405,33	*200	30	120	83,66	QPD32B2-025
26	441,90	421,44	*200	30	120	90,69	QPD32B2-026
27	458,10	437,59	*200	30	120	97,84	QPD32B2-027
28	474,20	453,69	*200	30	120	104,99	QPD32B2-028
30	506,50	486,00	*200	30	120	120,41	QPD32B2-030

Duplex Sprockets

Material: Steel C45 (Fe360B with Z ≥ 12)
* = Weld on hub

D _e	External diameter	mm
D _p	Pitch diameter	mm
D _m	Hub diameter	mm
W	Weight	kg

TRIPLEX SPROCKETS

Triplex Sprocket

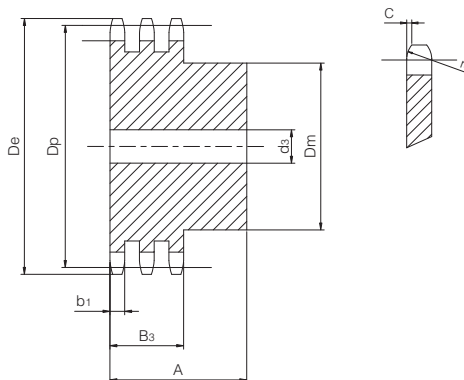
for chain according to DIN 8187 - ISO/R 606



ISO 06B-3

Pitch 3/8" x 7/32"

SPROCKET	[mm]
Tooth radius r_3	10
Radius width C	1
Tooth width b_1	5,2
Tooth width B_3	25,6
CHAIN	[mm]
Pitch	9,525
Internal width	5,72
Roller ϕ	6,35



Z	D_e [mm]	D_p [mm]	D_m [mm]	d_3 [mm]	A [mm]	W [kg]	Part number
8	28,00	24,89	15	8	32	0,05	QPT06B3-008
9	31,00	27,85	18	8	32	0,07	QPT06B3-009
10	34,00	30,82	20	10	32	0,09	QPT06B3-010
11	37,00	33,80	22	10	35	0,11	QPT06B3-011
12	40,00	36,80	25	10	35	0,15	QPT06B3-012
13	43,00	39,79	28	10	35	0,19	QPT06B3-013
14	46,30	42,80	31	12	35	0,23	QPT06B3-014
15	49,30	45,81	34	12	35	0,28	QPT06B3-015
16	52,30	48,82	37	12	35	0,33	QPT06B3-016
17	55,30	51,83	40	12	35	0,39	QPT06B3-017
18	58,30	54,85	43	12	35	0,45	QPT06B3-018
19	61,30	57,87	46	12	35	0,51	QPT06B3-019
20	64,30	60,89	49	12	35	0,58	QPT06B3-020
21	68,00	63,91	52	14	40	0,70	QPT06B3-021
22	71,00	66,93	55	14	40	0,78	QPT06B3-022
23	73,50	69,95	58	14	40	0,87	QPT06B3-023
24	77,00	72,97	61	14	40	0,97	QPT06B3-024
25	80,00	76,02	64	14	40	1,06	QPT06B3-025
26	83,00	79,02	67	14	40	1,17	QPT06B3-026
27	86,00	82,02	70	14	40	1,27	QPT06B3-027
28	89,00	85,07	73	14	40	1,39	QPT06B3-028
29	92,00	88,09	76	14	40	1,50	QPT06B3-029
30	94,70	91,12	79	14	40	1,62	QPT06B3-030
31	98,30	94,15	80	16	40	1,72	QPT06B3-031
32	101,30	97,17	80	16	40	1,80	QPT06B3-032
33	104,30	100,20	80	16	40	1,89	QPT06B3-033
34	107,30	103,23	85	16	40	2,06	QPT06B3-034
35	110,40	106,26	85	16	40	2,15	QPT06B3-035
36	113,40	109,29	90	16	40	2,33	QPT06B3-036
37	116,40	112,32	90	16	40	2,43	QPT06B3-037
38	119,50	115,35	90	16	40	2,53	QPT06B3-038
39	122,50	118,37	90	16	40	2,63	QPT06B3-039
40	125,50	121,40	90	16	40	2,74	QPT06B3-040

Material: Steel C45

D_e	External diameter	mm
D_p	Pitch diameter	mm
D_m	Hub diameter	mm
W	Weight	kg

Triplex Sprocket

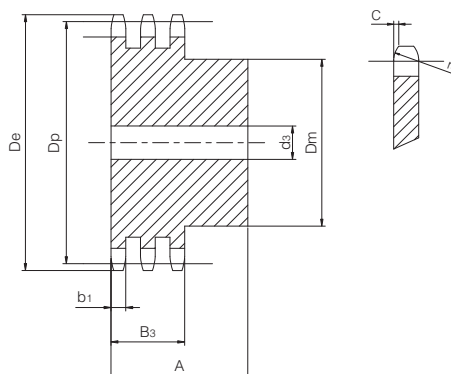
for chain according to DIN 8187 - ISO/R 606

ISO 08B-3

Pitch 1/2" x 5/16"



SPROCKET	[mm]
Tooth radius r_3	13
Radius width C	1,3
Tooth width b_1	7
Tooth width B_3	34,9
CHAIN	[mm]
Pitch	12,7
Internal width	7,75
Roller \varnothing	8,51



Z	D_e [mm]	D_p [mm]	D_m [mm]	d_3 [mm]	A [mm]	W [kg]	Part number
8	37,00	33,18	20	10	46	0,13	QPT08B3-008
9	41,00	37,13	24	12	46	0,18	QPT08B3-009
10	45,20	41,10	28	12	46	0,24	QPT08B3-010
11	48,70	45,07	32	14	50	0,31	QPT08B3-011
12	53,00	49,07	35	14	50	0,39	QPT08B3-012
13	57,40	53,06	38	14	50	0,49	QPT08B3-013
14	61,80	57,07	42	14	50	0,60	QPT08B3-014
15	65,50	61,09	46	14	50	0,72	QPT08B3-015
16	69,50	65,10	50	16	50	0,85	QPT08B3-016
17	73,60	69,11	54	16	50	0,99	QPT08B3-017
18	77,80	73,14	58	16	50	1,14	QPT08B3-018
19	81,70	77,16	62	16	50	1,30	QPT08B3-019
20	85,80	81,19	66	16	50	1,47	QPT08B3-020
21	89,70	85,22	70	16	55	1,79	QPT08B3-021
22	93,80	89,24	70	16	55	1,93	QPT08B3-022
23	98,20	93,27	70	16	55	2,08	QPT08B3-023
24	101,80	97,29	75	16	55	2,32	QPT08B3-024
25	105,80	101,33	80	16	55	2,57	QPT08B3-025
26	110,00	105,36	85	20	55	2,79	QPT08B3-026
27	114,00	109,40	85	20	55	2,96	QPT08B3-027
28	118,00	113,42	90	20	55	3,25	QPT08B3-028
29	122,00	117,46	95	20	55	3,55	QPT08B3-029
30	126,10	121,50	100	20	55	3,86	QPT08B3-030
31	130,20	125,54	110	20	55	4,32	QPT08B3-031
32	134,30	129,56	110	20	55	4,53	QPT08B3-032
33	138,40	133,60	110	20	55	4,74	QPT08B3-033
34	142,60	137,64	110	20	55	4,97	QPT08B3-034
35	146,70	141,68	110	20	55	5,20	QPT08B3-035
36	151,00	145,72	120	25	55	5,64	QPT08B3-036
37	154,60	149,76	120	25	55	5,88	QPT08B3-037
38	158,60	153,80	120	25	55	6,14	QPT08B3-038
39	162,70	157,83	120	25	55	6,40	QPT08B3-039
40	166,80	161,87	120	25	55	6,66	QPT08B3-040

Material: Steel C45

D_e	External diameter	mm
D_p	Pitch diameter	mm
D_m	Hub diameter	mm
W	Weight	kg

Triplex Sprockets

Triplex Sprocket

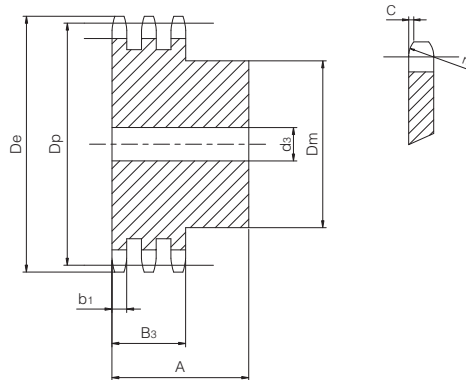
for chain according to DIN 8187 - ISO/R 606

ISO 10B-3

Pitch 5/8" x 3/8"



SPROCKET	[mm]
Tooth radius r_3	16
Radius width C	1,6
Tooth width b_1	9
Tooth width B_3	42,1
CHAIN	[mm]
Pitch	15,875
Internal width	9,65
Roller \varnothing	10,16



Z	D_e [mm]	D_p [mm]	D_m [mm]	d_3 [mm]	A [mm]	W [kg]	Part number
8	47,00	41,48	25	12	55	0,27	QPT10B3-008
9	52,60	46,42	30	12	55	0,38	QPT10B3-009
10	57,50	51,37	35	12	55	0,47	QPT10B3-010
11	63,00	56,34	39	16	55	0,61	QPT10B3-011
12	68,00	61,34	44	16	55	0,78	QPT10B3-012
13	73,00	66,32	49	16	55	0,96	QPT10B3-013
14	78,00	71,34	54	16	55	1,15	QPT10B3-014
15	83,00	76,36	59	16	55	1,37	QPT10B3-015
16	88,00	81,37	64	16	60	1,72	QPT10B3-016
17	93,00	86,39	69	16	60	1,99	QPT10B3-017
18	98,30	91,42	74	16	60	2,27	QPT10B3-018
19	103,30	96,45	79	16	60	2,58	QPT10B3-019
20	108,40	101,49	84	16	60	2,91	QPT10B3-020
21	113,40	106,52	85	20	60	3,12	QPT10B3-021
22	118,00	111,55	90	20	60	3,48	QPT10B3-022
23	123,50	116,58	95	20	60	3,86	QPT10B3-023
24	128,30	121,62	100	20	60	4,25	QPT10B3-024
25	134,00	126,66	105	20	60	4,67	QPT10B3-025
26	139,00	131,70	110	20	60	5,10	QPT10B3-026
27	144,00	136,75	110	20	60	5,43	QPT10B3-027
28	148,70	141,78	115	20	60	5,90	QPT10B3-028
29	153,80	146,83	115	20	60	6,25	QPT10B3-029
30	158,80	151,87	120	20	60	6,65	QPT10B3-030
31	163,90	156,92	120	20	60	7,18	QPT10B3-031
32	168,90	161,95	120	20	60	7,56	QPT10B3-032
33	174,50	167,00	120	20	60	7,97	QPT10B3-033
34	179,00	172,05	120	20	60	8,36	QPT10B3-034
35	184,10	177,10	120	20	60	8,74	QPT10B3-035
36	189,10	182,15	120	25	60	9,15	QPT10B3-036
37	194,20	187,20	120	25	60	9,61	QPT10B3-037
38	199,20	192,24	120	25	60	10,08	QPT10B3-038
39	204,20	197,29	120	25	60	10,57	QPT10B3-039
40	209,30	202,34	120	25	60	11,07	QPT10B3-040

Material: Steel C45

D_e	External diameter	mm
D_p	Pitch diameter	mm
D_m	Hub diameter	mm
W	Weight	kg

Triplex Sprocket

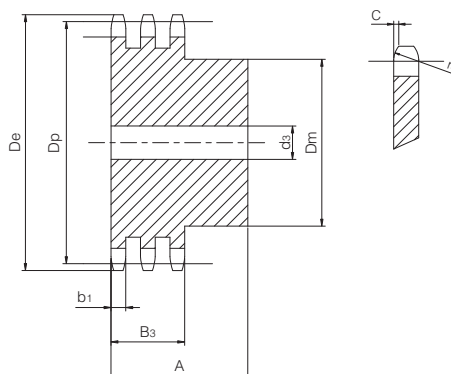
for chain according to DIN 8187 - ISO/R 606

ISO 12B-3

Pitch 3/4" x 7/16"



SPROCKET	[mm]
Tooth radius r_3	19
Radius width C	2
Tooth width b_1	10,8
Tooth width B_3	49,8
CHAIN	[mm]
Pitch	19,05
Internal width	11,68
Roller \varnothing	12,07



Z	D_e [mm]	D_p [mm]	D_m [mm]	d_3 [mm]	A [mm]	W [kg]	Part number
8	57,30	49,78	31	16	65	0,45	QPT12B3-008
9	62,00	55,70	37	16	65	0,64	QPT12B3-009
10	69,00	61,64	42	16	65	0,86	QPT12B3-010
11	75,00	67,61	47	20	70	1,09	QPT12B3-011
12	81,50	73,60	53	20	70	1,39	QPT12B3-012
13	87,50	79,59	59	20	70	1,72	QPT12B3-013
14	93,60	85,61	65	20	70	2,08	QPT12B3-014
15	99,80	91,63	71	20	70	2,47	QPT12B3-015
16	105,50	97,65	77	20	70	2,89	QPT12B3-016
17	111,50	103,67	83	20	70	3,34	QPT12B3-017
18	118,00	109,71	89	20	70	3,83	QPT12B3-018
19	124,20	115,75	95	20	70	4,35	QPT12B3-019
20	129,70	121,78	100	20	70	4,87	QPT12B3-020
21	136,00	127,82	100	20	70	5,20	QPT12B3-021
22	141,00	133,86	100	20	70	5,65	QPT12B3-022
23	149,00	139,90	110	20	70	6,38	QPT12B3-023
24	153,90	145,94	110	20	70	6,87	QPT12B3-024
25	160,00	152,00	120	20	70	7,77	QPT12B3-025
26	165,90	158,04	120	20	70	8,21	QPT12B3-026
27	172,30	164,09	120	20	70	8,77	QPT12B3-027
28	178,00	170,13	120	20	70	9,35	QPT12B3-028
29	184,10	176,19	120	20	70	9,96	QPT12B3-029
30	190,50	182,25	120	20	70	10,59	QPT12B3-030
31	196,30	188,31	130	25	70	11,55	QPT12B3-031
32	203,30	194,35	130	25	70	12,22	QPT12B3-032
33	209,30	200,40	130	25	70	12,92	QPT12B3-033
34	214,60	206,46	130	25	70	13,64	QPT12B3-034
35	221,00	212,52	130	25	70	14,38	QPT12B3-035
36	226,80	218,58	130	25	70	15,14	QPT12B3-036
37	232,90	224,64	130	25	70	15,93	QPT12B3-037
38	239,00	230,69	130	25	70	16,73	QPT12B3-038
39	245,10	236,75	130	25	70	17,57	QPT12B3-039
40	251,30	242,81	130	25	70	18,42	QPT12B3-040
45	282,50	273,09	*140	25	70	23,55	QPT12B3-045
50	312,30	303,39	*140	25	70	30,00	QPT12B3-050
57	355,40	345,81	*140	25	70	37,16	QPT12B3-057
76	469,90	460,98	*140	25	70	65,41	QPT12B3-076
95	585,10	576,17	*140	25	70	101,37	QPT12B3-095
114	700,60	691,36	*140	25	70	137,33	QPT12B3-114

Material: Steel C45 (Fe360B with $Z \geq 45$)

* = Weld on hub

D_e	External diameter	mm
D_p	Pitch diameter	mm
D_m	Hub diameter	mm
W	Weight	kg

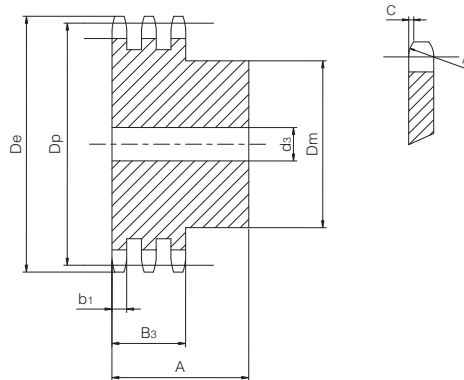
Triplex Sprocket

for chain according to DIN 8187 - ISO/R 606



ISO 16B-3 Pitch 1" x 17,02 mm

SPROCKET	[mm]
Tooth radius r_3	26
Radius width C	2,5
Tooth width b_1	15,8
Tooth width B_3	79,6
CHAIN	[mm]
Pitch	25,4
Internal width	17,02
Roller \varnothing	15,88



Z	De [mm]	Dp [mm]	Dm [mm]	d3 [mm]	A [mm]	W [kg]	Part number
8	77,00	66,37	42	20	95	1,19	QPT16B3-008
9	85,00	74,27	50	20	95	1,68	QPT16B3-009
10	93,00	82,19	56	20	95	2,24	QPT16B3-010
11	101,50	90,14	64	25	100	2,86	QPT16B3-011
12	109,00	98,14	72	25	100	3,62	QPT16B3-012
13	117,00	106,12	80	25	100	4,45	QPT16B3-013
14	125,00	114,15	88	25	100	5,37	QPT16B3-014
15	133,00	122,17	96	25	100	6,37	QPT16B3-015
16	141,00	130,20	104	25	100	7,45	QPT16B3-016
17	149,00	138,22	112	25	100	8,60	QPT16B3-017
18	157,00	146,28	120	25	100	9,84	QPT16B3-018
19	165,20	154,33	128	25	100	11,16	QPT16B3-019
20	173,20	162,38	130	25	100	12,36	QPT16B3-020
21	181,20	170,43	*130	25	100	13,56	QPT16B3-021
22	189,30	178,48	*130	25	100	14,82	QPT16B3-022
23	197,50	186,53	*130	25	100	16,15	QPT16B3-023
24	205,50	194,59	*130	25	100	17,53	QPT16B3-024
25	213,50	202,66	*130	25	100	18,99	QPT16B3-025
26	221,60	210,72	*130	30	100	20,34	QPT16B3-026
27	229,60	218,79	*130	30	100	21,92	QPT16B3-027
28	237,70	226,85	*130	30	100	23,57	QPT16B3-028
29	245,80	234,92	*130	30	100	25,27	QPT16B3-029
30	254,00	243,00	*130	30	100	27,05	QPT16B3-030
31	262,00	251,08	*140	30	100	29,23	QPT16B3-031
32	270,00	259,13	*140	30	100	31,13	QPT16B3-032
33	278,50	267,21	*140	30	100	33,10	QPT16B3-033
34	287,00	275,28	*140	30	100	35,13	QPT16B3-034
35	296,20	283,36	*140	30	100	37,23	QPT16B3-035
36	304,60	291,44	*140	30	100	39,39	QPT16B3-036
37	312,60	299,51	*140	30	100	41,65	QPT16B3-037
38	320,70	307,59	*140	30	100	43,90	QPT16B3-038
39	328,80	315,67	*140	30	100	46,29	QPT16B3-039
40	336,90	323,75	*140	30	100	48,67	QPT16B3-040
45	377,10	364,12	*160	30	100	63,94	QPT16B3-045
50	417,40	404,52	*160	30	100	80,00	QPT16B3-050
57	474,00	461,08	*180	30	110	103,03	QPT16B3-057
76	627,00	614,64	*180	30	110	181,86	QPT16B3-076
95	781,10	768,22	*180	30	110	283,85	QPT16B3-095
114	934,30	921,81	*180	30	110	385,84	QPT16B3-114

Material: Steel C45 (Fe360B with Z ≥ 21)

* = Weld on hub

D_e	External diameter	mm
D_p	Pitch diameter	mm
D_m	Hub diameter	mm
W	Weight	kg

Triplex Sprocket

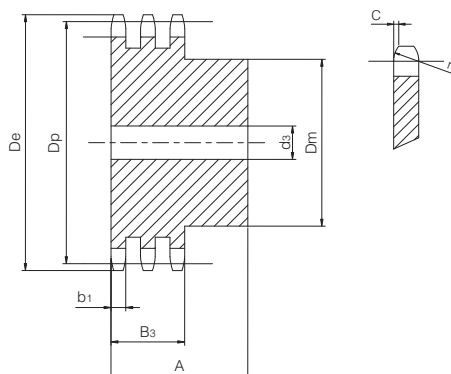
for chain according to DIN 8187 - ISO/R 606

ISO 20B-3

Pitch 1" 1/4 x 3/4"



SPROCKET	[mm]
Tooth radius r_3	32
Radius width C	3,5
Tooth width b_1	18,2
Tooth width B_3	91
CHAIN	[mm]
Pitch	31,75
Internal width	19,56
Roller \varnothing	19,05



Z	D_e [mm]	D_p [mm]	D_m [mm]	d_3 [mm]	A [mm]	W [kg]	Part number
8	98,10	82,96	53	20	110	2,15	QPT20B3-008
9	108,00	92,84	63	20	110	3,05	QPT20B3-009
10	117,90	102,74	70	20	110	4,04	QPT20B3-010
11	127,80	112,68	80	20	115	5,19	QPT20B3-011
12	137,80	122,68	90	20	115	6,55	QPT20B3-012
13	147,80	132,65	100	20	115	8,06	QPT20B3-013
14	157,80	142,68	110	20	115	9,71	QPT20B3-014
15	167,90	152,72	120	20	115	11,50	QPT20B3-015
16	177,90	162,75	120	25	115	13,06	QPT20B3-016
17	187,90	172,78	120	25	115	14,65	QPT20B3-017
18	198,00	182,85	*120	25	115	16,54	QPT20B3-018
19	208,10	192,91	*120	25	115	18,45	QPT20B3-019
20	218,10	202,98	*120	25	115	20,48	QPT20B3-020
21	228,20	213,04	*140	25	115	23,38	QPT20B3-021
22	238,30	223,11	*140	25	115	25,64	QPT20B3-022
23	248,30	233,17	*140	25	115	28,00	QPT20B3-023
24	258,40	243,23	*140	25	115	30,49	QPT20B3-024
25	268,50	253,33	*140	25	115	33,09	QPT20B3-025
26	278,60	263,40	*150	25	115	36,23	QPT20B3-026
27	288,60	273,49	*150	25	115	39,06	QPT20B3-027
28	298,70	283,56	*150	25	115	42,00	QPT20B3-028
29	308,80	293,65	*150	25	115	45,12	QPT20B3-029
30	318,90	303,75	*150	25	115	48,23	QPT20B3-030
31	329,00	313,85	*150	30	115	51,57	QPT20B3-031
32	339,10	323,91	*150	30	115	54,91	QPT20B3-032
33	349,20	334,01	*150	30	115	58,49	QPT20B3-033
34	359,30	344,10	*150	30	115	62,06	QPT20B3-034
35	369,40	354,20	*150	30	115	65,80	QPT20B3-035
36	379,50	364,30	*150	30	115	69,66	QPT20B3-036
37	389,50	374,39	*150	30	115	73,69	QPT20B3-037
38	399,60	384,49	*150	30	115	77,72	QPT20B3-038
39	409,70	394,59	*150	30	115	81,98	QPT20B3-039
40	419,80	404,69	*150	30	115	86,24	QPT20B3-040

Triplex Sprockets

Material: Steel C45 (Fe360B with $Z \geq 18$)
 * = Weld on hub

D_e	External diameter	mm
D_p	Pitch diameter	mm
D_m	Hub diameter	mm
W	Weight	kg

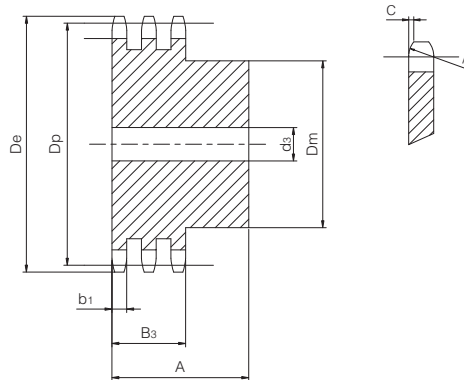
Triplex Sprocket

for chain according to DIN 8187 - ISO/R 606



ISO 24B-3 Pitch 1" 1/2 x 1"

SPROCKET	[mm]
Tooth radius r_3	38
Radius width C	4
Tooth width b_1	23,6
Tooth width B_3	120,3
CHAIN	[mm]
Pitch	38,1
Internal width	25,4
Roller \varnothing	25,4



Z	D_e [mm]	D_p [mm]	D_m [mm]	d_3 [mm]	A [mm]	W [kg]	Part number
8	115,00	99,55	58	25	140	4,00	QPT24B3-008
9	126,40	111,40	70	25	140	5,62	QPT24B3-009
10	138,00	123,29	80	25	140	7,45	QPT24B3-010
11	150,00	135,21	90	25	150	9,73	QPT24B3-011
12	162,00	147,22	102	25	150	12,24	QPT24B3-012
13	174,20	159,18	114	25	150	15,02	QPT24B3-013
14	186,20	171,22	128	25	150	18,16	QPT24B3-014
15	198,20	183,26	132	25	150	21,09	QPT24B3-015
16	210,30	195,30	*136	25	150	24,25	QPT24B3-016
17	222,30	207,34	*140	25	150	27,42	QPT24B3-017
18	234,30	219,42	*150	25	150	32,12	QPT24B3-018
19	246,50	231,49	*160	25	150	35,74	QPT24B3-019
20	258,60	243,57	*160	25	150	39,57	QPT24B3-020
21	270,60	255,65	*160	30	150	42,98	QPT24B3-021
22	282,70	267,73	*160	30	150	47,25	QPT24B3-022
23	294,80	279,80	*160	30	150	51,74	QPT24B3-023
24	306,80	291,88	*160	30	150	56,44	QPT24B3-024
25	319,00	304,00	*160	30	150	61,37	QPT24B3-025
26	331,00	316,08	*160	30	150	66,52	QPT24B3-026
27	343,20	328,19	*160	30	150	71,88	QPT24B3-027
28	355,20	340,27	*160	30	150	77,46	QPT24B3-028
29	367,30	352,38	*160	30	150	83,37	QPT24B3-029
30	379,50	364,50	*160	40	150	89,28	QPT24B3-030
31	391,60	376,62	*160	40	150	95,63	QPT24B3-031
32	403,70	388,69	*160	40	150	101,97	QPT24B3-032
33	415,80	400,81	*160	40	150	108,86	QPT24B3-033
34	427,80	412,93	*160	40	150	115,75	QPT24B3-034
35	440,00	425,04	*160	40	150	122,64	QPT24B3-035
36	452,00	437,16	*160	40	150	130,19	QPT24B3-036
37	464,20	449,27	*160	40	150	137,73	QPT24B3-037
38	476,20	461,39	*160	40	150	145,28	QPT24B3-038
39	488,50	473,50	*160	40	150	153,37	QPT24B3-039
40	500,60	485,62	*160	40	150	161,46	QPT24B3-040

Material: Steel C45 (Fe360B with $Z \geq 16$)

* = Weld on hub

D_e	External diameter	mm
D_p	Pitch diameter	mm
D_m	Hub diameter	mm
W	Weight	kg

Triplex Sprocket

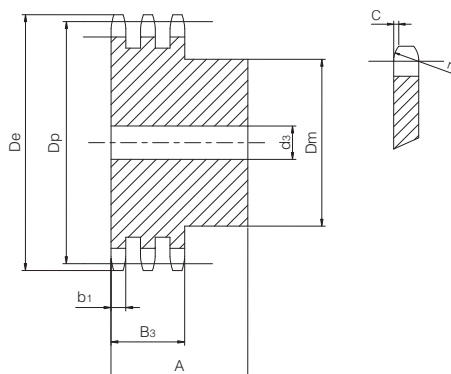
for chain according to DIN 8187 - ISO/R 606

ISO 28B-3

Pitch 1" 3/4 x 1" 1/4



SPROCKET	[mm]
Tooth radius r_3	44
Radius width C	5
Tooth width b_1	28,8
Tooth width B_3	148
CHAIN	[mm]
Pitch	44,45
Internal width	30,99
Roller \varnothing	27,94



Z	D_e [mm]	D_p [mm]	D_m [mm]	d_3 [mm]	A [mm]	W [kg]	Part number
8	132,00	116,15	74	30	180	7,04	QPT28B3-008
9	148,40	129,96	88	30	180	9,89	QPT28B3-009
10	162,30	143,85	100	30	180	13,10	QPT28B3-010
11	176,30	157,77	112	30	180	16,73	QPT28B3-011
12	189,50	171,74	125	30	180	20,84	QPT28B3-012
13	204,20	185,74	*125	30	180	24,70	QPT28B3-013
14	218,20	199,76	*125	30	180	28,93	QPT28B3-014
15	232,30	213,79	*145	30	180	34,58	QPT28B3-015
16	246,30	227,84	*160	30	180	40,44	QPT28B3-016
17	260,00	241,91	*160	30	180	45,77	QPT28B3-017
18	274,00	255,98	*160	30	180	51,76	QPT28B3-018
19	289,00	270,06	*180	30	180	58,07	QPT28B3-019
20	303,00	284,15	*180	30	180	64,49	QPT28B3-020
21	317,00	298,24	*180	30	180	71,28	QPT28B3-021
22	331,00	312,34	*180	30	180	78,61	QPT28B3-022
23	345,00	326,44	*180	30	180	85,94	QPT28B3-023
24	359,00	340,55	*180	30	180	99,01	QPT28B3-024
25	373,00	354,66	*180	40	180	112,07	QPT28B3-025
26	387,00	368,77	*180	40	180	119,41	QPT28B3-026
27	401,40	382,88	*180	40	180	126,76	QPT28B3-027
28	416,00	397,00	*180	40	180	134,10	QPT28B3-028
29	430,00	411,12	*180	40	180	141,45	QPT28B3-029
30	444,00	425,24	*180	40	180	148,79	QPT28B3-030
31	458,00	439,37	*180	40	180	180,53	QPT28B3-031
35	514,00	495,88	*200	40	180	212,27	QPT28B3-035
38	557,00	538,27	*200	40	180	244,01	QPT28B3-038
40	585,00	566,54	*200	40	180	271,10	QPT28B3-040

Triplex Sprockets

Material: Steel C45 (Fe360B with $Z \geq 13$)

* = Weld on hub

D_e	External diameter	mm
D_p	Pitch diameter	mm
D_m	Hub diameter	mm
W	Weight	kg

Triplex Sprocket

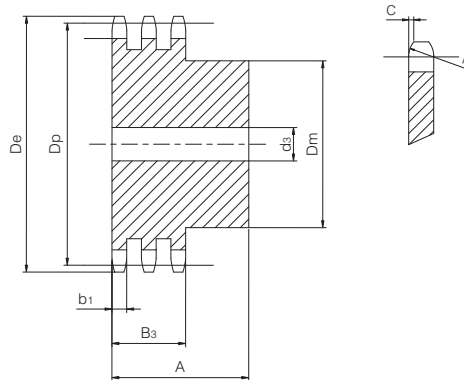
for chain according to DIN 8187 - ISO/R 606

ISO 32B-3

Pitch 2" x 1" 1/4



SPROCKET	[mm]
Tooth radius r_3	51
Radius width C	6
Tooth width b_1	28,8
Tooth width B_3	146
CHAIN	[mm]
Pitch	50,8
Internal width	30,99
Roller \varnothing	29,21



Z	D_e [mm]	D_p [mm]	D_m [mm]	d_3 [mm]	A [mm]	W [kg]	Part number
8	153,00	132,69	82	30	180	9,90	QPT32B3-008
9	169,00	148,54	88	30	180	13,65	QPT32B3-009
10	185,00	164,44	104	30	180	17,97	QPT32B3-010
11	200,80	180,34	120	30	180	22,22	QPT32B3-011
12	216,80	196,29	*133	30	180	27,23	QPT32B3-012
13	232,80	212,29	*145	30	180	32,98	QPT32B3-013
14	248,80	228,29	*145	30	180	38,50	QPT32B3-014
15	264,80	244,30	*160	30	180	45,04	QPT32B3-015
16	280,90	260,40	*160	30	180	51,50	QPT32B3-016
17	296,90	276,40	*180	30	180	61,45	QPT32B3-017
18	313,00	292,55	*180	30	180	68,85	QPT32B3-018
19	329,10	308,66	*200	30	180	76,73	QPT32B3-019
20	345,20	324,71	*200	30	180	85,07	QPT32B3-020
21	361,30	340,82	*200	40	180	93,89	QPT32B3-021
22	377,50	356,98	*200	40	180	103,41	QPT32B3-022
23	393,60	373,08	*200	40	180	112,93	QPT32B3-023
24	409,70	389,18	*200	40	180	123,40	QPT32B3-024
25	425,80	405,33	*200	40	180	133,86	QPT32B3-025
26	441,90	421,44	*200	40	180	149,00	QPT32B3-026
27	458,10	437,59	*200	40	180	164,14	QPT32B3-027
28	474,20	453,69	*200	40	180	179,28	QPT32B3-028
30	506,50	486,00	*200	40	180	194,42	QPT32B3-030

Material: Steel C45 (Fe360B with $Z \geq 12$)
* = Weld on hub

D_e	External diameter	mm
D_p	Pitch diameter	mm
D_m	Hub diameter	mm
W	Weight	kg

Simplex, duplex and triplex sprockets
for taper bushes SER-SIT®

The background of the central section is a light teal color. It features several mechanical parts: a large, light-colored metal sprocket with many teeth, a smaller sprocket, and a dark grey metal taper bush. The sprockets are positioned in the upper half, and the taper bush is in the lower half. A semi-transparent white vertical bar is overlaid on the center, containing the main title text.

SPROCKETS FOR TAPER BUSHES

INDEX

SIMPLEX, DUPLEX AND TRIPLEX SPROCKETS FOR TAPER BUSHES SER-SIT®	Page
Simplex Sprockets	
ISO 06B-1 Pitch 3/8" x 7/32"	77
ISO 08B-1 Pitch 1/2" x 5/16"	78
ISO 10B-1 Pitch 5/8" x 3/8"	79
ISO 12B-1 Pitch 3/4" x 7/16"	80
ISO 16B-1 Pitch 1" x 17,02 mm	81
ISO 20B-1 Pitch 1" 1/4 x 3/4"	82
ISO 24B-1 Pitch 1" 1/2 x 1"	83
Duplex Sprockets	
ISO 06B-2 Pitch 3/8" x 7/32"	84
ISO 08B-2 Pitch 1/2" x 5/16"	85
ISO 10B-2 Pitch 5/8" x 3/8"	86
ISO 12B-2 Pitch 3/4" x 7/16"	87
ISO 16B-2 Pitch 1" x 17,02 mm	88
ISO 20B-2 Pitch 1" 1/4 x 3/4"	89
ISO 24B-2 Pitch 1" 1/2 x 1"	90
Triplex Sprockets	
ISO 06B-3 Pitch 3/8" x 7/32"	91
ISO 08B-3 Pitch 1/2" x 5/16"	92
ISO 10B-3 Pitch 5/8" x 3/8"	93
ISO 12B-3 Pitch 3/4" x 7/16"	94
ISO 16B-3 Pitch 1" x 17,02 mm	95
ISO 20B-3 Pitch 1" 1/4 x 3/4"	96
ISO 24B-3 Pitch 1" 1/2 x 1"	97

SIMPLEX SPROCKETS FOR TAPER BUSHES SER-SIT®



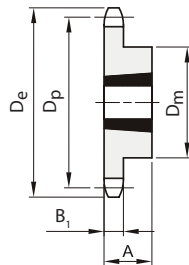
Simplex sprocket for taper bushes SER-SIT®

for chain according to DIN 8187 - ISO/R 606

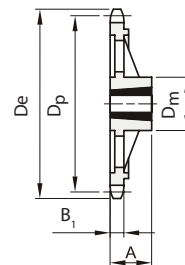
ISO 06B-1

Pitch 3/8" x 7/32"

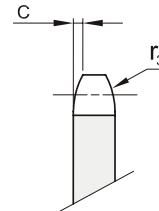
SPROCKET	[mm]
Tooth radius r_3	10
Radius width C	1
Tooth width B_1	5,3
CHAIN	[mm]
Pitch	9,525
Internal width	5,72
Roller \varnothing	6,35



1



6



Z	D_e [mm]	D_p [mm]	D_m [mm]	A [mm]	SER-SIT® Taper bushes	Fig.	W [kg]	Part number
17	55,5	51,83	45	22	1008	1	0,11	QPBS06B1-017
18	58,6	54,85	45	22	1008	1	0,14	QPBS06B1-018
19	61,6	57,86	45	22	1008	1	0,15	QPBS06B1-019
20	64,6	60,89	46	22	1008	1	0,16	QPBS06B1-020
21	67,6	63,90	46	22	1008	1	0,18	QPBS06B1-021
22	70,6	66,93	55	22	1108	1	0,25	QPBS06B1-022
23	73,7	69,95	63	25	1210	1	0,27	QPBS06B1-023
24	76,7	72,97	63	25	1210	1	0,30	QPBS06B1-024
25	79,7	75,99	63	25	1210	1	0,32	QPBS06B1-025
26	82,7	79,02	63	25	1210	1	0,33	QPBS06B1-026
27	85,7	82,04	63	25	1210	1	0,34	QPBS06B1-027
28	88,8	85,07	63	25	1210	1	0,37	QPBS06B1-028
30	94,8	91,12	63	25	1210	1	0,39	QPBS06B1-030
38	119,0	115,34	70	25	1210	1	0,65	QPBS06B1-038
45	141,1	136,54	70	25	1210	1	1,01	QPBS06B1-045
57*	177,5	172,91	83	25	1210	6	1,34	QPBS06B1-057
76*	235,1	230,49	83	25	1210	6	1,84	QPBS06B1-076

Simplex for taper bushes

Material: Steel C45
*Cast Iron EN-GJL-200

D_e	External diameter	mm
D_p	Pitch diameter	mm
D_m	Hub diameter	mm
W	Weight	kg

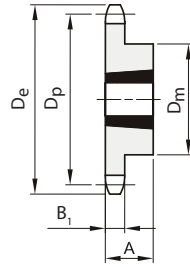
Simplex sprocket for taper bushes SER-SIT®

for chain according to DIN 8187 - ISO/R 606

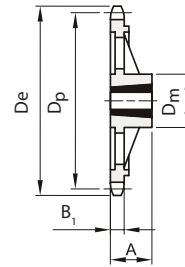
ISO 08B-1 Pitch 1/2" x 5/16"



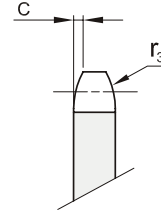
SPROCKET	[mm]
Tooth radius r_3	13
Radius width C	1,3
Tooth width B_1	7,2
CHAIN	[mm]
Pitch	12,7
Internal width	7,75
Roller \varnothing	8,51



1



6



Z	D_e [mm]	D_p [mm]	D_m [mm]	A [mm]	SER-SIT® Taper bushes	Fig.	W [kg]	Part number
15	65,9	61,09	45	22	1008	1	0,16	QPBS08B1-015
16	69,9	65,10	50	22	1108	1	0,20	QPBS08B1-016
17	74,0	69,11	60	25	1210	1	0,22	QPBS08B1-017
18	78,0	73,14	60	25	1210	1	0,27	QPBS08B1-018
19	82,0	77,16	63	25	1210	1	0,33	QPBS08B1-019
20	86,0	81,19	67	25	1610	1	0,27	QPBS08B1-020
21	90,1	85,22	71	25	1610	1	0,36	QPBS08B1-021
22	94,1	89,24	71	25	1610	1	0,36	QPBS08B1-022
23	98,1	93,27	76	25	1610	1	0,50	QPBS08B1-023
24	102,1	97,29	76	25	1610	1	0,53	QPBS08B1-024
25	106,2	101,33	76	25	1610	1	0,56	QPBS08B1-025
26	110,2	105,36	76	25	1610	1	0,60	QPBS08B1-026
27	114,2	109,40	76	25	1610	1	0,63	QPBS08B1-027
28	118,3	113,42	90	32	2012	1	0,77	QPBS08B1-028
30	126,3	121,50	90	32	2012	1	0,91	QPBS08B1-030
38	158,6	153,80	90	32	2012	1	1,25	QPBS08B1-038
45	188,6	182,07	111	32	2012	1	1,68	QPBS08B1-045
57*	237,1	230,54	111	32	2012	6	2,78	QPBS08B1-057
76*	313,9	307,33	111	32	2012	6	3,81	QPBS08B1-076

Material: Steel C45
*Cast Iron EN-GJL-200

D_e	External diameter	mm
D_p	Pitch diameter	mm
D_m	Hub diameter	mm
W	Weight	kg

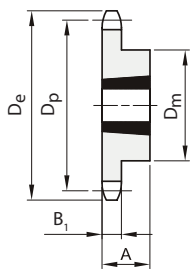
Simplex sprocket for taper bushes SER-SIT®

for chain according to DIN 8187 - ISO/R 606

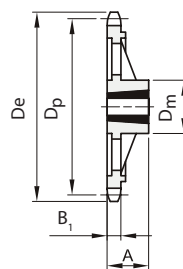


ISO 10B-1 Pitch 5/8" x 3/8"

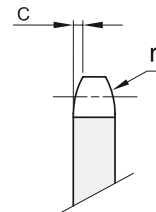
SPROCKET	[mm]
Tooth radius r_3	16
Radius width C	1,6
Tooth width B_1	9,1
CHAIN	[mm]
Pitch	15,875
Internal width	9,65
Roller \varnothing	10,16



1



6



Z	D_e [mm]	D_p [mm]	D_m [mm]	A [mm]	SER-SIT® Taper bushes	Fig.	W [kg]	Part number
13	73,2	66,33	47	22	1008	1	0,23	QPBS10B1-013
14	78,2	71,34	52	22	1108	1	0,27	QPBS10B1-014
15	83,2	76,35	60	25	1210	1	0,30	QPBS10B0-015
16	88,3	81,37	63	25	1210	1	0,38	QPBS10B1-016
17	93,3	86,39	71	25	1610	1	0,38	QPBS10B1-017
18	98,3	91,42	71	25	1610	1	0,43	QPBS10B1-018
19	103,3	96,44	75	25	1610	1	0,54	QPBS10B1-019
20	108,4	101,49	76	25	1610	1	0,61	QPBS10B1-020
21	113,4	106,51	76	25	1610	1	0,65	QPBS10B1-021
22	118,4	111,55	76	25	1610	1	0,72	QPBS10B1-022
23	123,5	116,58	76	25	1610	1	0,77	QPBS10B1-023
24	128,5	121,62	90	32	2012	1	0,98	QPBS10B1-024
25	133,6	126,66	90	32	2012	1	1,05	QPBS10B1-025
26	138,6	131,70	90	32	2012	1	1,11	QPBS10B1-026
27	143,6	136,74	90	32	2012	1	1,17	QPBS10B1-027
28	148,7	141,78	90	32	2012	1	1,29	QPBS10B1-028
30	158,8	151,87	90	32	2012	1	1,40	QPBS10B1-030
38	199,1	192,23	100	32	2012	1	2,43	QPBS10B1-038
45	236,0	227,58	111	32	2012	1	3,55	QPBS10B1-045
57*	296,6	288,18	111	32	2012	6	4,28	QPBS10B1-057
76*	392,5	384,16	111	32	2012	6	5,95	QPBS10B1-076

Simplex for taper bushes

Material: Steel C45
*Cast Iron EN-GJL-200

D_e	External diameter	mm
D_p	Pitch diameter	mm
D_m	Hub diameter	mm
W	Weight	kg

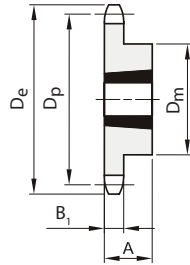
Simplex sprocket for taper bushes SER-SIT®

for chain according to DIN 8187 - ISO/R 606

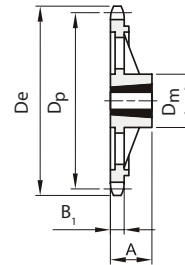
ISO 12B-1 Pitch 3/4" x 7/16"



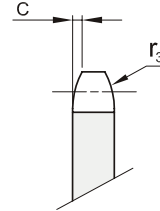
SPROCKET	[mm]
Tooth radius r_3	19
Radius width C	2
Tooth width B_1	11,1
CHAIN	[mm]
Pitch	19,05
Internal width	11,68
Roller \varnothing	12,07



1



6



Z	D_e [mm]	D_p [mm]	D_m [mm]	A [mm]	SER-SIT® Taper bushes	Fig.	W [kg]	Part number
13	87,8	79,60	60	25	1210	1	0,35	QPBS12B1-013
14	93,8	85,61	67	25	1610	1	0,40	QPBS12B1-014
15	99,8	91,62	70	25	1610	1	0,44	QPBS12B1-015
16	105,8	97,65	71	25	1610	1	0,53	QPBS12B1-016
17	111,9	103,67	76	25	1610	1	0,66	QPBS12B1-017
18	117,9	109,71	90	32	2012	1	0,86	QPBS12B1-018
19	123,9	115,73	90	32	2012	1	0,94	QPBS12B1-019
20	130,0	121,78	90	32	2012	1	1,04	QPBS12B1-020
21	136,0	127,81	102	44	2517	1	1,24	QPBS12B1-021
22	142,0	133,86	108	44	2517	1	1,60	QPBS12B1-022
23	148,1	139,90	108	44	2517	1	1,70	QPBS12B1-023
24	154,1	145,94	108	44	2517	1	1,81	QPBS12B1-024
25	160,2	151,99	108	44	2517	1	1,93	QPBS12B1-025
26	166,2	158,04	108	44	2517	1	2,04	QPBS12B1-026
27	172,3	164,09	108	44	2517	1	2,14	QPBS12B1-027
28	178,3	170,13	108	44	2517	1	2,37	QPBS12B1-028
30	190,4	182,24	108	44	2517	1	2,60	QPBS12B1-030
38	238,9	230,69	108	44	2517	1	3,93	QPBS12B1-038
45	283,2	273,10	124	44	2517	1	5,52	QPBS12B1-045
57*	355,9	345,81	124	44	2517	6	6,48	QPBS12B1-057
76*	471,1	460,99	124	44	2517	6	9,71	QPBS12B1-076

Material: Steel C45
*Cast Iron EN-GJL-200

D_e	External diameter	mm
D_p	Pitch diameter	mm
D_m	Hub diameter	mm
W	Weight	kg

Simplex sprocket for taper bushes SER-SIT®

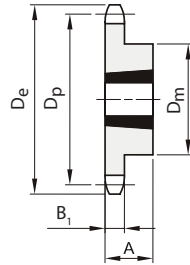
for chain according to DIN 8187 - ISO/R 606

ISO 16B-1

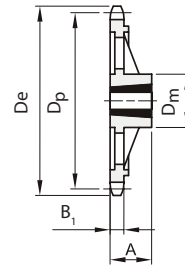
Pitch 1" x 17,02 mm



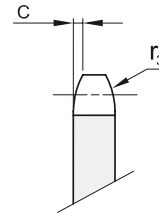
SPROCKET	[mm]
Tooth radius r_3	26
Radius width C	2,5
Tooth width B_1	16,2
CHAIN	[mm]
Pitch	25,4
Internal width	17,02
Roller \varnothing	15,88



1



6



Z	D_e [mm]	D_p [mm]	D_m [mm]	A [mm]	SER-SIT® Taper bushes	Fig.	W [kg]	Part number
13	117,7	106,13	73	38	1615	1	0,98	QPBS16B1-013
14	125,7	114,15	75	38	1615	1	1,14	QPBS16B1-014
15	133,7	122,16	76	38	1615	1	1,30	QPBS16B1-015
16	141,8	130,20	90	32	2012	1	1,40	QPBS16B1-016
17	149,8	138,23	90	32	2012	1	1,59	QPBS16B1-017
18	157,8	146,28	108	44	2517	1	2,10	QPBS16B1-018
19	165,9	154,31	110	44	2517	1	2,29	QPBS16B1-019
20	173,9	162,38	110	44	2517	1	2,60	QPBS16B1-020
21	182,0	170,42	110	44	2517	1	2,81	QPBS16B1-021
22	190,1	178,48	110	44	2517	1	3,10	QPBS16B1-022
23	198,1	186,53	110	44	2517	1	3,38	QPBS16B1-023
24	206,2	194,59	110	44	2517	1	3,70	QPBS16B1-024
25	214,2	202,66	110	44	2517	1	3,97	QPBS16B1-025
26	222,3	210,72	110	44	2517	1	4,26	QPBS16B1-026
27	230,4	218,79	110	44	2517	1	4,55	QPBS16B1-027
28	238,4	226,85	110	44	2517	1	5,26	QPBS16B1-028
30	254,6	242,99	120	44	2517	1	5,97	QPBS16B1-030
38	319,2	307,59	160	51	3020	1	8,73	QPBS16B1-038
45	377,9	364,12	160	51	3020	1	12,49	QPBS16B1-045
57*	474,9	461,07	160	51	3020	6	13,87	QPBS16B1-057
76*	628,4	614,65	160	51	3020	6	22,63	QPBS16B1-076

Simplex for taper bushes

Material: Steel C45
*Cast Iron EN-GJL-200

D_e	External diameter	mm
D_p	Pitch diameter	mm
D_m	Hub diameter	mm
W	Weight	kg

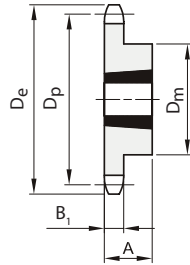
Simplex sprocket for taper bushes SER-SIT®

for chain according to DIN 8187 - ISO/R 606

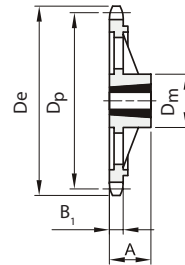
ISO 20B-1 Pitch 1"1/4 x 3/4"



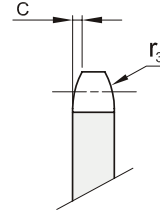
SPROCKET	[mm]
Tooth radius r_3	32
Radius width C	3,5
Tooth width B_1	18,5
CHAIN	[mm]
Pitch	31,75
Internal width	19,56
Roller \varnothing	19,05



1



6



Z	D_e [mm]	D_p [mm]	D_m [mm]	A [mm]	SER-SIT® Taper bushes	Fig.	W [kg]	Part number
12	137,0	122,68	90	32	1615	1	1,90	QPBS20B1-012
13	147,5	132,65	90	32	2012	1	1,50	QPBS20B1-013
14	157,6	142,68	110	44	2517	1	2,40	QPBS20B1-014
15	167,7	152,72	110	44	2517	1	3,39	QPBS20B1-015
16	177,7	162,75	110	44	2517	1	4,23	QPBS20B1-016
17	187,7	172,78	110	44	2517	1	5,07	QPBS20B1-017
18	197,8	182,85	110	44	2517	1	5,91	QPBS20B1-018
19	207,9	192,91	110	44	2517	1	6,75	QPBS20B1-019
20	217,9	202,98	110	44	2517	1	7,23	QPBS20B1-020
21	228,0	213,04	120	44	2517	1	7,70	QPBS20B1-021
23	248,2	233,17	120	44	2517	1	8,78	QPBS20B1-023
25	268,4	253,33	120	44	2517	1	9,50	QPBS20B1-025
30	318,7	303,75	160	51	3020	1	11,60	QPBS20B1-030
38*	399,4	384,49	160	51	3020	6	15,80	QPBS20B1-038
57*	592,3	576,36	160	51	3020	6	17,90	QPBS20B1-057
76*	784,3	768,32	160	51	3020	6	25,00	QPBS20B1-076

Material: Steel C45
*Cast Iron EN-GJL-200

D_e	External diameter	mm
D_p	Pitch diameter	mm
D_m	Hub diameter	mm
W	Weight	kg

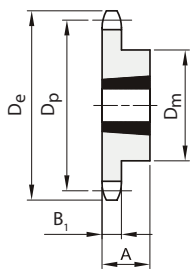
Simplex sprocket for taper bushes SER-SIT®

for chain according to DIN 8187 - ISO/R 606

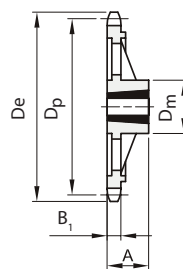


ISO 24B-1 Pitch 1"1/2 x 1"

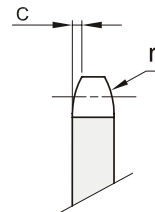
SPROCKET	[mm]
Tooth radius r_3	38
Radius width C	4
Tooth width B_1	24,1
CHAIN	[mm]
Pitch	38,1
Internal width	25,4
Roller \varnothing	25,4



1



6



Z	D_e [mm]	D_p [mm]	D_m [mm]	A [mm]	SER-SIT® Taper bushes	Fig.	W [kg]	Part number
11	149,0	135,21	90	32	2012	1	1,70	QPBS24B1-011
12	161,0	147,22	90	32	2012	1	2,16	QPBS24B1-012
13	173,0	159,18	110	44	2517	1	2,77	QPBS24B1-013
14	185,0	171,22	120	44	2517	1	3,60	QPBS24B1-014
15	197,0	183,26	120	44	2517	1	4,20	QPBS24B1-015
17	221,0	207,34	140	51	3020	1	5,40	QPBS24B1-017
18	233,0	219,42	140	51	3020	1	6,10	QPBS24B1-018
19	245,5	231,49	140	51	3020	1	6,85	QPBS24B1-019
20	257,5	243,57	140	51	3020	1	7,76	QPBS24B1-020
21	270,5	255,65	140	51	3020	1	8,52	QPBS24B1-021
23	294,5	279,80	160	51	3020	1	11,31	QPBS24B1-023
25	319,0	304,00	160	51	3020	1	13,33	QPBS24B1-025
30	379,5	364,50	160	51	3020	1	19,00	QPBS24B1-030
38*	476,5	461,39	160	76	3030	6	24,00	QPBS24B1-038
57*	707,5	691,63	160	76	3030	6	45,00	QPBS24B1-057
76*	939,0	921,98	175	89	3535	6	70,00	QPBS24B1-076

Simplex for taper bushes

Material: Steel C45
*Cast Iron EN-GJL-200

D_e	External diameter	mm
D_p	Pitch diameter	mm
D_m	Hub diameter	mm
W	Weight	kg

DUPLEX SPROCKETS FOR TAPER BUSHES SER-SIT®

Duplex sprocket for taper bushes SER-SIT®

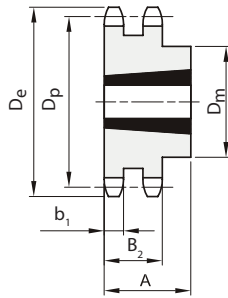
for chain according to DIN 8187 - ISO/R 606



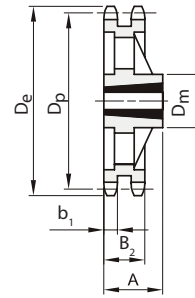
ISO 06B-2

Pitch 3/8" x 7/32"

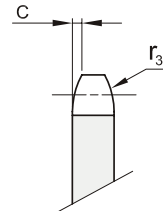
SPROCKET	[mm]
Tooth radius r_3	10
Radius width C	1
Tooth width b_1	5,2
Tooth width B_2	15,4
CHAIN	[mm]
Pitch	9,525
Internal width	5,72
Roller \varnothing	6,35



2



7



Z	D_e [mm]	D_p [mm]	D_m [mm]	A [mm]	SER-SIT® Taper bushes	Fig.	W [kg]	Part number
17	55,5	51,83	41	22	1008	2	0,11	QPBD06B2-017
18	58,6	54,85	43	22	1008	2	0,15	QPBD06B2-018
19	61,6	57,86	46	22	1008	2	0,18	QPBD06B2-019
20	64,6	60,89	48	22	1008	2	0,22	QPBD06B2-020
21	67,6	63,90	49	22	1008	2	0,16	QPBD06B2-021
22	70,6	66,93	52	22	1108	2	0,28	QPBD06B2-022
23	73,7	69,95	59	25	1210	2	0,27	QPBD06B2-023
24	76,7	72,97	61	25	1210	2	0,32	QPBD06B2-024
25	79,7	75,99	64	25	1210	2	0,37	QPBD06B2-025
26	82,7	79,02	65	25	1210	2	0,44	QPBD06B2-026
27	85,7	82,04	70	25	1210	2	0,50	QPBD06B2-027
28	88,8	85,07	70	25	1210	2	0,57	QPBD06B2-028
30	94,8	91,12	75	25	1210	2	0,68	QPBD06B2-030
38	119,0	115,34	80	25	1610	2	1,03	QPBD06B2-038
57*	177,5	172,91	90	25	1610	7	1,16	QPBD06B2-057
76*	235,1	230,49	90	25	1610	7	2,19	QPBD06B2-076

Material: Steel C45
*Cast Iron EN-GJL-200

D_e	External diameter	mm
D_p	Pitch diameter	mm
D_m	Hub diameter	mm
W	Weight	kg

Duplex sprocket for taper bushes SER-SIT®

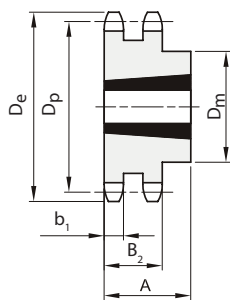
for chain according to DIN 8187 - ISO/R 606

ISO 08B-2

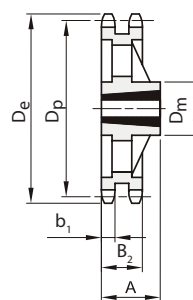
Pitch 1/2" x 5/16"



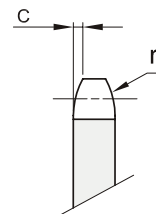
SPROCKET	[mm]
Tooth radius r_3	13
Radius width C	1,3
Tooth width b_1	7
Tooth width B_2	21
CHAIN	[mm]
Pitch	12,7
Internal width	7,75
Roller \varnothing	8,51



2



7



Z	D_e [mm]	D_p [mm]	D_m [mm]	A [mm]	SER-SIT® Taper bushes	Fig.	W [kg]	Part number
15	65,9	61,09	46	22	1008	2	0,22	QPBD08B2-015
16	69,9	65,10	50	22	1108	2	0,22	QPBD08B2-016
17	74,0	69,11	56	25	1210	2	0,23	QPBD08B2-017
18	78,0	73,14	60	25	1210	2	0,30	QPBD08B2-018
19	82,0	77,16	62	25	1210	2	0,38	QPBD08B2-019
20	86,0	81,19	66	25	1610	2	0,45	QPBD08B2-020
21	90,1	85,22	70	25	1610	2	0,50	QPBD08B2-021
22	94,1	89,24	76	25	1610	2	0,55	QPBD08B2-022
23	98,1	93,27	79	25	1610	2	0,62	QPBD08B2-023
24	102,1	97,29	84	32	2012	2	0,68	QPBD08B2-024
25	106,2	101,33	87	32	2012	2	0,72	QPBD08B2-025
26	110,2	105,36	87	32	2012	2	0,82	QPBD08B2-026
27	114,2	109,40	87	32	2012	2	0,92	QPBD08B2-027
28	118,3	113,42	87	32	2012	2	1,10	QPBD08B2-028
30	126,3	121,50	87	32	2012	2	1,24	QPBD08B2-030
38	158,6	153,80	100	32	2012	2	2,50	QPBD08B2-038
57*	237,1	230,54	111	32	2012	7	3,64	QPBD08B2-057
76*	313,9	307,33	111	32	2012	7	5,09	QPBD08B2-076

Duplex for taper bushes

Material: Steel C45

*Cast Iron EN-GJL-200

D_e	External diameter	mm
D_p	Pitch diameter	mm
D_m	Hub diameter	mm
W	Weight	kg

Duplex sprocket for taper bushes SER-SIT®

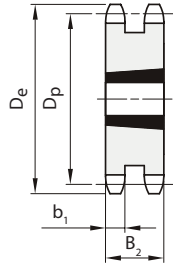
for chain according to DIN 8187 - ISO/R 606

ISO 10B-2

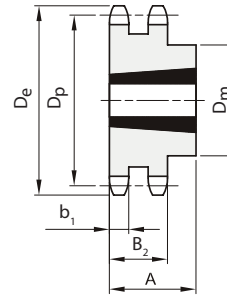
Pitch 5/8" x 3/8"



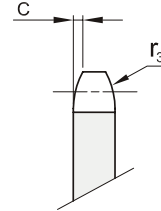
SPROCKET	[mm]
Tooth radius r_3	16
Radius width C	1,6
Tooth width b_1	9
Tooth width B_2	25,5
CHAIN	[mm]
Pitch	15,875
Internal width	9,65
Roller \varnothing	10,16



3



2



Z	D_e [mm]	D_p [mm]	D_m [mm]	A [mm]	SER-SIT® Taper bushes	Fig.	W [kg]	Part number
15	83,2	76,35	-	25,5	1210	3	0,38	QPBD10B2-015
16	88,3	81,37	-	25,5	1610	3	0,42	QPBD10B2-016
17	93,3	86,39	-	25,5	1610	3	0,47	QPBD10B2-017
18	98,3	91,42	-	25,5	1610	3	0,60	QPBD10B2-018
19	103,3	96,44	-	25,5	1610	3	0,72	QPBD10B2-019
20	108,4	101,49	-	25,5	1610	3	0,87	QPBD10B2-020
21	113,4	106,51	-	25,5	1610	3	1,01	QPBD10B2-021
22	118,4	111,55	-	25,5	1610	3	1,18	QPBD10B2-022
23	123,5	116,58	-	25,5	1610	3	1,35	QPBD10B2-023
24	128,5	121,62	90	32,0	2012	2	1,45	QPBD10B2-024
25	133,6	126,66	90	32,0	2012	2	1,55	QPBD10B2-025
26	138,6	131,70	90	32,0	2012	2	1,75	QPBD10B2-026
27	143,6	136,74	90	32,0	2012	2	1,98	QPBD10B2-027
28	148,7	141,78	90	32,0	2012	2	2,30	QPBD10B2-028
30	158,8	151,87	90	32,0	2012	2	2,63	QPBD10B2-030

Material: Steel C45

D_e	External diameter	mm
D_p	Pitch diameter	mm
D_m	Hub diameter	mm
W	Weight	kg

Duplex sprocket for taper bushes SER-SIT®

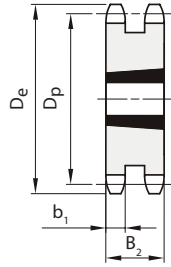
for chain according to DIN 8187 - ISO/R 606

ISO 12B-2

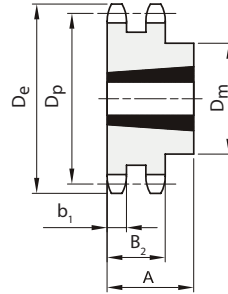
Pitch 3/4" x 7/16"



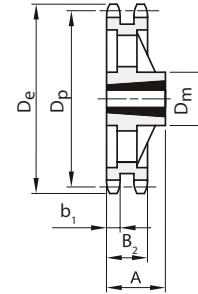
SPROCKET	[mm]
Tooth radius r_3	19
Radius width C	2
Tooth width b_1	10,8
Tooth width B_2	30,3
CHAIN	[mm]
Pitch	19,05
Internal width	11,68
Roller \varnothing	12,07



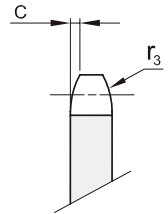
3



2



7



Z	D_e [mm]	D_p [mm]	D_m [mm]	A [mm]	SER-SIT® Taper bushes	Fig.	W [kg]	Part number
15	99,8	91,62	-	30,3	1610	3	0,68	QPBD12B2-015
16	105,8	97,65	-	30,3	1610	3	0,89	QPBD12B2-016
17	111,9	103,67	-	30,3	1610	3	1,14	QPBD12B2-017
18	117,9	109,71	90	32,0	2012	2	1,18	QPBD12B2-018
19	123,9	115,73	90	32,0	2012	2	1,24	QPBD12B2-019
20	130,0	121,78	108	44,0	2517	2	1,40	QPBD12B2-020
21	136,0	127,81	108	44,0	2517	2	1,68	QPBD12B2-021
22	142,0	133,86	108	44,0	2517	2	1,99	QPBD12B2-022
23	148,1	139,90	108	44,0	2517	2	2,24	QPBD12B2-023
24	154,1	145,94	108	44,0	2517	2	2,54	QPBD12B2-024
25	160,2	151,99	108	44,0	2517	2	2,87	QPBD12B2-025
26	166,2	158,04	108	44,0	2517	2	3,17	QPBD12B2-026
27	172,3	164,09	108	44,0	2517	2	3,55	QPBD12B2-027
28	178,3	170,13	108	44,0	2517	2	4,10	QPBD12B2-028
30	190,4	182,24	108	44,0	2517	2	4,62	QPBD12B2-030
38	238,9	230,69	140	51,0	3020	2	8,11	QPBD12B2-038
57*	355,9	345,81	160	51,0	3020	7	10,28	QPBD12B2-057
76*	471,1	460,99	160	51,0	3020	7	15,24	QPBD12B2-076

Duplex for taper bushes

Material: Steel C45
*Cast Iron EN-GJL-200

D_e	External diameter	mm
D_p	Pitch diameter	mm
D_m	Hub diameter	mm
W	Weight	kg

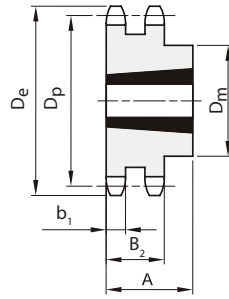
Duplex sprocket for taper bushes SER-SIT®

for chain according to DIN 8187 - ISO/R 606

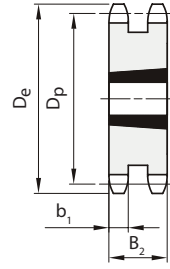
ISO 16B-2 Pitch 1" x 17,02 mm



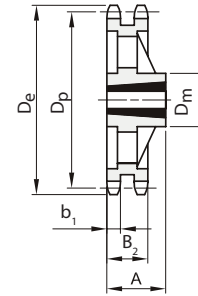
SPROCKET	[mm]
Tooth radius r_3	26
Radius width C	2,5
Tooth width b_1	15,8
Tooth width B_2	47,7
CHAIN	[mm]
Pitch	25,4
Internal width	17,02
Roller \varnothing	15,88



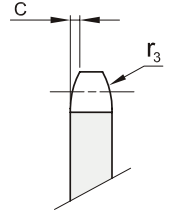
2



3



7



Z	D _e [mm]	D _p [mm]	D _m [mm]	A [mm]	SER-SIT® Taper bushes	Fig.	W [kg]	Part number
15	133,7	122,16	-	47,7	2012	3	2,11	QPBD16B2-015
16	141,8	130,20	-	47,7	2517	3	2,25	QPBD16B2-016
17	149,8	138,23	-	47,7	2517	3	2,53	QPBD16B2-017
18	157,8	146,28	-	47,7	2517	3	3,10	QPBD16B2-018
19	165,9	154,31	-	47,7	2517	3	3,80	QPBD16B2-019
20	173,9	162,38	-	47,7	2517	3	4,10	QPBD16B2-020
21	182,0	170,42	140	51,0	3020	2	4,15	QPBD16B2-021
22	190,1	178,48	140	51,0	3020	2	4,90	QPBD16B2-022
23	198,1	186,53	140	51,0	3020	2	5,69	QPBD16B2-023
24	206,2	194,59	140	51,0	3020	2	6,00	QPBD16B2-024
25	214,2	202,66	140	51,0	3020	2	6,38	QPBD16B2-025
26	222,3	210,72	140	51,0	3020	2	7,80	QPBD16B2-026
27	230,4	218,79	140	51,0	3020	2	9,27	QPBD16B2-027
28	238,4	226,85	140	51,0	3020	2	11,40	QPBD16B2-028
30	254,6	242,99	140	76,0	3030	2	13,50	QPBD16B2-030
38*	319,2	307,59	160	76,0	3030	7	14,94	QPBD16B2-038
45*	377,9	364,12	160	76,0	3030	7	19,80	QPBD16B2-045
57*	474,9	461,07	175	89,0	3535	7	22,00	QPBD16B2-057
76*	628,4	614,65	175	89,0	3535	7	37,00	QPBD16B2-076

Material: Steel C45
*Cast Iron EN-GJL-200

D _e	External diameter	mm
D _p	Pitch diameter	mm
D _m	Hub diameter	mm
W	Weight	kg

Duplex sprocket for taper bushes SER-SIT®

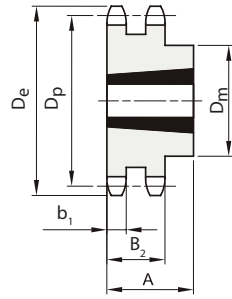
for chain according to DIN 8187 - ISO/R 606

ISO 20B-2

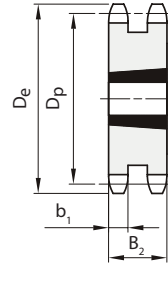
Pitch 1"1/4 x 3/4"



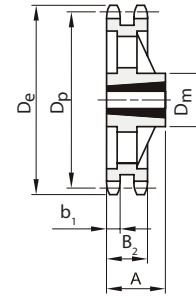
SPROCKET	[mm]
Tooth radius r_3	32
Radius width C	3,5
Tooth width b_1	18,2
Tooth width B_2	54,6
CHAIN	[mm]
Pitch	31,75
Internal width	19,56
Roller \varnothing	19,05



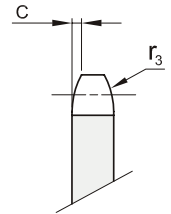
2



3



7



Z	D_e [mm]	D_p [mm]	D_m [mm]	A [mm]	SER-SIT® Taper bushes	Fig.	W [kg]	Part number
13	147,5	132,65	-	54,6	2517	3	2,20	QPBD20B2-013
15	167,7	152,72	-	54,6	2517	3	4,00	QPBD20B2-015
17	187,7	172,78	-	54,6	2517	3	5,00	QPBD20B2-017
19	207,9	192,91	140	76,0	3030	2	6,30	QPBD20B2-019
21	228,0	213,04	140	76,0	3030	2	8,80	QPBD20B2-021
23	248,2	233,17	140	76,0	3030	2	9,80	QPBD20B2-023
25	268,4	253,33	140	76,0	3030	2	10,50	QPBD20B2-025
30	318,7	303,75	160	76,0	3030	2	14,00	QPBD20B2-030
38*	399,4	384,49	160	76,0	3030	7	22,00	QPBD20B2-038
57*	592,3	576,36	175	89,0	3535	7	37,00	QPBD20B2-057
76*	784,3	768,32	175	89,0	3535	7	62,00	QPBD20B2-076

Duplex for taper bushes

Material: Steel C45
*Cast Iron EN-GJL-200

D_e	External diameter	mm
D_p	Pitch diameter	mm
D_m	Hub diameter	mm
W	Weight	kg

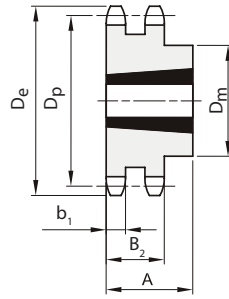
Duplex sprocket for taper bushes SER-SIT®

for chain according to DIN 8187 - ISO/R 606

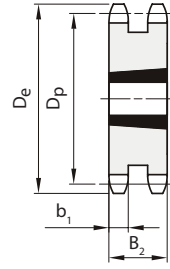
ISO 24B-2 Pitch 1"1/2 x 1"



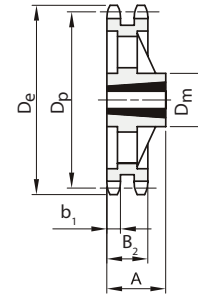
SPROCKET	[mm]
Tooth radius r_3	38
Radius width C	4
Tooth width b_1	23,6
Tooth width B_2	72
CHAIN	[mm]
Pitch	38,1
Internal width	25,4
Roller \varnothing	25,4



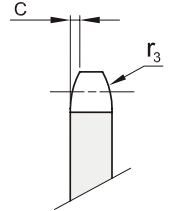
2



3



7



Z	D _e [mm]	D _p [mm]	D _m [mm]	A [mm]	SER-SIT® Taper bushes	Fig.	W [kg]	Part number
13	173,0	159,18	-	72	2517	3	5,30	QPBD24B2-013
15	197,0	183,26	-	72	3020	3	6,60	QPBD24B2-015
17	221,0	207,34	-	72	3020	3	10,30	QPBD24B2-017
19	245,5	231,49	160	76	3030	2	14,80	QPBD24B2-019
21	270,5	255,65	160	76	3030	2	19,50	QPBD24B2-021
23	294,5	279,80	175	89	3535	2	24,00	QPBD24B2-023
25	319,0	304,00	175	89	3535	2	29,00	QPBD24B2-025
30	379,5	364,50	175	89	3535	2	40,00	QPBD24B2-030
38*	476,5	461,39	175	89	3535	7	44,00	QPBD24B2-038
57*	707,5	691,63	175	89	3535	7	72,00	QPBD24B2-057
76*	939,0	921,98	216	102	4040	7	107,00	QPBD24B2-076

Material: Steel C45
*Cast Iron EN-GJL-200

D _e	External diameter	mm
D _p	Pitch diameter	mm
D _m	Hub diameter	mm
W	Weight	kg

TRIPLEX SPROCKETS FOR TAPER BUSHES SER-SIT®

Triplex sprocket for taper bushes SER-SIT®

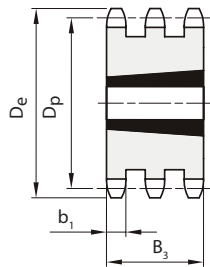
for chain according to DIN 8187 - ISO/R 606



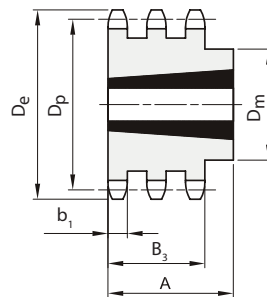
ISO 06B-3

Pitch 3/8" x 7/32"

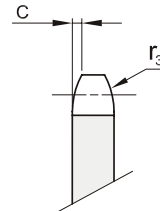
SPROCKET	[mm]
Tooth radius r_3	10
Radius width C	1
Tooth width b_1	5,2
Tooth width B_3	25,6
CHAIN	[mm]
Pitch	9,525
Internal width	5,72
Roller \varnothing	6,35



5



4



Z	D_e [mm]	D_p [mm]	D_m [mm]	A [mm]	SER-SIT® Taper bushes	Fig.	W [kg]	Part number
17	55,5	51,83	-	25,6	1008	5	0,15	QPBT06B3-017
19	61,6	57,86	-	25,6	1008	5	0,24	QPBT06B3-019
21	67,6	63,90	-	25,6	1008	5	0,34	QPBT06B3-021
23	73,7	69,95	-	25,6	1210	5	0,30	QPBT06B3-023
25	79,7	75,99	-	25,6	1210	5	0,41	QPBT06B3-025
27	85,7	82,04	-	25,6	1210	5	0,55	QPBT06B3-027
30	94,8	91,12	79	38,0	1615	4	0,88	QPBT06B3-030
38	119,0	115,34	90	38,0	1615	4	1,75	QPBT06B3-038

Material: Steel C45

D_e	External diameter	mm
D_p	Pitch diameter	mm
D_m	Hub diameter	mm
W	Weight	kg

Triplex sprocket for taper bushes SER-SIT®

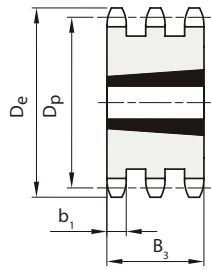
for chain according to DIN 8187 - ISO/R 606

ISO 08B-3

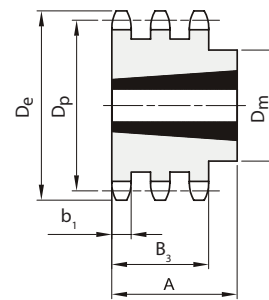
Pitch 1/2" x 5/16"



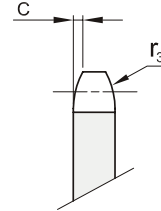
SPROCKET	[mm]
Tooth radius r_3	13
Radius width C	1,3
Tooth width b_1	7
Tooth width B_3	34,9
CHAIN	[mm]
Pitch	12,7
Internal width	7,75
Roller \varnothing	8,51



5



4



Z	D_e [mm]	D_p [mm]	D_m [mm]	A [mm]	SER-SIT® Taper bushes	Fig.	W [kg]	Part number
15	65,9	61,09	-	34,9	1008	5	0,36	QPBT08B3-015
17	74,0	69,11	-	34,9	1210	5	0,35	QPBT08B3-017
19	82,0	77,16	62	38,0	1215	4	0,61	QPBT08B3-019
21	90,1	85,22	70	38,0	1615	4	0,65	QPBT08B3-021
23	98,1	93,27	70	38,0	1615	4	0,93	QPBT08B3-023
25	106,2	101,33	-	34,9	2012	5	0,85	QPBT08B3-025
27	114,2	109,40	-	34,9	2012	5	1,18	QPBT08B3-027
30	126,3	121,50	-	34,9	2012	5	1,73	QPBT08B3-030
38	158,6	153,80	-	34,9	2012	5	3,53	QPBT08B3-038

Material: Steel C45

D_e	External diameter	mm
D_p	Pitch diameter	mm
D_m	Hub diameter	mm
W	Weight	kg

Triplex sprocket for taper bushes SER-SIT®

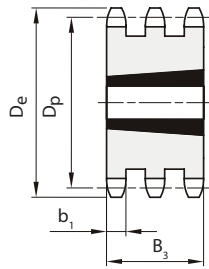
for chain according to DIN 8187 - ISO/R 606

ISO 10B-3

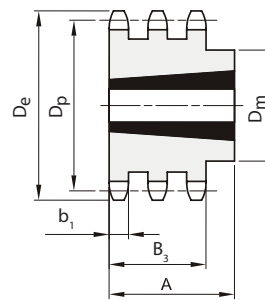
Pitch 5/8" x 3/8"



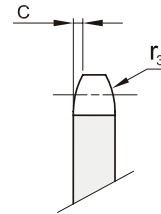
SPROCKET	[mm]
Tooth radius r_3	16
Radius width C	1,6
Tooth width b_1	9
Tooth width B_3	42,1
CHAIN	[mm]
Pitch	15,875
Internal width	9,65
Roller \varnothing	10,16



5



4



Z	D_e [mm]	D_p [mm]	D_m [mm]	A [mm]	SER-SIT® Taper bushes	Fig.	W [kg]	Part number
15	83,2	76,35	-	42,1	1215	5	0,63	QPBT10B3-015
17	93,3	86,39	-	42,1	1215	5	1,01	QPBT10B3-017
19	103,3	96,44	-	42,1	1615	5	1,19	QPBT10B3-019
21	113,4	106,51	-	42,1	1615	5	1,66	QPBT10B3-021
23	123,5	116,58	-	42,1	2012	5	1,78	QPBT10B3-023
25	133,6	126,66	105	44,0	2517	4	1,81	QPBT10B3-025
27	143,6	136,74	110	44,0	2517	4	2,45	QPBT10B3-027
30	158,8	151,87	120	44,0	2517	4	3,54	QPBT10B3-030

Triplex for taper bushes

Material: Steel C45

D_e	External diameter	mm
D_p	Pitch diameter	mm
D_m	Hub diameter	mm
W	Weight	kg

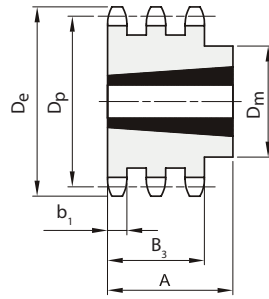
Triplex sprocket for taper bushes SER-SIT®

for chain according to DIN 8187 - ISO/R 606

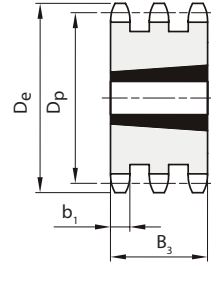
ISO 12B-3 Pitch 3/4" x 7/16"



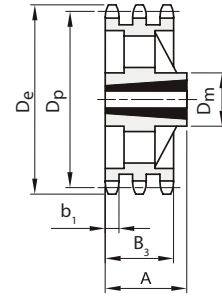
SPROCKET	[mm]
Tooth radius r_3	19
Radius width C	2
Tooth width b_1	10,8
Tooth width B_3	49,8
CHAIN	[mm]
Pitch	19,05
Internal width	11,68
Roller \varnothing	12,07



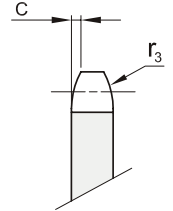
4



5



8



Z	D_e [mm]	D_p [mm]	D_m [mm]	A [mm]	SER-SIT® Taper bushes	Fig.	W [kg]	Part number
15	99,8	91,62	-	49,8	1615	5	1,11	QPBT12B3-015
17	111,9	103,67	-	49,8	1615	5	1,75	QPBT12B3-017
19	123,9	115,73	-	49,8	2012	5	1,99	QPBT12B3-019
21	136,0	127,81	-	49,8	2517	5	2,09	QPBT12B3-021
23	148,1	139,90	-	49,8	2517	5	3,00	QPBT12B3-023
25	160,2	151,99	-	49,8	2517	5	3,98	QPBT12B3-025
27	172,3	164,09	140	51,0	3020	4	3,90	QPBT12B3-027
30	190,4	182,24	140	51,0	3020	4	5,64	QPBT12B3-030
38	238,9	230,69	140	51,0	3020	4	11,58	QPBT12B3-038
57*	355,9	345,81	160	51,0	3020	8	13,23	QPBT12B3-057

Material: Steel C45
*Cast Iron EN-GJL-200

D_e	External diameter	mm
D_p	Pitch diameter	mm
D_m	Hub diameter	mm
W	Weight	kg

Triplex sprocket for taper bushes SER-SIT®

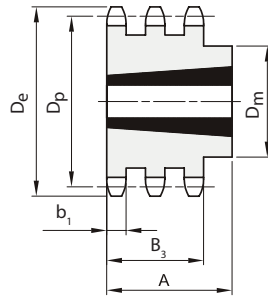
for chain according to DIN 8187 - ISO/R 606

ISO 16B-3

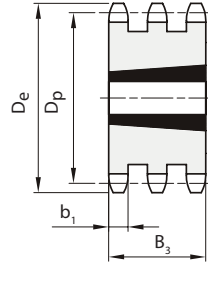
Pitch 1" x 17,02"



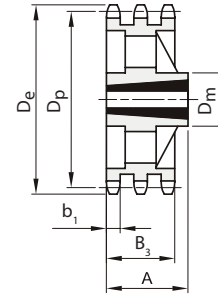
SPROCKET	[mm]
Tooth radius r_3	26
Radius width C	2,5
Tooth width b_1	15,8
Tooth width B_3	79,6
CHAIN	[mm]
Pitch	25,4
Internal width	17,02
Roller \varnothing	15,88



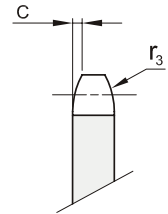
4



5



8



Z	D_e [mm]	D_p [mm]	D_m [mm]	A [mm]	SER-SIT® Taper bushes	Fig.	W [kg]	Part number
17	149,8	138,23	-	79,6	2517	5	4,29	QPBT16B3-017
19	165,9	154,31	-	79,6	3030	5	4,36	QPBT16B3-019
21	182,0	170,42	-	79,6	3030	5	6,69	QPBT16B3-021
23	198,1	186,53	159	89,0	3535	4	7,80	QPBT16B3-023
25	214,2	202,66	175	89,0	3535	4	10,93	QPBT16B3-025
27	230,4	218,79	175	89,0	3535	4	14,06	QPBT16B3-027
30	254,6	242,99	175	89,0	3535	4	19,10	QPBT16B3-030
38*	319,2	307,59	175	89,0	3535	8	21,65	QPBT16B3-038
45*	377,9	364,12	175	89,0	3535	8	28,10	QPBT16B3-045
57*	474,9	461,07	216	102,0	4040	8	40,50	QPBT16B3-057
76*	628,4	614,65	216	102,0	4040	8	53,30	QPBT16B3-076

Triplex for taper bushes

Material: Steel C45
*Cast Iron EN-GJL-200

D_e	External diameter	mm
D_p	Pitch diameter	mm
D_m	Hub diameter	mm
W	Weight	kg

Triplex sprocket for taper bushes SER-SIT®

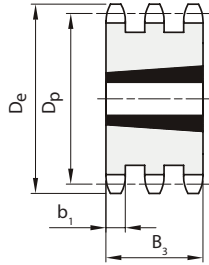
for chain according to DIN 8187 - ISO/R 606

ISO 20B-3

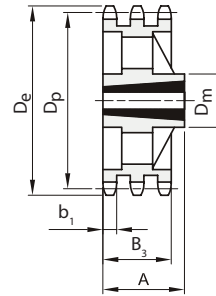
Pitch 1"1/4 x 3/4"



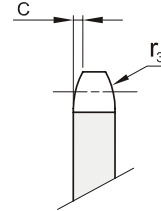
SPROCKET	[mm]
Tooth radius r_3	32
Radius width C	3,5
Tooth width b_1	18,2
Tooth width B_3	91
CHAIN	[mm]
Pitch	31,75
Internal width	19,56
Roller \varnothing	19,05



5



8



Z	D_e [mm]	D_p [mm]	D_m [mm]	A [mm]	SER-SIT® Taper bushes	Fig.	W [kg]	Part number
15	167,7	152,72	-	91	3020	5	4,43	QPBT20B3-015
17	187,7	172,78	-	91	3030	5	7,39	QPBT20B3-017
19	207,9	192,91	-	91	3030	5	11,65	QPBT20B3-019
21	228,0	213,04	-	91	3535	5	12,80	QPBT20B3-021
23	248,2	233,17	-	91	3535	5	17,38	QPBT20B3-023
25	268,4	253,33	-	91	3535	5	22,40	QPBT20B3-025
30	318,7	303,75	-	91	3535	5	36,50	QPBT20B3-030
38*	399,4	384,49	178	91	3535	8	28,00	QPBT20B3-038
57*	592,3	576,36	216	102	4040	8	42,00	QPBT20B3-057
76*	784,3	768,32	260	114	4545	8	85,00	QPBT20B3-076

Material: Steel C45
*Cast Iron EN-GJL-200

D_e	External diameter	mm
D_p	Pitch diameter	mm
D_m	Hub diameter	mm
W	Weight	kg

Triplex sprocket for taper bushes SER-SIT®

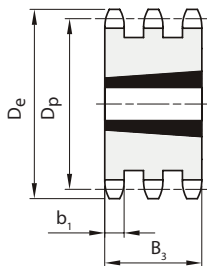
for chain according to DIN 8187 - ISO/R 606

ISO 24B-3

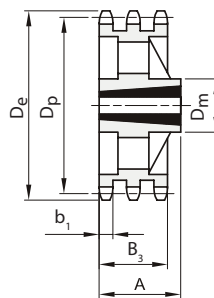
Pitch 1"1/2 x 1"



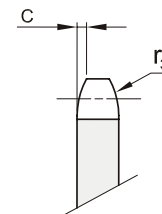
SPROCKET	[mm]
Tooth radius r_3	38
Radius width C	4
Tooth width b_1	23,6
Tooth width B_3	120,3
CHAIN	[mm]
Pitch	38,1
Internal width	25,4
Roller \varnothing	25,4



5



8



Z	D_e [mm]	D_p [mm]	D_m [mm]	A [mm]	SER-SIT® Taper bushes	Fig.	W [kg]	Part number
15	197,0	183,26	-	120,3	3030	5	20,00	QPBT24B3-015
17	221,0	207,34	-	120,3	3030	5	25,00	QPBT24B3-017
19	245,5	231,49	-	120,3	3535	5	30,00	QPBT24B3-019
21	270,5	255,65	-	120,3	4040	5	35,00	QPBT24B3-021
23	294,5	279,80	-	120,3	4040	5	44,00	QPBT24B3-023
25	319,0	304,00	-	120,3	4040	5	50,00	QPBT24B3-025
30	379,5	364,50	-	120,3	4040	5	60,00	QPBT24B3-030
38*	476,5	461,39	-	120,3	4040	8	66,00	QPBT24B3-038
57*	707,5	691,63	-	120,3	4545	8	120,00	QPBT24B3-057
76*	939,0	921,98	-	120,3	4545	8	131,00	QPBT24B3-076

Triplex for taper bushes

Material: Steel C45
*Cast Iron EN-GJL-200

D_e	External diameter	mm
D_p	Pitch diameter	mm
D_m	Hub diameter	mm
W	Weight	kg

Simplex sprockets with induction hardened teeth

The background of the entire page is a close-up photograph of several silver-colored metal sprockets. The sprockets are arranged in a way that shows their teeth and the central bores. The lighting is bright, highlighting the metallic texture and the sharp edges of the teeth. The background is a solid light blue color.

SPROCKETS WITH FINISHED BORE

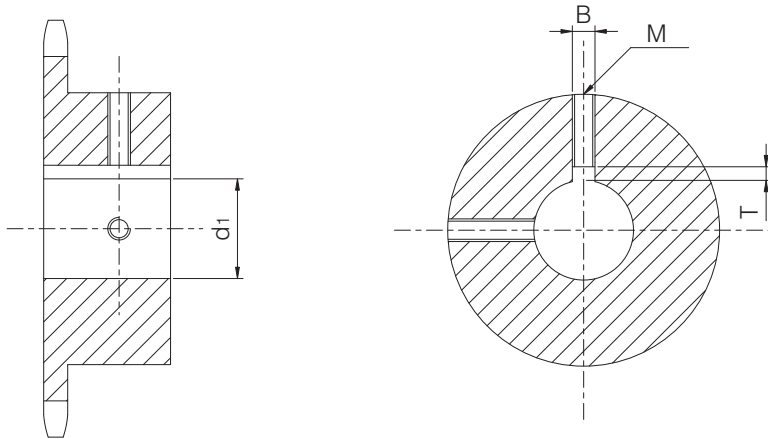
INDEX

SIMPLEX SPROCKETS WITH HARDENED TEETH	Page
Simplex sprocket	
Technical data according to DIN 8187 - ISO/R 606	101
ISO 06B-1 Pitch 3/8" x 7/32"	102 - 103
ISO 08B-1 Pitch 1/2" x 5/16"	104 - 105
ISO 10B-1 Pitch 5/8" x 3/8"	106 - 107
ISO 12B-1 Pitch 3/4" x 7/16"	108 - 109
ISO 16B-1 Pitch 1" x 17,02 mm	110 - 111

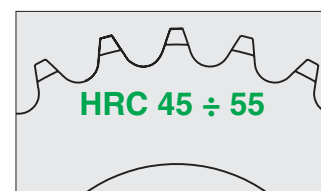
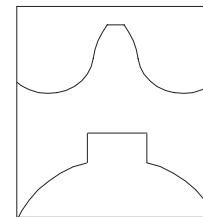


Simplex sprocket with induction hardened teeth, with finished bore, keyway and 2 set screws

According to DIN 8187 - ISO/R 606



\varnothing bore d_1 (H7)	B (H9)	T	M
10	4	1,8 (+0,10/0)	M3
11	4	1,8 (+0,10/0)	M3
12	4	1,8 (+0,10/0)	M3
14	5	2,3 (+0,10/0)	M4
16	5	2,3 (+0,10/0)	M4
18	6	2,8 (+0,10/0)	M5
19	6	2,8 (+0,10/0)	M5
20	6	2,8 (+0,10/0)	M5
22	6	2,8 (+0,10/0)	M5
24	8	3,3 (+0,20/0)	M6
25	8	3,3 (+0,20/0)	M6
28	8	3,3 (+0,20/0)	M6
30	8	3,3 (+0,20/0)	M6
32	10	3,3 (+0,20/0)	M8
35	10	3,3 (+0,20/0)	M8
38	10	3,3 (+0,20/0)	M8
40	12	3,3 (+0,20/0)	M10
42	12	3,3 (+0,20/0)	M10
45	14	3,8 (+0,20/0)	M12
48	14	3,8 (+0,20/0)	M12
50	14	3,8 (+0,20/0)	M12
60	18	4,4 (+0,20/0)	M12
65	18	4,4 (+0,20/0)	M12
70	20	4,9 (+0,20/0)	M12



Sprocket with finished bore

Simplex sprocket with hardened teeth and finished bore

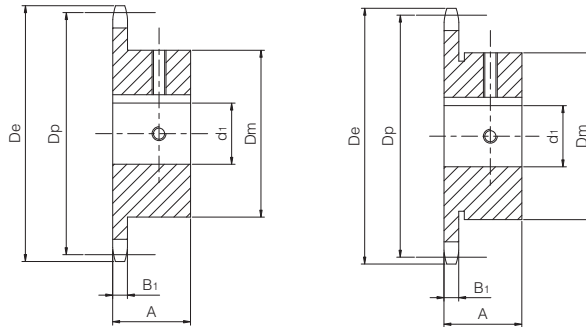
According to DIN 8187 - ISO/R 606

ISO 06B-1

Pitch 3/8" x 7/32"



SPROCKET		[mm]
Tooth radius r_3	10	
Radius width C	1	
Tooth width B_1	5,3	
CHAIN		[mm]
Pitch	9,525	
Internal width	5,72	
Roller \emptyset	6,35	



Type = *

Z	De [mm]	Dp [mm]	Dm [mm]	d1 [mm]	A [mm]	W [kg]	Part number
10	34	30,82	24	10	22	0,08	QPF06B1-010F10
	34	30,82	26	12	22	0,09	QPF06B1-010F12
	34	30,82	29	14	22	0,10	QPF06B1-010F14
11	37	33,8	24	10	25	0,10	QPF06B1-011F10
	37	33,8	26	12	25	0,11	QPF06B1-011F12
	37	33,8	*29	14	25	0,12	QPF06B1-011F14
12	40	36,8	25	10	25	0,11	QPF06B1-012F10
	40	36,8	26	12	25	0,11	QPF06B1-012F12
	40	36,8	29	14	25	0,13	QPF06B1-012F14
13	43	39,79	*31	16	25	0,12	QPF06B1-011F16
	43	39,79	28	10	25	0,14	QPF06B1-013F10
	43	39,79	28	12	25	0,13	QPF06B1-013F12
14	46,3	42,8	31	14	25	0,16	QPF06B1-014F14
	46,3	42,8	31	16	25	0,15	QPF06B1-014F16
	46,3	42,8	35	18	25	0,17	QPF06B1-014F18
15	49,3	45,81	34	12	25	0,20	QPF06B1-015F12
	49,3	45,81	34	14	25	0,19	QPF06B1-015F14
	49,3	45,81	34	15	25	0,19	QPF06B1-015F15
16	52,3	48,82	37	12	28	0,26	QPF06B1-016F12
	52,3	48,82	37	14	28	0,25	QPF06B1-016F14
	52,3	48,82	37	15	28	0,24	QPF06B1-016F15
17	55,3	51,83	40	12	28	0,30	QPF06B1-017F12
	55,3	51,83	40	14	28	0,29	QPF06B1-017F14
	55,3	51,83	40	15	28	0,29	QPF06B1-017F15
18	58,3	54,85	43	12	28	0,35	QPF06B1-018F12
	58,3	54,85	43	14	28	0,34	QPF06B1-018F14
	58,3	54,85	43	15	28	0,33	QPF06B1-018F15
19	61,3	57,87	45	12	28	0,38	QPF06B1-019F12
	61,3	57,87	45	14	28	0,37	QPF06B1-019F14
	61,3	57,87	45	15	28	0,37	QPF06B1-019F15
20	64,3	60,89	46	12	28	0,41	QPF06B1-020F12
	64,3	60,89	46	14	28	0,40	QPF06B1-020F14
	64,3	60,89	46	16	28	0,39	QPF06B1-020F16
11	37	33,8	26	12	25	0,11	QPF06B1-011F12
	37	33,8	*29	14	25	0,12	QPF06B1-011F14
	37	33,8	*31	16	25	0,12	QPF06B1-011F16
12	40	36,8	25	10	25	0,11	QPF06B1-012F10
	40	36,8	26	12	25	0,11	QPF06B1-012F12
	40	36,8	29	14	25	0,13	QPF06B1-012F14
13	43	39,79	28	10	25	0,14	QPF06B1-013F10
	43	39,79	28	12	25	0,13	QPF06B1-013F12
	43	39,79	29	14	25	0,13	QPF06B1-013F14
14	46,3	42,8	31	14	25	0,16	QPF06B1-014F14
	46,3	42,8	31	16	25	0,15	QPF06B1-014F16
	46,3	42,8	35	18	25	0,17	QPF06B1-014F18
15	49,3	45,81	34	12	25	0,20	QPF06B1-015F12
	49,3	45,81	34	14	25	0,19	QPF06B1-015F14
	49,3	45,81	34	15	25	0,19	QPF06B1-015F15
16	52,3	48,82	37	12	28	0,26	QPF06B1-016F12
	52,3	48,82	37	14	28	0,25	QPF06B1-016F14
	52,3	48,82	37	15	28	0,24	QPF06B1-016F15
17	55,3	51,83	40	12	28	0,30	QPF06B1-017F12
	55,3	51,83	40	14	28	0,29	QPF06B1-017F14
	55,3	51,83	40	15	28	0,29	QPF06B1-017F15
18	58,3	54,85	43	12	28	0,35	QPF06B1-018F12
	58,3	54,85	43	14	28	0,34	QPF06B1-018F14
	58,3	54,85	43	15	28	0,33	QPF06B1-018F15
19	61,3	57,87	45	12	28	0,38	QPF06B1-019F12
	61,3	57,87	45	14	28	0,37	QPF06B1-019F14
	61,3	57,87	45	15	28	0,37	QPF06B1-019F15
20	64,3	60,89	46	12	28	0,41	QPF06B1-020F12
	64,3	60,89	46	14	28	0,40	QPF06B1-020F14
	64,3	60,89	46	16	28	0,39	QPF06B1-020F16

Z	De [mm]	Dp [mm]	Dm [mm]	d1 [mm]	A [mm]	W [kg]	Part number
17	55,3	51,83	40	12	28	0,30	QPF06B1-017F12
	55,3	51,83	40	14	28	0,29	QPF06B1-017F14
	55,3	51,83	40	15	28	0,29	QPF06B1-017F15
18	58,3	54,85	43	12	28	0,35	QPF06B1-018F12
	58,3	54,85	43	14	28	0,34	QPF06B1-018F14
	58,3	54,85	43	15	28	0,33	QPF06B1-018F15
19	61,3	57,87	45	12	28	0,38	QPF06B1-019F12
	61,3	57,87	45	14	28	0,37	QPF06B1-019F14
	61,3	57,87	45	15	28	0,37	QPF06B1-019F15
20	64,3	60,89	46	12	28	0,41	QPF06B1-020F12
	64,3	60,89	46	14	28	0,40	QPF06B1-020F14
	64,3	60,89	46	16	28	0,39	QPF06B1-020F16

Material: Steel C45

De External diameter mm
Dp Pitch diameter mm
Dm Hub diameter mm
W Weight kg



Z	D _e [mm]	D _p [mm]	D _m [mm]	d ₁ [mm]	A [mm]	W [kg]	Part number
21	68	63,91	48	16	28	0,43	QPF06B1-021F16
	68	63,91	48	18	28	0,42	QPF06B1-021F18
	68	63,91	48	19	28	0,41	QPF06B1-021F19
	68	63,91	48	20	28	0,41	QPF06B1-021F20
	68	63,91	48	22	28	0,39	QPF06B1-021F22
	68	63,91	48	24	28	0,38	QPF06B1-021F24
	68	63,91	48	25	28	0,37	QPF06B1-021F25
22	71	66,93	50	16	28	0,47	QPF06B1-022F16
	71	66,93	50	18	28	0,46	QPF06B1-022F18
	71	66,93	50	19	28	0,46	QPF06B1-022F19
	71	66,93	50	20	28	0,45	QPF06B1-022F20
	71	66,93	50	22	28	0,43	QPF06B1-022F22
	71	66,93	50	24	28	0,42	QPF06B1-022F24
	71	66,93	50	25	28	0,41	QPF06B1-022F25
23	73,5	69,95	52	16	28	0,51	QPF06B1-023F16
	73,5	69,95	52	18	28	0,50	QPF06B1-023F18
	73,5	69,95	52	19	28	0,50	QPF06B1-023F19
	73,5	69,95	52	20	28	0,49	QPF06B1-023F20
	73,5	69,95	52	22	28	0,47	QPF06B1-023F22
	73,5	69,95	52	24	28	0,46	QPF06B1-023F24
	73,5	69,95	52	25	28	0,45	QPF06B1-023F25
24	77	72,97	54	16	28	0,56	QPF06B1-024F16
	77	72,97	54	18	28	0,55	QPF06B1-024F18
	77	72,97	54	19	28	0,54	QPF06B1-024F19
	77	72,97	54	20	28	0,54	QPF06B1-024F20
	77	72,97	54	22	28	0,52	QPF06B1-024F22
	77	72,97	54	24	28	0,51	QPF06B1-024F24
	77	72,97	54	25	28	0,50	QPF06B1-024F25
25	80	76,02	57	16	28	0,62	QPF06B1-025F16
	80	76,02	57	18	28	0,61	QPF06B1-025F18
	80	76,02	57	19	28	0,61	QPF06B1-025F19
	80	76,02	57	20	28	0,60	QPF06B1-025F20
	80	76,02	57	22	28	0,58	QPF06B1-025F22
	80	76,02	57	24	28	0,57	QPF06B1-025F24
	80	76,02	57	25	28	0,56	QPF06B1-025F25
	80	76,02	57	28	28	0,53	QPF06B1-025F28
80	76,02	57	30	28	0,51	QPF06B1-025F30	

Sprocket with finished bore

Materiale: C45

D_e External diameter mm
 D_p Pitch diameter mm
 D_m Hub diameter mm
 W Weight kg

Simplex sprocket with hardened teeth and finished bore

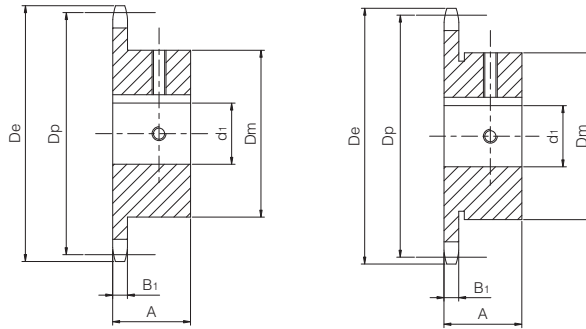
According to DIN 8187 - ISO/R 606

ISO 08B1

Pitch 1/2" x 5/16"



SPROCKET		[mm]
Tooth radius r_3		13
Radius width C		1,3
Tooth width B_1		7,2
CHAIN		[mm]
Pitch		12,7
Internal width		7,75
Roller \varnothing		8,51



Type = *

Z	De [mm]	Dp [mm]	Dm [mm]	d1 [mm]	A [mm]	W [kg]	Part number
10	45,2	41,1	26	12	25	0,14	QPF08B1-010F12
	45,2	41,1	29	14	25	0,15	QPF08B1-010F14
	45,2	41,1	31	16	25	0,16	QPF08B1-010F16
11	48,7	45,07	29	12	25	0,18	QPF08B1-011F12
	48,7	45,07	29	14	25	0,17	QPF08B1-011F14
	48,7	45,07	31	16	25	0,17	QPF08B1-011F16
	48,7	45,07	34	18	25	0,18	QPF08B1-011F18
12	48,7	45,07	35	19	25	0,19	QPF08B1-011F19
	53	49,07	33	12	28	0,24	QPF08B1-012F12
	53	49,07	33	14	28	0,23	QPF08B1-012F14
	53	49,07	33	16	28	0,22	QPF08B1-012F16
	53	49,07	33	18	28	0,21	QPF08B1-012F18
	53	49,07	35	19	28	0,22	QPF08B1-012F19
	53	49,07	36	20	28	0,22	QPF08B1-012F20
13	53	49,07	38	22	28	0,23	QPF08B1-012F22
	53	49,07	*41	24	28	0,24	QPF08B1-012F24
	53	49,07	*42	25	28	0,24	QPF08B1-012F25
	57,4	53,06	37	12	28	0,30	QPF08B1-013F12
	57,4	53,06	37	14	28	0,29	QPF08B1-013F14
	57,4	53,06	37	15	28	0,28	QPF08B1-013F15
	57,4	53,06	37	16	28	0,28	QPF08B1-013F16
	57,4	53,06	37	18	28	0,27	QPF08B1-013F18
	57,4	53,06	37	19	28	0,26	QPF08B1-013F19
	57,4	53,06	37	20	28	0,25	QPF08B1-013F20
14	57,4	53,06	37	22	28	0,24	QPF08B1-013F22
	57,4	53,06	42	24	28	0,27	QPF08B1-013F24
	57,4	53,06	42	25	28	0,27	QPF08B1-013F25
	57,4	53,06	*45	28	28	0,27	QPF08B1-013F28
	61,8	57,07	41	12	28	0,36	QPF08B1-014F12
	61,8	57,07	41	14	28	0,35	QPF08B1-014F14
	61,8	57,07	41	15	28	0,35	QPF08B1-014F15
	61,8	57,07	41	16	28	0,34	QPF08B1-014F16
	61,8	57,07	41	18	28	0,33	QPF08B1-014F18
	61,8	57,07	41	19	28	0,32	QPF08B1-014F19
	61,8	57,07	41	20	28	0,32	QPF08B1-014F20
	61,8	57,07	41	22	28	0,30	QPF08B1-014F22
	61,8	57,07	41	24	28	0,29	QPF08B1-014F24
61,8	57,07	41	25	28	0,28	QPF08B1-014F25	
61,8	57,07	45	28	28	0,30	QPF08B1-014F28	
61,8	57,07	45	28	28	0,30	QPF08B1-014F28	

Z	De [mm]	Dp [mm]	Dm [mm]	d1 [mm]	A [mm]	W [kg]	Part number
15	65,5	61,09	45	12	28	0,43	QPF08B1-015F12
	65,5	61,09	45	14	28	0,42	QPF08B1-015F14
	65,5	61,09	45	15	28	0,41	QPF08B1-015F15
	65,5	61,09	45	16	28	0,41	QPF08B1-015F16
	65,5	61,09	45	18	28	0,40	QPF08B1-015F18
	65,5	61,09	45	19	28	0,39	QPF08B1-015F19
	65,5	61,09	45	20	28	0,38	QPF08B1-015F20
	65,5	61,09	45	22	28	0,37	QPF08B1-015F22
	65,5	61,09	45	24	28	0,35	QPF08B1-015F24
	65,5	61,09	45	25	28	0,34	QPF08B1-015F25
	65,5	61,09	45	28	28	0,32	QPF08B1-015F28
	65,5	61,09	47	30	28	0,32	QPF08B1-015F30
	65,5	61,09	49	32	28	0,32	QPF08B1-015F32
	16	69,5	65,1	50	16	28	0,49
69,5		65,1	50	18	28	0,48	QPF08B1-016F18
69,5		65,1	50	19	28	0,48	QPF08B1-016F19
69,5		65,1	50	20	28	0,47	QPF08B1-016F20
69,5		65,1	50	22	28	0,45	QPF08B1-016F22
69,5		65,1	50	24	28	0,44	QPF08B1-016F24
69,5		65,1	50	25	28	0,43	QPF08B1-016F25
69,5		65,1	50	28	28	0,40	QPF08B1-016F28
69,5		65,1	50	30	28	0,38	QPF08B1-016F30
69,5		65,1	53	32	28	0,40	QPF08B1-016F32
73,6		69,11	52	16	28	0,55	QPF08B1-017F16
73,6		69,11	52	18	28	0,53	QPF08B1-017F18
73,6		69,11	52	19	28	0,53	QPF08B1-017F19
73,6	69,11	52	20	28	0,52	QPF08B1-017F20	
73,6	69,11	52	22	28	0,51	QPF08B1-017F22	
73,6	69,11	52	24	28	0,49	QPF08B1-017F24	
73,6	69,11	52	25	28	0,48	QPF08B1-017F25	
73,6	69,11	52	28	28	0,45	QPF08B1-017F28	
73,6	69,11	52	30	28	0,43	QPF08B1-017F30	
73,6	69,11	52	32	28	0,41	QPF08B1-017F32	

Material: Steel C45

De External diameter mm
 Dp Pitch diameter mm
 Dm Hub diameter mm
 W Weight kg



Z	D _e [mm]	D _p [mm]	D _m [mm]	d ₁ [mm]	A [mm]	W [kg]	Part number
18	77,8	73,14	56	16	28	0,63	QPF08B1-018F16
	77,8	73,14	56	18	28	0,62	QPF08B1-018F18
	77,8	73,14	56	19	28	0,61	QPF08B1-018F19
	77,8	73,14	56	20	28	0,61	QPF08B1-018F20
	77,8	73,14	56	22	28	0,59	QPF08B1-018F22
	77,8	73,14	56	24	28	0,58	QPF08B1-018F24
	77,8	73,14	56	25	28	0,57	QPF08B1-018F25
	77,8	73,14	56	28	28	0,54	QPF08B1-018F28
	77,8	73,14	56	30	28	0,52	QPF08B1-018F30
	77,8	73,14	56	32	28	0,50	QPF08B1-018F32
19	81,7	77,16	60	16	28	0,72	QPF08B1-019F16
	81,7	77,16	60	18	28	0,71	QPF08B1-019F18
	81,7	77,16	60	19	28	0,70	QPF08B1-019F19
	81,7	77,16	60	20	28	0,69	QPF08B1-019F20
	81,7	77,16	60	22	28	0,68	QPF08B1-019F22
	81,7	77,16	60	24	28	0,66	QPF08B1-019F24
	81,7	77,16	60	25	28	0,65	QPF08B1-019F25
	81,7	77,16	60	28	28	0,63	QPF08B1-019F28
	81,7	77,16	60	30	28	0,61	QPF08B1-019F30
	81,7	77,16	60	32	28	0,58	QPF08B1-019F32
20	85,8	81,19	64	16	28	0,81	QPF08B1-020F16
	85,8	81,19	64	18	28	0,80	QPF08B1-020F18
	85,8	81,19	64	19	28	0,79	QPF08B1-020F19
	85,8	81,19	64	20	28	0,79	QPF08B1-020F20
	85,8	81,19	64	22	28	0,77	QPF08B1-020F22
	85,8	81,19	64	24	28	0,76	QPF08B1-020F24
	85,8	81,19	64	25	28	0,75	QPF08B1-020F25
	85,8	81,19	64	28	28	0,72	QPF08B1-020F28
	85,8	81,19	64	30	28	0,70	QPF08B1-020F30
	85,8	81,19	64	32	28	0,68	QPF08B1-020F32
21	89,7	85,22	68	16	28	0,91	QPF08B1-021F16
	89,7	85,22	68	18	28	0,90	QPF08B1-021F18
	89,7	85,22	68	19	28	0,89	QPF08B1-021F19
	89,7	85,22	68	20	28	0,89	QPF08B1-021F20
	89,7	85,22	68	22	28	0,87	QPF08B1-021F22
	89,7	85,22	68	24	28	0,86	QPF08B1-021F24
	89,7	85,22	68	25	28	0,85	QPF08B1-021F25
	89,7	85,22	68	28	28	0,82	QPF08B1-021F28
	89,7	85,22	68	30	28	0,80	QPF08B1-021F30
	89,7	85,22	68	32	28	0,78	QPF08B1-021F32

Z	D _e [mm]	D _p [mm]	D _m [mm]	d ₁ [mm]	A [mm]	W [kg]	Part number
22	93,8	89,24	70	16	28	0,98	QPF08B1-022F16
	93,8	89,24	70	18	28	0,97	QPF08B1-022F18
	93,8	89,24	70	19	28	0,96	QPF08B1-022F19
	93,8	89,24	70	20	28	0,96	QPF08B1-022F20
	93,8	89,24	70	22	28	0,94	QPF08B1-022F22
	93,8	89,24	70	24	28	0,93	QPF08B1-022F24
	93,8	89,24	70	25	28	0,92	QPF08B1-022F25
	93,8	89,24	70	28	28	0,89	QPF08B1-022F28
	93,8	89,24	70	30	28	0,87	QPF08B1-022F30
	93,8	89,24	70	32	28	0,85	QPF08B1-022F32
23	98,2	93,27	70	19	28	1,00	QPF08B1-023F19
	98,2	93,27	70	20	28	0,99	QPF08B1-023F20
	98,2	93,27	70	22	28	0,98	QPF08B1-023F22
	98,2	93,27	70	24	28	0,96	QPF08B1-023F24
	98,2	93,27	70	25	28	0,95	QPF08B1-023F25
	98,2	93,27	70	28	28	0,93	QPF08B1-023F28
	98,2	93,27	70	30	28	0,91	QPF08B1-023F30
	98,2	93,27	70	32	28	0,89	QPF08B1-023F32
	98,2	93,27	70	35	28	0,85	QPF08B1-023F35
	98,2	93,27	70	38	28	0,81	QPF08B1-023F38
24	101,8	97,29	70	19	28	1,03	QPF08B1-024F19
	101,8	97,29	70	20	28	1,03	QPF08B1-024F20
	101,8	97,29	70	22	28	1,01	QPF08B1-024F22
	101,8	97,29	70	24	28	1,00	QPF08B1-024F24
	101,8	97,29	70	25	28	0,99	QPF08B1-024F25
	101,8	97,29	70	28	28	0,96	QPF08B1-024F28
	101,8	97,29	70	30	28	0,94	QPF08B1-024F30
	101,8	97,29	70	32	28	0,92	QPF08B1-024F32
	101,8	97,29	70	35	28	0,88	QPF08B1-024F35
	101,8	97,29	70	38	28	0,84	QPF08B1-024F38
25	105,8	101,33	70	19	28	1,07	QPF08B1-025F19
	105,8	101,33	70	20	28	1,06	QPF08B1-025F20
	105,8	101,33	70	22	28	1,05	QPF08B1-025F22
	105,8	101,33	70	24	28	1,03	QPF08B1-025F24
	105,8	101,33	70	25	28	1,02	QPF08B1-025F25
	105,8	101,33	70	28	28	1,00	QPF08B1-025F28
	105,8	101,33	70	30	28	0,98	QPF08B1-025F30
	105,8	101,33	70	32	28	0,95	QPF08B1-025F32
	105,8	101,33	70	35	28	0,92	QPF08B1-025F35
	105,8	101,33	70	38	28	0,88	QPF08B1-025F38

Sprocket with finished bore

Material: Steel C45

D_e External diameter mm
 D_p Pitch diameter mm
 D_m Hub diameter mm
 W Weight kg

Simplex sprocket with hardened teeth and finished bore

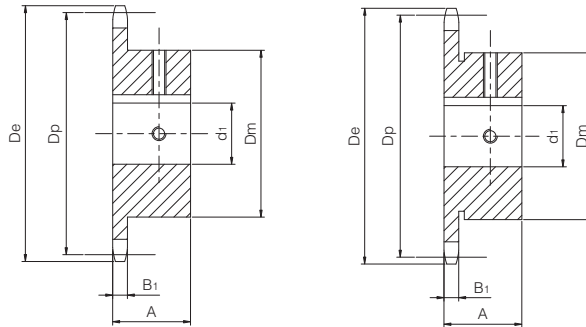
According to DIN 8187 - ISO/R 606

ISO 10B-1

Pitch 5/8" x 3/8"



SPROCKET		[mm]
Tooth radius r_3		16
Radius width C		1,6
Tooth width B_1		9,1
CHAIN		[mm]
Pitch		15,875
Internal width		9,65
Roller \varnothing		10,16



Type = *

Z	De [mm]	Dp [mm]	Dm [mm]	d1 [mm]	A [mm]	W [kg]	Part number
10	57,5	51,37	35	16	25	0,27	QPF10B1-010F16
	57,5	51,37	35	19	25	0,25	QPF10B1-010F19
	57,5	51,37	35	20	25	0,25	QPF10B1-010F20
	57,5	51,37	*42	24	25	0,27	QPF10B1-010F24
11	63	56,34	37	16	30	0,35	QPF10B1-011F16
	63	56,34	37	18	30	0,34	QPF10B1-011F18
	63	56,34	37	19	30	0,33	QPF10B1-011F19
	63	56,34	37	20	30	0,33	QPF10B1-011F20
	63	56,34	42	24	30	0,35	QPF10B1-011F24
	63	56,34	42	25	30	0,34	QPF10B1-011F25
12	63	56,34	45	28	30	0,34	QPF10B1-011F28
	68	61,34	42	16	30	0,44	QPF10B1-012F16
	68	61,34	42	18	30	0,43	QPF10B1-012F18
	68	61,34	42	19	30	0,42	QPF10B1-012F19
	68	61,34	42	20	30	0,42	QPF10B1-012F20
	68	61,34	42	22	30	0,40	QPF10B1-012F22
	68	61,34	42	24	30	0,38	QPF10B1-012F24
	68	61,34	44	25	30	0,40	QPF10B1-012F25
	68	61,34	47	28	30	0,40	QPF10B1-012F28
	68	61,34	49	30	30	0,40	QPF10B1-012F30
13	68	61,34	51	32	30	0,41	QPF10B1-012F32
	73	66,32	47	16	30	0,54	QPF10B1-013F16
	73	66,32	47	18	30	0,53	QPF10B1-013F18
	73	66,32	47	19	30	0,52	QPF10B1-013F19
	73	66,32	47	20	30	0,51	QPF10B1-013F20
	73	66,32	47	22	30	0,50	QPF10B1-013F22
	73	66,32	47	24	30	0,48	QPF10B1-013F24
	73	66,32	47	25	30	0,47	QPF10B1-013F25
	73	66,32	47	28	30	0,44	QPF10B1-013F28
	73	66,32	49	30	30	0,44	QPF10B1-013F30
14	73	66,32	51	32	30	0,45	QPF10B1-013F32
	78	71,34	52	16	30	0,65	QPF10B1-014F16
	78	71,34	52	18	30	0,63	QPF10B1-014F18
	78	71,34	52	19	30	0,63	QPF10B1-014F19
	78	71,34	52	20	30	0,62	QPF10B1-014F20
	78	71,34	52	22	30	0,60	QPF10B1-014F22
	78	71,34	52	24	30	0,59	QPF10B1-014F24
	78	71,34	52	25	30	0,58	QPF10B1-014F25
	78	71,34	52	28	30	0,55	QPF10B1-014F28
	78	71,34	52	30	30	0,53	QPF10B1-014F30
78	71,34	52	32	30	0,50	QPF10B1-014F32	

Z	De [mm]	Dp [mm]	Dm [mm]	d1 [mm]	A [mm]	W [kg]	Part number
15	83	76,36	57	19	30	0,74	QPF10B1-015F19
	83	76,36	57	20	30	0,74	QPF10B1-015F20
	83	76,36	57	22	30	0,72	QPF10B1-015F22
	83	76,36	57	24	30	0,70	QPF10B1-015F24
	83	76,36	57	25	30	0,69	QPF10B1-015F25
	83	76,36	57	28	30	0,66	QPF10B1-015F28
	83	76,36	57	30	30	0,64	QPF10B1-015F30
	83	76,36	57	32	30	0,62	QPF10B1-015F32
	83	76,36	57	35	30	0,58	QPF10B1-015F35
	83	76,36	57	35	30	0,58	QPF10B1-015F35
16	88	81,37	60	19	30	0,84	QPF10B1-016F19
	88	81,37	60	20	30	0,83	QPF10B1-016F20
	88	81,37	60	22	30	0,81	QPF10B1-016F22
	88	81,37	60	24	30	0,80	QPF10B1-016F24
	88	81,37	60	25	30	0,79	QPF10B1-016F25
	88	81,37	60	28	30	0,76	QPF10B1-016F28
	88	81,37	60	30	30	0,74	QPF10B1-016F30
	88	81,37	60	32	30	0,71	QPF10B1-016F32
	88	81,37	60	35	30	0,68	QPF10B1-016F35
	88	81,37	60	38	30	0,64	QPF10B1-016F38
17	93	86,39	60	19	30	0,89	QPF10B1-017F19
	93	86,39	60	20	30	0,88	QPF10B1-017F20
	93	86,39	60	22	30	0,87	QPF10B1-017F22
	93	86,39	60	24	30	0,85	QPF10B1-017F24
	93	86,39	60	25	30	0,84	QPF10B1-017F25
	93	86,39	60	28	30	0,81	QPF10B1-017F28
	93	86,39	60	30	30	0,79	QPF10B1-017F30
	93	86,39	60	32	30	0,76	QPF10B1-017F32
	93	86,39	60	35	30	0,73	QPF10B1-017F35
	93	86,39	60	38	30	0,69	QPF10B1-017F38
18	98,3	91,42	70	19	30	1,11	QPF10B1-018F19
	98,3	91,42	70	20	30	1,11	QPF10B1-018F20
	98,3	91,42	70	22	30	1,09	QPF10B1-018F22
	98,3	91,42	70	24	30	1,07	QPF10B1-018F24
	98,3	91,42	70	28	30	1,04	QPF10B1-018F28
	98,3	91,42	70	30	30	1,01	QPF10B1-018F30
	98,3	91,42	70	32	30	0,99	QPF10B1-018F32
	98,3	91,42	70	35	30	0,95	QPF10B1-018F35
	98,3	91,42	70	38	30	0,91	QPF10B1-018F38
	98,3	91,42	70	40	30	0,88	QPF10B1-018F40
98,3	91,42	70	42	30	0,85	QPF10B1-018F42	

Material: Steel C45

De External diameter mm
 Dp Pitch diameter mm
 Dm Hub diameter mm
 W Weight kg



Z	D _e [mm]	D _p [mm]	D _m [mm]	d ₁ [mm]	A [mm]	W [kg]	Part number
19	103,3	96,45	70	19	30	1,17	QPF10B1-019F19
	103,3	96,45	70	20	30	1,16	QPF10B1-019F20
	103,3	96,45	70	22	30	1,15	QPF10B1-019F22
	103,3	96,45	70	24	30	1,13	QPF10B1-019F24
	103,3	96,45	70	25	30	1,12	QPF10B1-019F25
	103,3	96,45	70	28	30	1,09	QPF10B1-019F28
	103,3	96,45	70	30	30	1,07	QPF10B1-019F30
	103,3	96,45	70	32	30	1,05	QPF10B1-019F32
	103,3	96,45	70	35	30	1,01	QPF10B1-019F35
	103,3	96,45	70	38	30	0,97	QPF10B1-019F38
20	108,4	101,49	75	19	30	1,33	QPF10B1-020F19
	108,4	101,49	75	20	30	1,32	QPF10B1-020F20
	108,4	101,49	75	22	30	1,30	QPF10B1-020F22
	108,4	101,49	75	24	30	1,29	QPF10B1-020F24
	108,4	101,49	75	25	30	1,28	QPF10B1-020F25
	108,4	101,49	75	28	30	1,25	QPF10B1-020F28
	108,4	101,49	75	30	30	1,23	QPF10B1-020F30
	108,4	101,49	75	32	30	1,20	QPF10B1-020F32
	108,4	101,49	75	35	30	1,16	QPF10B1-020F35
	108,4	101,49	75	38	30	1,12	QPF10B1-020F38
21	113,4	106,52	75	19	30	1,39	QPF10B1-021F19
	113,4	106,52	75	20	30	1,38	QPF10B1-021F20
	113,4	106,52	75	22	30	1,37	QPF10B1-021F22
	113,4	106,52	75	24	30	1,35	QPF10B1-021F24
	113,4	106,52	75	25	30	1,34	QPF10B1-021F25
	113,4	106,52	75	28	30	1,31	QPF10B1-021F28
	113,4	106,52	75	30	30	1,29	QPF10B1-021F30
	113,4	106,52	75	32	30	1,26	QPF10B1-021F32
	113,4	106,52	75	35	30	1,23	QPF10B1-021F35
	113,4	106,52	75	38	30	1,19	QPF10B1-021F38
22	118	111,55	80	19	30	1,55	QPF10B1-022F19
	118	111,55	80	20	30	1,54	QPF10B1-022F20
	118	111,55	80	22	30	1,53	QPF10B1-022F22
	118	111,55	80	24	30	1,51	QPF10B1-022F24
	118	111,55	80	25	30	1,50	QPF10B1-022F25
	118	111,55	80	28	30	1,47	QPF10B1-022F28
	118	111,55	80	30	30	1,45	QPF10B1-022F30
	118	111,55	80	32	30	1,43	QPF10B1-022F32
	118	111,55	80	35	30	1,39	QPF10B1-022F35
	118	111,55	80	38	30	1,35	QPF10B1-022F38

Z	D _e [mm]	D _p [mm]	D _m [mm]	d ₁ [mm]	A [mm]	W [kg]	Part number
23	123,5	116,58	80	19	30	1,62	QPF10B1-023F19
	123,5	116,58	80	20	30	1,62	QPF10B1-023F20
	123,5	116,58	80	22	30	1,60	QPF10B1-023F22
	123,5	116,58	80	24	30	1,58	QPF10B1-023F24
	123,5	116,58	80	25	30	1,57	QPF10B1-023F25
	123,5	116,58	80	28	30	1,55	QPF10B1-023F28
	123,5	116,58	80	30	30	1,52	QPF10B1-023F30
	123,5	116,58	80	32	30	1,50	QPF10B1-023F32
	123,5	116,58	80	35	30	1,46	QPF10B1-023F35
	123,5	116,58	80	38	30	1,42	QPF10B1-023F38
24	128,3	121,62	80	19	30	1,69	QPF10B1-024F19
	128,3	121,62	80	20	30	1,68	QPF10B1-024F20
	128,3	121,62	80	22	30	1,67	QPF10B1-024F22
	128,3	121,62	80	24	30	1,65	QPF10B1-024F24
	128,3	121,62	80	25	30	1,64	QPF10B1-024F25
	128,3	121,62	80	28	30	1,61	QPF10B1-024F28
	128,3	121,62	80	30	30	1,59	QPF10B1-024F30
	128,3	121,62	80	32	30	1,57	QPF10B1-024F32
	128,3	121,62	80	35	30	1,53	QPF10B1-024F35
	128,3	121,62	80	38	30	1,49	QPF10B1-024F38
25	134	126,66	80	19	30	1,78	QPF10B1-025F19
	134	126,66	80	20	30	1,77	QPF10B1-025F20
	134	126,66	80	22	30	1,75	QPF10B1-025F22
	134	126,66	80	24	30	1,74	QPF10B1-025F24
	134	126,66	80	25	30	1,73	QPF10B1-025F25
	134	126,66	80	28	30	1,70	QPF10B1-025F28
	134	126,66	80	30	30	1,68	QPF10B1-025F30
	134	126,66	80	32	30	1,65	QPF10B1-025F32
	134	126,66	80	35	30	1,62	QPF10B1-025F35
	134	126,66	80	38	30	1,57	QPF10B1-025F38

Sprocket with finished bore

Material: Steel C45

D_e External diameter mm
 D_p Pitch diameter mm
 D_m Hub diameter mm
 W Weight kg

Simplex sprocket with hardened teeth and finished bore

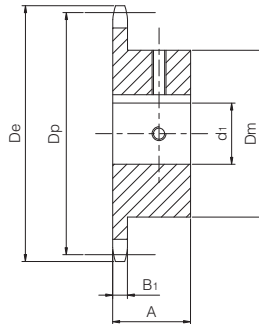
According to DIN 8187 - ISO/R 606

ISO 12B-1

Pitch 3/4" x 7/16"



SPROCKET		[mm]
Tooth radius r_3		19
Radius width C		2
Tooth width B_1		11,1
CHAIN		[mm]
Pitch		19,05
Internal width		11,68
Roller \varnothing		12,07



Z	De [mm]	Dp [mm]	Dm [mm]	d1 [mm]	A [mm]	W [kg]	Part number
10	69	61,64	42	19	30	0,47	QPF12B1-010F19
	69	61,64	42	20	30	0,46	QPF12B1-010F20
	69	61,64	42	24	30	0,43	QPF12B1-010F24
	69	61,64	42	25	30	0,42	QPF12B1-010F25
11	75	67,61	48	19	35	0,65	QPF12B1-011F19
	75	67,61	48	20	35	0,64	QPF12B1-011F20
	75	67,61	48	24	35	0,60	QPF12B1-011F24
	75	67,61	48	25	35	0,59	QPF12B1-011F25
12	81,5	73,6	52	19	35	0,78	QPF12B1-012F19
	81,5	73,6	52	20	35	0,77	QPF12B1-012F20
	81,5	73,6	52	24	35	0,73	QPF12B1-012F24
	81,5	73,6	52	25	35	0,72	QPF12B1-012F25
	81,5	73,6	52	28	35	0,69	QPF12B1-012F28
	81,5	73,6	52	30	35	0,66	QPF12B1-012F30
	81,5	73,6	53	32	35	0,65	QPF12B1-012F32
13	87,5	79,59	58	19	35	0,95	QPF12B1-013F19
	87,5	79,59	58	20	35	0,94	QPF12B1-013F20
	87,5	79,59	58	24	35	0,90	QPF12B1-013F24
	87,5	79,59	58	25	35	0,89	QPF12B1-013F25
	87,5	79,59	58	28	35	0,86	QPF12B1-013F28
	87,5	79,59	58	30	35	0,83	QPF12B1-013F30
	87,5	79,59	58	32	35	0,80	QPF12B1-013F32
	87,5	79,59	58	35	35	0,76	QPF12B1-013F35
	87,5	79,59	58	38	35	0,71	QPF12B1-013F38
14	93,6	85,61	64	19	35	1,13	QPF12B1-014F19
	93,6	85,61	64	20	35	1,12	QPF12B1-014F20
	93,6	85,61	64	24	35	1,09	QPF12B1-014F24
	93,6	85,61	64	25	35	1,08	QPF12B1-014F25
	93,6	85,61	64	28	35	1,04	QPF12B1-014F28
	93,6	85,61	64	30	35	1,02	QPF12B1-014F30
	93,6	85,61	64	32	35	0,99	QPF12B1-014F32
	93,6	85,61	64	35	35	0,94	QPF12B1-014F35
	93,6	85,61	64	38	35	0,90	QPF12B1-014F38
	93,6	85,61	67	40	35	0,92	QPF12B1-014F40

Z	De [mm]	Dp [mm]	Dm [mm]	d1 [mm]	A [mm]	W [kg]	Part number
15	99,8	91,63	70	24	35	1,29	QPF12B1-015F24
	99,8	91,63	70	25	35	1,28	QPF12B1-015F25
	99,8	91,63	70	28	35	1,24	QPF12B1-015F28
	99,8	91,63	70	30	35	1,22	QPF12B1-015F30
	99,8	91,63	70	32	35	1,19	QPF12B1-015F32
	99,8	91,63	70	35	35	1,15	QPF12B1-015F35
	99,8	91,63	70	38	35	1,10	QPF12B1-015F38
	99,8	91,63	70	40	35	1,07	QPF12B1-015F40
	16	105,5	97,65	75	19	35	1,52
105,5		97,65	75	20	35	1,51	QPF12B1-016F20
105,5		97,65	75	24	35	1,48	QPF12B1-016F24
105,5		97,65	75	25	35	1,46	QPF12B1-016F25
105,5		97,65	75	28	35	1,43	QPF12B1-016F28
105,5		97,65	75	30	35	1,41	QPF12B1-016F30
105,5		97,65	75	32	35	1,38	QPF12B1-016F32
105,5		97,65	75	35	35	1,33	QPF12B1-016F35
105,5		97,65	75	38	35	1,29	QPF12B1-016F38
105,5		97,65	75	40	35	1,25	QPF12B1-016F40
17	111,5	103,67	80	25	35	1,67	QPF12B1-017F25
	111,5	103,67	80	28	35	1,64	QPF12B1-017F28
	111,5	103,67	80	30	35	1,61	QPF12B1-017F30
	111,5	103,67	80	32	35	1,58	QPF12B1-017F32
	111,5	103,67	80	35	35	1,54	QPF12B1-017F35
	111,5	103,67	80	38	35	1,49	QPF12B1-017F38
	111,5	103,67	80	40	35	1,46	QPF12B1-017F40
	111,5	103,67	80	42	35	1,42	QPF12B1-017F42
18	118	109,71	80	25	35	1,77	QPF12B1-018F25
	118	109,71	80	28	35	1,74	QPF12B1-018F28
	118	109,71	80	30	35	1,71	QPF12B1-018F30
	118	109,71	80	32	35	1,69	QPF12B1-018F32
	118	109,71	80	35	35	1,64	QPF12B1-018F35
	118	109,71	80	38	35	1,59	QPF12B1-018F38
	118	109,71	80	40	35	1,56	QPF12B1-018F40
	118	109,71	80	42	35	1,52	QPF12B1-018F42

Material: Steel C45

De External diameter mm
 Dp Pitch diameter mm
 Dm Hub diameter mm
 W Weight kg



Z	D _e [mm]	D _p [mm]	D _m [mm]	d ₁ [mm]	A [mm]	W [kg]	Part number
19	124,2	115,75	80	25	35	1,88	QPF12B1-019F25
	124,2	115,75	80	28	35	1,84	QPF12B1-019F28
	124,2	115,75	80	30	35	1,82	QPF12B1-019F30
	124,2	115,75	80	32	35	1,79	QPF12B1-019F32
	124,2	115,75	80	35	35	1,75	QPF12B1-019F35
	124,2	115,75	80	38	35	1,70	QPF12B1-019F38
	124,2	115,75	80	40	35	1,66	QPF12B1-019F40
	124,2	115,75	80	42	35	1,63	QPF12B1-019F42
	124,2	115,75	80	45	35	1,57	QPF12B1-019F45
	124,2	115,75	80	48	35	1,51	QPF12B1-019F48
124,2	115,75	80	50	35	1,47	QPF12B1-019F50	
20	129,7	121,78	80	25	35	1,97	QPF12B1-020F25
	129,7	121,78	80	28	35	1,94	QPF12B1-020F28
	129,7	121,78	80	30	35	1,91	QPF12B1-020F30
	129,7	121,78	80	32	35	1,89	QPF12B1-020F32
	129,7	121,78	80	35	35	1,84	QPF12B1-020F35
	129,7	121,78	80	38	35	1,79	QPF12B1-020F38
	129,7	121,78	80	40	35	1,76	QPF12B1-020F40
	129,7	121,78	80	42	35	1,72	QPF12B1-020F42
	129,7	121,78	80	45	35	1,67	QPF12B1-020F45
	129,7	121,78	80	48	35	1,61	QPF12B1-020F48
129,7	121,78	80	50	35	1,56	QPF12B1-020F50	
21	136	127,82	90	25	35	2,34	QPF12B1-021F25
	136	127,82	90	28	35	2,30	QPF12B1-021F28
	136	127,82	90	30	35	2,28	QPF12B1-021F30
	136	127,82	90	32	35	2,25	QPF12B1-021F32
	136	127,82	90	35	35	2,21	QPF12B1-021F35
	136	127,82	90	38	35	2,16	QPF12B1-021F38
	136	127,82	90	40	35	2,13	QPF12B1-021F40
	136	127,82	90	42	35	2,09	QPF12B1-021F42
	136	127,82	90	45	35	2,04	QPF12B1-021F45
	136	127,82	90	48	35	1,97	QPF12B1-021F48
136	127,82	90	50	35	1,93	QPF12B1-021F50	
22	141	133,86	90	25	40	2,67	QPF12B1-022F25
	141	133,86	90	28	40	2,63	QPF12B1-022F28
	141	133,86	90	30	40	2,60	QPF12B1-022F30
	141	133,86	90	32	40	2,57	QPF12B1-022F32
	141	133,86	90	35	40	2,52	QPF12B1-022F35
	141	133,86	90	38	40	2,46	QPF12B1-022F38
	141	133,86	90	40	40	2,42	QPF12B1-022F40
	141	133,86	90	42	40	2,38	QPF12B1-022F42
	141	133,86	90	45	40	2,32	QPF12B1-022F45
	141	133,86	90	48	40	2,25	QPF12B1-022F48
141	133,86	90	50	40	2,20	QPF12B1-022F50	

Z	D _e [mm]	D _p [mm]	D _m [mm]	d ₁ [mm]	A [mm]	W [kg]	Part number
23	149	139,9	90	25	40	2,83	QPF12B1-023F25
	149	139,9	90	28	40	2,79	QPF12B1-023F28
	149	139,9	90	30	40	2,76	QPF12B1-023F30
	149	139,9	90	32	40	2,73	QPF12B1-023F32
	149	139,9	90	35	40	2,68	QPF12B1-023F35
	149	139,9	90	38	40	2,62	QPF12B1-023F38
	149	139,9	90	40	40	2,58	QPF12B1-023F40
	149	139,9	90	42	40	2,54	QPF12B1-023F42
	149	139,9	90	45	40	2,48	QPF12B1-023F45
	149	139,9	90	48	40	2,41	QPF12B1-023F48
149	139,9	90	50	40	2,36	QPF12B1-023F50	
24	153,9	145,94	90	25	40	2,93	QPF12B1-024F25
	153,9	145,94	90	28	40	2,89	QPF12B1-024F28
	153,9	145,94	90	30	40	2,86	QPF12B1-024F30
	153,9	145,94	90	32	40	2,83	QPF12B1-024F32
	153,9	145,94	90	35	40	2,78	QPF12B1-024F35
	153,9	145,94	90	38	40	2,73	QPF12B1-024F38
	153,9	145,94	90	40	40	2,69	QPF12B1-024F40
	153,9	145,94	90	42	40	2,65	QPF12B1-024F42
	153,9	145,94	90	45	40	2,58	QPF12B1-024F45
	153,9	145,94	90	48	40	2,51	QPF12B1-024F48
153,9	145,94	90	50	40	2,46	QPF12B1-024F50	
25	160	152	90	25	40	3,06	QPF12B1-025F25
	160	152	90	28	40	3,02	QPF12B1-025F28
	160	152	90	30	40	2,99	QPF12B1-025F30
	160	152	90	32	40	2,96	QPF12B1-025F32
	160	152	90	35	40	2,91	QPF12B1-025F35
	160	152	90	38	40	2,86	QPF12B1-025F38
	160	152	90	40	40	2,82	QPF12B1-025F40
	160	152	90	42	40	2,78	QPF12B1-025F42
	160	152	90	45	40	2,71	QPF12B1-025F45
	160	152	90	48	40	2,64	QPF12B1-025F48
160	152	90	50	40	2,60	QPF12B1-025F50	

Sprocket with finished bore

Material: Steel C45

D_e External diameter mm
 D_p Pitch diameter mm
 D_m Hub diameter mm
 W Weight kg

Simplex sprocket with hardened teeth and finished bore

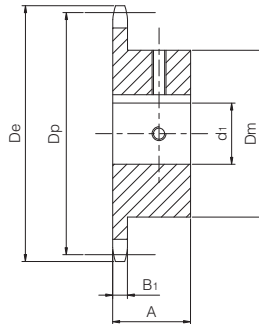
According to DIN 8187 - ISO/R 606

ISO 16B-1

Pitch 1" x 17,02 mm



SPROCKET		[mm]
Tooth radius r_3		26
Radius width C		2,5
Tooth width B_1		16,2
CHAIN		[mm]
Pitch		25,4
Internal width		17,02
Roller \varnothing		15,88



Z	De [mm]	Dp [mm]	Dm [mm]	d1 [mm]	A [mm]	W [kg]	Part number
11	99,5	90,14	61	25	40	1,43	QPF16B1-011F25
	99,5	90,14	61	28	40	1,39	QPF16B1-011F28
	99,5	90,14	61	30	40	1,36	QPF16B1-011F30
	99,5	90,14	61	32	40	1,33	QPF16B1-011F32
	99,5	90,14	61	35	40	1,28	QPF16B1-011F35
	99,5	90,14	65	38	40	1,30	QPF16B1-011F38
	99,5	90,14	67	40	40	1,30	QPF16B1-011F40
	99,5	90,14	69	42	40	1,30	QPF16B1-011F42
12	109	98,14	69	25	40	1,74	QPF16B1-012F25
	109	98,14	69	28	40	1,70	QPF16B1-012F28
	109	98,14	69	30	40	1,67	QPF16B1-012F30
	109	98,14	69	32	40	1,64	QPF16B1-012F32
	109	98,14	69	35	40	1,59	QPF16B1-012F35
	109	98,14	69	38	40	1,54	QPF16B1-012F38
	109	98,14	69	40	40	1,50	QPF16B1-012F40
	109	98,14	69	42	40	1,46	QPF16B1-012F42
13	117	106,12	78	25	40	2,12	QPF16B1-013F25
	117	106,12	78	28	40	2,08	QPF16B1-013F28
	117	106,12	78	30	40	2,05	QPF16B1-013F30
	117	106,12	78	32	40	2,02	QPF16B1-013F32
	117	106,12	78	35	40	1,97	QPF16B1-013F35
	117	106,12	78	38	40	1,92	QPF16B1-013F38
	117	106,12	78	40	40	1,88	QPF16B1-013F40
	117	106,12	78	42	40	1,84	QPF16B1-013F42
	117	106,12	78	45	40	1,77	QPF16B1-013F45
	117	106,12	78	48	40	1,70	QPF16B1-013F48
14	125	114,15	84	25	40	2,46	QPF16B1-014F25
	125	114,15	84	28	40	2,42	QPF16B1-014F28
	125	114,15	84	30	40	2,39	QPF16B1-014F30
	125	114,15	84	32	40	2,36	QPF16B1-014F32
	125	114,15	84	35	40	2,31	QPF16B1-014F35
	125	114,15	84	38	40	2,25	QPF16B1-014F38
	125	114,15	84	40	40	2,22	QPF16B1-014F40
	125	114,15	84	42	40	2,17	QPF16B1-014F42
	125	114,15	84	45	40	2,11	QPF16B1-014F45
	125	114,15	84	48	40	2,04	QPF16B1-014F48
	125	114,15	84	50	40	1,99	QPF16B1-014F50

Z	De [mm]	Dp [mm]	Dm [mm]	d1 [mm]	A [mm]	W [kg]	Part number	
15	133	122,17	92	25	40	2,87	QPF16B1-015F25	
	133	122,17	92	28	40	2,83	QPF16B1-015F28	
	133	122,17	92	30	40	2,80	QPF16B1-015F30	
	133	122,17	92	32	40	2,77	QPF16B1-015F32	
	133	122,17	92	35	40	2,72	QPF16B1-015F35	
	133	122,17	92	38	40	2,67	QPF16B1-015F38	
	133	122,17	92	40	40	2,63	QPF16B1-015F40	
	133	122,17	92	42	40	2,59	QPF16B1-015F42	
	133	122,17	92	45	40	2,53	QPF16B1-015F45	
	133	122,17	92	48	40	2,46	QPF16B1-015F48	
	133	122,17	92	50	40	2,41	QPF16B1-015F50	
	16	141	130,2	100	25	45	3,61	QPF16B1-016F25
		141	130,2	100	28	45	3,57	QPF16B1-016F28
141		130,2	100	30	45	3,53	QPF16B1-016F30	
141		130,2	100	32	45	3,50	QPF16B1-016F32	
141		130,2	100	35	45	3,44	QPF16B1-016F35	
141		130,2	100	38	45	3,38	QPF16B1-016F38	
141		130,2	100	40	45	3,34	QPF16B1-016F40	
141		130,2	100	42	45	3,29	QPF16B1-016F42	
141		130,2	100	45	45	3,22	QPF16B1-016F45	
141		130,2	100	48	45	3,14	QPF16B1-016F48	
17	149	138,22	100	25	45	3,84	QPF16B1-017F25	
	149	138,22	100	28	45	3,80	QPF16B1-017F28	
	149	138,22	100	30	45	3,77	QPF16B1-017F30	
	149	138,22	100	32	45	3,73	QPF16B1-017F32	
	149	138,22	100	35	45	3,68	QPF16B1-017F35	
	149	138,22	100	38	45	3,62	QPF16B1-017F38	
	149	138,22	100	40	45	3,57	QPF16B1-017F40	
	149	138,22	100	42	45	3,53	QPF16B1-017F42	
	149	138,22	100	45	45	3,45	QPF16B1-017F45	
	149	138,22	100	48	45	3,38	QPF16B1-017F48	
	149	138,22	100	50	45	3,32	QPF16B1-017F50	

Material: Steel C45

De External diameter mm
 Dp Pitch diameter mm
 Dm Hub diameter mm
 W Weight kg



Sprocket with finished bore

Z	D _e [mm]	D _p [mm]	D _m [mm]	d ₁ [mm]	A [mm]	W [kg]	Part number
18	157	146,28	100	25	45	4,09	QPF16B1-018F25
	157	146,28	100	28	45	4,05	QPF16B1-018F28
	157	146,28	100	30	45	4,01	QPF16B1-018F30
	157	146,28	100	32	45	3,98	QPF16B1-018F32
	157	146,28	100	35	45	3,92	QPF16B1-018F35
	157	146,28	100	38	45	3,86	QPF16B1-018F38
	157	146,28	100	40	45	3,82	QPF16B1-018F40
	157	146,28	100	42	45	3,77	QPF16B1-018F42
	157	146,28	100	45	45	3,70	QPF16B1-018F45
	157	146,28	100	48	45	3,62	QPF16B1-018F48
157	146,28	100	50	45	3,57	QPF16B1-018F50	
19	165,2	154,33	100	25	45	4,36	QPF16B1-019F25
	165,2	154,33	100	28	45	4,31	QPF16B1-019F28
	165,2	154,33	100	30	45	4,28	QPF16B1-019F30
	165,2	154,33	100	32	45	4,24	QPF16B1-019F32
	165,2	154,33	100	35	45	4,19	QPF16B1-019F35
	165,2	154,33	100	38	45	4,13	QPF16B1-019F38
	165,2	154,33	100	40	45	4,08	QPF16B1-019F40
	165,2	154,33	100	42	45	4,04	QPF16B1-019F42
	165,2	154,33	100	45	45	3,96	QPF16B1-019F45
	165,2	154,33	100	48	45	3,89	QPF16B1-019F48
	165,2	154,33	100	50	45	3,83	QPF16B1-019F50
	20	173,2	162,38	100	25	45	4,63
173,2		162,38	100	28	45	4,58	QPF16B1-020F28
173,2		162,38	100	30	45	4,55	QPF16B1-020F30
173,2		162,38	100	32	45	4,52	QPF16B1-020F32
173,2		162,38	100	35	45	4,46	QPF16B1-020F35
173,2		162,38	100	38	45	4,40	QPF16B1-020F38
173,2		162,38	100	40	45	4,36	QPF16B1-020F40
173,2		162,38	100	42	45	4,31	QPF16B1-020F42
173,2		162,38	100	45	45	4,24	QPF16B1-020F45
173,2		162,38	100	48	45	4,16	QPF16B1-020F48
173,2	162,38	100	50	45	4,10	QPF16B1-020F50	
21	181,2	170,43	110	25	45	5,29	QPF16B1-021F25
	181,2	170,43	110	28	45	5,24	QPF16B1-021F28
	181,2	170,43	110	30	45	5,21	QPF16B1-021F30
	181,2	170,43	110	32	45	5,18	QPF16B1-021F32
	181,2	170,43	110	35	45	5,12	QPF16B1-021F35
	181,2	170,43	110	38	45	5,06	QPF16B1-021F38
	181,2	170,43	110	40	45	5,02	QPF16B1-021F40
	181,2	170,43	110	42	45	4,97	QPF16B1-021F42
	181,2	170,43	110	45	45	4,90	QPF16B1-021F45
	181,2	170,43	110	48	45	4,82	QPF16B1-021F48
22	189,3	178,48	110	25	45	5,59	QPF16B1-022F25
	189,3	178,48	110	28	45	5,55	QPF16B1-022F28
	189,3	178,48	110	30	45	5,51	QPF16B1-022F30
	189,3	178,48	110	32	45	5,48	QPF16B1-022F32
	189,3	178,48	110	35	45	5,42	QPF16B1-022F35
	189,3	178,48	110	38	50	5,69	QPF16B1-022F38
	189,3	178,48	110	40	50	5,64	QPF16B1-022F40
	189,3	178,48	110	42	50	5,59	QPF16B1-022F42
	189,3	178,48	110	45	50	5,51	QPF16B1-022F45
	189,3	178,48	110	48	50	5,42	QPF16B1-022F48
189,3	178,48	110	50	50	5,36	QPF16B1-022F50	

Material: Steel C45

Z	D _e [mm]	D _p [mm]	D _m [mm]	d ₁ [mm]	A [mm]	W [kg]	Part number
23	197,5	186,53	110	25	50	6,26	QPF16B1-023F25
	197,5	186,53	110	28	50	6,22	QPF16B1-023F28
	197,5	186,53	110	30	50	6,18	QPF16B1-023F30
	197,5	186,53	110	32	50	6,14	QPF16B1-023F32
	197,5	186,53	110	35	50	6,08	QPF16B1-023F35
	197,5	186,53	110	38	50	6,01	QPF16B1-023F38
	197,5	186,53	110	40	50	5,96	QPF16B1-023F40
	197,5	186,53	110	42	50	5,91	QPF16B1-023F42
	197,5	186,53	110	45	50	5,83	QPF16B1-023F45
	197,5	186,53	110	48	50	5,74	QPF16B1-023F48
197,5	186,53	110	50	50	5,68	QPF16B1-023F50	
24	205,5	194,59	110	25	50	6,59	QPF16B1-024F25
	205,5	194,59	110	28	50	6,54	QPF16B1-024F28
	205,5	194,59	110	30	50	6,50	QPF16B1-024F30
	205,5	194,59	110	32	50	6,46	QPF16B1-024F32
	205,5	194,59	110	35	50	6,40	QPF16B1-024F35
	205,5	194,59	110	38	50	6,33	QPF16B1-024F38
	205,5	194,59	110	40	50	6,29	QPF16B1-024F40
	205,5	194,59	110	42	50	6,24	QPF16B1-024F42
	205,5	194,59	110	45	50	6,15	QPF16B1-024F45
	205,5	194,59	110	48	50	6,07	QPF16B1-024F48
205,5	194,59	110	50	50	6,01	QPF16B1-024F50	
25	213,5	202,66	110	25	50	6,93	QPF16B1-025F25
	213,5	202,66	110	28	50	6,88	QPF16B1-025F28
	213,5	202,66	110	30	50	6,84	QPF16B1-025F30
	213,5	202,66	110	32	50	6,80	QPF16B1-025F32
	213,5	202,66	110	35	50	6,74	QPF16B1-025F35
	213,5	202,66	110	38	50	6,67	QPF16B1-025F38
	213,5	202,66	110	40	50	6,62	QPF16B1-025F40
	213,5	202,66	110	42	50	6,57	QPF16B1-025F42
	213,5	202,66	110	45	50	6,49	QPF16B1-025F45
	213,5	202,66	110	48	50	6,40	QPF16B1-025F48
213,5	202,66	110	50	50	6,34	QPF16B1-025F50	

D_e External diameter mm
 D_p Pitch diameter mm
 D_m Hub diameter mm
 W Weight kg

Simplex and duplex hardened sprockets with pilot bore

The background of the central section is a light blue gradient. It features several silver-colored metal sprockets of various sizes. One large sprocket is in sharp focus in the center, showing its teeth and a central pilot bore. Other sprockets are visible in the foreground and background, some slightly out of focus, creating a sense of depth. The sprockets are arranged in a way that suggests they are part of a larger mechanical assembly.

SPROCKETS WITH PILOT BORE

INDEX

SIMPLEX AND DUPLEX HARDENED SPROCKETS WITH PILOT BORE	Page
Simplex sprockets	
ISO 06B-1 Pitch 3/8" x 7/32"	115
ISO 08B-1 Pitch 1/2" x 5/16"	116
ISO 10B-1 Pitch 5/8" x 3/8"	117
ISO 12B-1 Pitch 3/4" x 7/16"	118
ISO 16B-1 Pitch 1" x 17,02 mm	119
Duplex sprockets	
ISO 06B-2 Pitch 3/8" x 7/32"	120
ISO 08B-2 Pitch 1/2" x 5/16"	121
ISO 10B-2 Pitch 5/8" x 3/8"	122
ISO 12B-2 Pitch 3/4" x 7/16"	123
ISO 16B-2 Pitch 1" x 17,02 mm	124

SIMPLEX HARDENED SPROCKETS WITH PILOT BORE

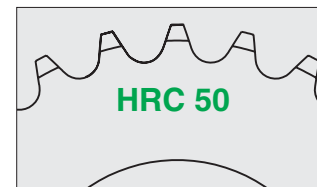
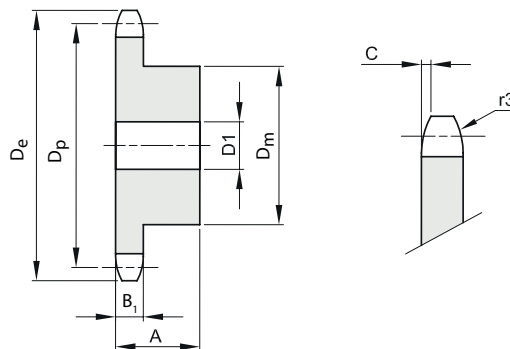
Simplex hardened sprocket with pilot bore



ISO 06B-1

Pitch 3/8" x 7/32"

SPROCKET	[mm]
Tooth radius r_3	10
Radius width C	1
Tooth width B_1	5,3
CHAIN	[mm]
Pitch	9,525
Internal width	5,71
Roller \varnothing	6,35



Z	De [mm]	Dp [mm]	Dm [mm]	D1 [mm]	A [mm]	W [kg]	Part number
13	43,5	39,80	28	8	25	0,13	QPH06B1-013
14	46,5	42,80	31	8	25	0,16	QPH06B1-014
15	49,5	45,81	34	8	25	0,19	QPH06B1-015
16	52,5	48,82	37	10	28	0,24	QPH06B1-016
17	55,5	51,83	40	10	28	0,28	QPH06B1-017
18	58,6	54,85	43	10	28	0,33	QPH06B1-018
19	61,6	57,87	45	10	28	0,36	QPH06B1-019
20	64,6	60,89	46	10	28	0,39	QPH06B1-020
21	67,6	63,91	48	12	28	0,42	QPH06B1-021
22	70,6	66,93	50	12	28	0,46	QPH06B1-022
23	73,7	69,95	52	12	28	0,50	QPH06B1-023
24	76,7	72,97	54	12	28	0,54	QPH06B1-024
25	79,7	76,00	57	12	28	0,60	QPH06B1-025
30	94,8	91,12	60	12	30	0,72	QPH06B1-030

Sprockets with pilot bore

Material: Steel C45

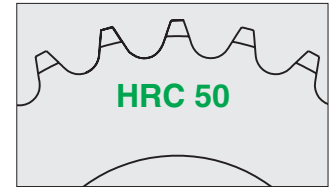
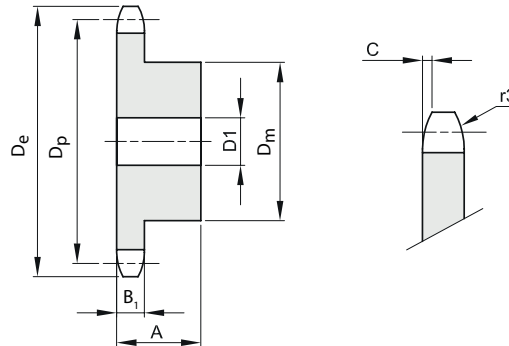
D_e	External diameter	mm
D_p	Pitch diameter	mm
D_m	Hub diameter	mm
W	Weight	kg

Simplex hardened sprocket with pilot bore



ISO 08B-1 Pitch 1/2" x 5/16"

SPROCKET	[mm]
Tooth radius r_3	13
Radius width C	1,3
Tooth width B_1	7,2
CHAIN	[mm]
Pitch	12,7
Internal width	7,75
Roller \varnothing	8,51



Z	D_e [mm]	D_p [mm]	D_m [mm]	D1 [mm]	A [mm]	W [kg]	Part number
12	53,9	49,07	33	10	28	0,21	QPH08B1-012
13	57,9	53,06	37	10	28	0,26	QPH08B1-013
14	61,9	57,07	41	10	28	0,32	QPH08B1-014
15	65,9	61,09	45	10	28	0,38	QPH08B1-015
16	69,9	65,10	50	12	28	0,46	QPH08B1-016
17	74,0	69,11	52	12	28	0,51	QPH08B1-017
18	78,0	73,14	56	12	28	0,59	QPH08B1-018
19	82,0	77,16	60	12	28	0,67	QPH08B1-019
20	86,0	81,19	64	12	28	0,76	QPH08B1-020
21	90,1	85,22	68	14	28	0,85	QPH08B1-021
22	94,1	89,24	70	14	28	0,91	QPH08B1-022
23	98,1	93,27	70	14	28	0,95	QPH08B1-023
24	102,1	97,29	70	14	28	0,98	QPH08B1-024
25	106,2	101,33	70	14	28	1,01	QPH08B1-025
30	126,3	121,50	80	16	30	1,46	QPH08B1-030

Material: Steel C45

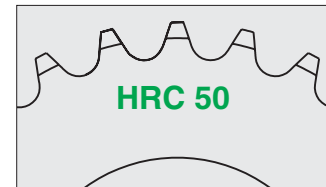
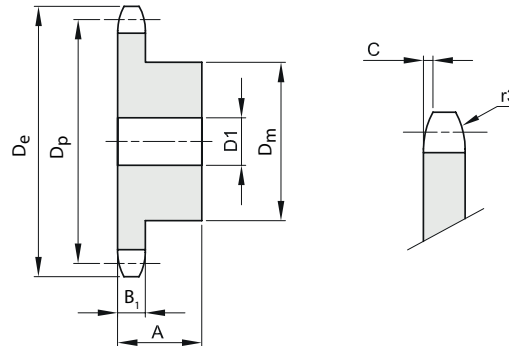
D_e	External diameter	mm
D_p	Pitch diameter	mm
D_m	Hub diameter	mm
W	Weight	kg

Simplex hardened sprocket with pilot bore



ISO 10B-1 Pitch 5/8" x 3/8"

SPROCKET	[mm]
Tooth radius r_3	16
Radius width C	1,6
Tooth width B_1	9,1
CHAIN	[mm]
Pitch	15,875
Internal width	9,65
Roller \varnothing	10,16



Z	De [mm]	Dp [mm]	Dm [mm]	D1 [mm]	A [mm]	W [kg]	Part number
12	68,2	61,34	42	12	30	0,37	QPH10B1-012
13	73,2	66,32	47	12	30	0,46	QPH10B1-013
14	78,2	71,34	52	12	30	0,56	QPH10B1-014
15	83,2	76,36	57	12	30	0,67	QPH10B1-015
16	88,3	81,37	60	12	30	0,76	QPH10B1-016
17	93,3	86,39	60	12	30	0,88	QPH10B1-017
18	98,3	91,42	70	14	30	1,01	QPH10B1-018
19	103,3	96,45	70	14	30	1,15	QPH10B1-019
20	108,4	101,49	75	14	30	1,21	QPH10B1-020
21	113,4	106,52	75	16	30	1,35	QPH10B1-021
22	118,4	111,55	80	16	30	1,41	QPH10B1-022
23	123,5	116,58	80	16	30	1,47	QPH10B1-023
24	128,5	121,62	80	16	30	1,54	QPH10B1-024
25	133,6	126,66	80	16	30	1,60	QPH10B1-025
30	158,8	151,87	90	20	35	2,41	QPH10B1-030

Sprockets with pilot bore

Material: Steel C45

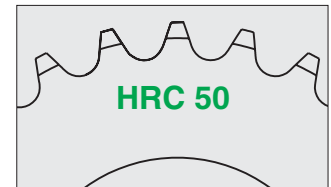
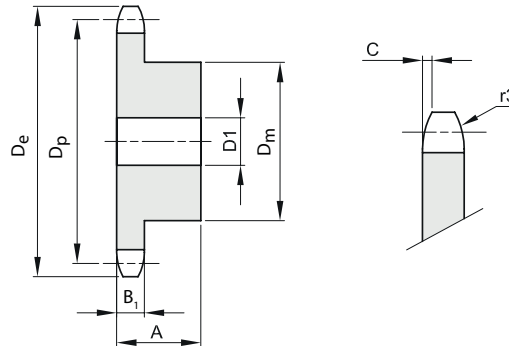
D_e	External diameter	mm
D_p	Pitch diameter	mm
D_m	Hub diameter	mm
W	Weight	kg

Simplex hardened sprocket with pilot bore



ISO 12B-1 Pitch 3/4" x 7/16"

SPROCKET	[mm]
Tooth radius r_3	19
Radius width C	2
Tooth width B_1	11,1
CHAIN	[mm]
Pitch	19,50
Internal width	11,68
Roller \varnothing	12,07



Z	D_e [mm]	D_p [mm]	D_m [mm]	D1 [mm]	A [mm]	W [kg]	Part number
12	81,8	73,60	52	16	35	0,65	QPH12B1-012
13	87,8	79,59	58	16	35	0,80	QPH12B1-013
14	93,8	85,61	64	16	35	0,97	QPH12B1-014
15	99,8	91,63	70	16	35	1,16	QPH12B1-015
16	105,8	97,65	75	16	35	1,34	QPH12B1-016
17	111,9	103,67	80	16	35	1,53	QPH12B1-017
18	117,9	109,71	80	16	35	1,62	QPH12B1-018
19	123,9	115,75	80	16	35	1,70	QPH12B1-019
20	130,0	121,78	80	16	35	1,80	QPH12B1-020
21	136,0	127,82	90	20	40	2,35	QPH12B1-021
22	142,0	133,86	90	20	40	2,46	QPH12B1-022
23	148,1	139,90	90	20	40	2,56	QPH12B1-023
24	154,1	145,94	90	20	40	2,68	QPH12B1-024
25	160,2	152,00	90	20	40	2,80	QPH12B1-025
30	190,4	182,25	95	20	40	3,63	QPH12B1-030

Material: Steel C45

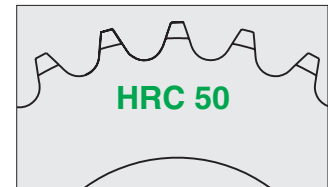
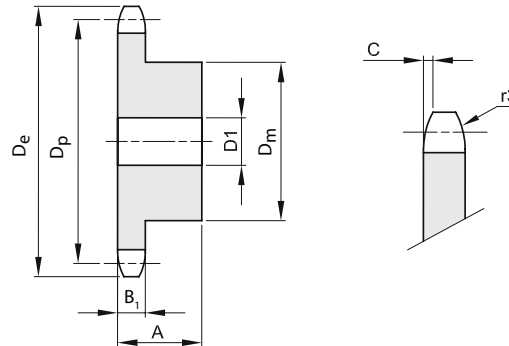
D_e	External diameter	mm
D_p	Pitch diameter	mm
D_m	Hub diameter	mm
W	Weight	kg

Simplex hardened sprocket with pilot bore



ISO 16B-1 Pitch 1" x 17,02 mm

SPROCKET	[mm]
Tooth radius r_3	26
Radius width C	2,5
Tooth width B_1	16,2
CHAIN	[mm]
Pitch	25,4
Internal width	17,02
Roller \varnothing	15,88



Z	D_e [mm]	D_p [mm]	D_m [mm]	D1 [mm]	A [mm]	W [kg]	Part number
12	109,7	98,14	69	16	40	1,43	QPH16B1-012
13	117,7	106,12	78	16	40	1,77	QPH16B1-013
14	125,7	114,15	84	16	40	2,08	QPH16B1-014
15	133,7	122,17	92	16	40	2,46	QPH16B1-015
16	141,8	130,20	100	20	45	3,14	QPH16B1-016
17	149,8	138,22	100	20	45	3,33	QPH16B1-017
18	157,8	146,28	100	20	45	3,56	QPH16B1-018
19	165,9	154,33	100	20	45	3,78	QPH16B1-019
20	173,9	162,38	100	20	45	4,03	QPH16B1-020
21	182,0	170,43	110	20	50	5,01	QPH16B1-021
22	190,1	178,48	110	20	50	5,28	QPH16B1-022
23	198,1	186,53	110	20	50	5,56	QPH16B1-023
24	206,2	194,59	110	20	50	5,86	QPH16B1-024
25	214,2	202,66	110	20	50	6,16	QPH16B1-025
30	254,6	243,00	120	20	50	8,38	QPH16B1-030

Sprockets with pilot bore

Material: Steel C45

D_e	External diameter	mm
D_p	Pitch diameter	mm
D_m	Hub diameter	mm
W	Weight	kg

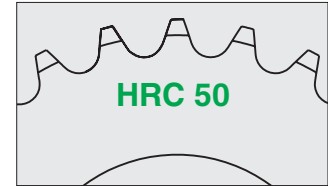
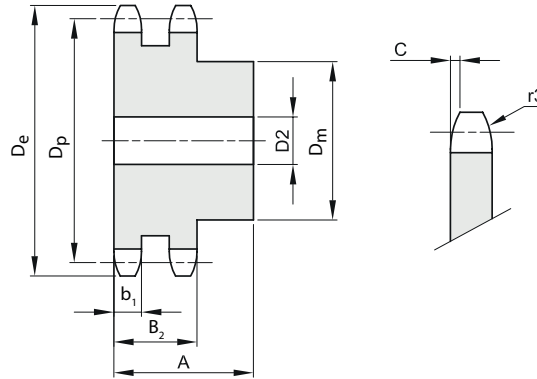
DUPLEX HARDENED SPROCKETS WITH PILOT BORE

Duplex hardened sprocket with pilot bore



ISO 06B-2 Pitch 3/8" x 7/32"

SPROCKET	[mm]
Tooth radius r_3	10
Radius width C	1
Tooth width b_1	5,2
Tooth width B_2	15,4
CHAIN	[mm]
Pitch	9,525
Internal width	5,71
Roller \varnothing	6,35



Z	D_e [mm]	D_p [mm]	D_m [mm]	D2 [mm]	A [mm]	W [kg]	Part number
13	43,5	39,80	28	10	30	0,16	QPHD06B2-013
14	46,5	42,80	31	10	30	0,20	QPHD06B2-014
15	49,5	45,81	34	10	30	0,24	QPHD06B2-015
16	52,5	48,82	37	12	30	0,27	QPHD06B2-016
17	55,5	51,83	40	12	30	0,32	QPHD06B2-017
18	58,6	54,85	43	12	30	0,38	QPHD06B2-018
19	61,6	57,87	46	12	30	0,42	QPHD06B2-019
20	64,6	60,89	49	12	30	0,48	QPHD06B2-020
21	67,6	63,91	52	16	30	0,52	QPHD06B2-021
22	70,6	66,93	55	16	30	0,58	QPHD06B2-022
23	73,7	69,95	58	16	30	0,64	QPHD06B2-023
24	76,7	72,97	61	16	30	0,71	QPHD06B2-024
25	79,7	76,00	64	16	30	0,79	QPHD06B2-025
30	94,8	91,12	79	16	30	1,20	QPHD06B2-030

Material: Steel C45

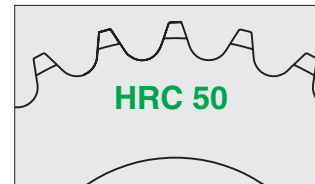
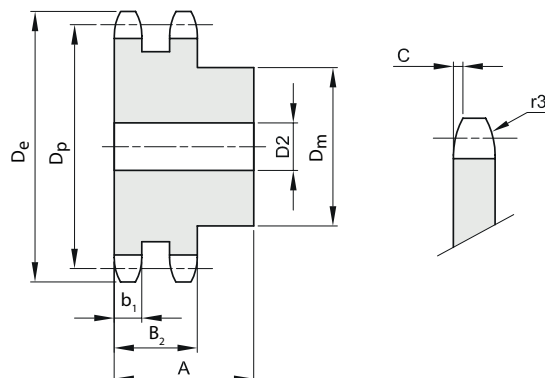
D_e	External diameter	mm
D_p	Pitch diameter	mm
D_m	Hub diameter	mm
W	Weight	kg

Duplex hardened sprocket with pilot bore

ISO 08B-2 Pitch 1/2" x 5/16"



SPROCKET	[mm]
Tooth radius r_3	13
Radius width C	1,3
Tooth width b_1	7
Tooth width B_2	21
CHAIN	[mm]
Pitch	12,7
Internal width	7,75
Roller \varnothing	8,51



Z	D _e [mm]	D _p [mm]	D _m [mm]	D2 [mm]	A [mm]	W [kg]	Part number
12	53,9	49,07	35	12	35	0,30	QPHD08B2-012
13	57,9	53,06	38	12	35	0,36	QPHD08B2-013
14	61,9	57,07	42	12	35	0,44	QPHD08B2-014
15	65,9	61,09	46	12	35	0,52	QPHD08B2-015
16	69,9	65,10	50	16	38	0,63	QPHD08B2-016
17	74,0	69,11	54	16	38	0,73	QPHD08B2-017
18	78,0	73,14	58	16	38	0,85	QPHD08B2-018
19	82,0	77,16	62	16	38	0,97	QPHD08B2-019
20	86,0	81,19	66	16	38	1,10	QPHD08B2-020
21	90,1	85,22	70	16	40	1,29	QPHD08B2-021
22	94,1	89,24	70	16	40	1,37	QPHD08B2-022
23	98,1	93,27	70	16	40	1,46	QPHD08B2-023
24	102,1	97,29	75	16	40	1,64	QPHD08B2-024
25	106,2	101,33	80	16	40	1,82	QPHD08B2-025
30	126,3	121,50	100	16	40	2,79	QPHD08B2-030

Sprockets with pilot bore

Material: Steel C45

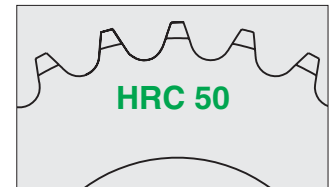
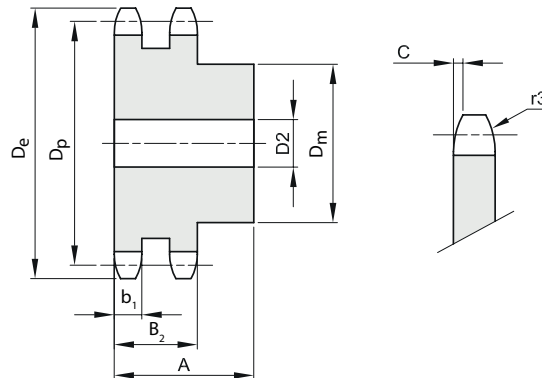
D _e	External diameter	mm
D _p	Pitch diameter	mm
D _m	Hub diameter	mm
W	Weight	kg

Duplex hardened sprocket with pilot bore

ISO 10B-2 Pitch 5/8" x 3/8"



SPROCKET	[mm]
Tooth radius r_3	16
Radius width C	1,6
Tooth width b_1	9
Tooth width B_2	25,5
CHAIN	[mm]
Pitch	15,875
Internal width	9,65
Roller \varnothing	10,16



Z	D_e [mm]	D_p [mm]	D_m [mm]	D2 [mm]	A [mm]	W [kg]	Part number
12	68,2	61,34	44	16	40	0,55	QPHD10B2-012
13	73,2	66,32	49	16	40	0,68	QPHD10B2-013
14	78,2	71,34	54	16	40	0,82	QPHD10B2-014
15	83,2	76,36	59	16	40	0,97	QPHD10B2-015
16	88,3	81,37	64	16	45	1,26	QPHD10B2-016
17	93,3	86,39	69	16	45	1,46	QPHD10B2-017
18	98,3	91,42	74	16	45	1,67	QPHD10B2-018
19	103,3	96,45	79	16	45	1,90	QPHD10B2-019
20	108,4	101,49	84	16	45	2,14	QPHD10B2-020
21	113,4	106,52	85	16	45	2,27	QPHD10B2-021
22	118,4	111,55	90	16	45	2,54	QPHD10B2-022
23	123,5	116,58	95	16	45	2,82	QPHD10B2-023
24	128,5	121,62	100	16	45	3,11	QPHD10B2-024
25	133,6	126,66	105	16	45	3,15	QPHD10B2-025
30	158,8	151,87	120	20	45	4,87	QPHD10B2-030

Material: Steel C45

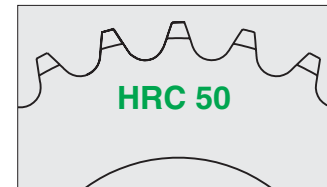
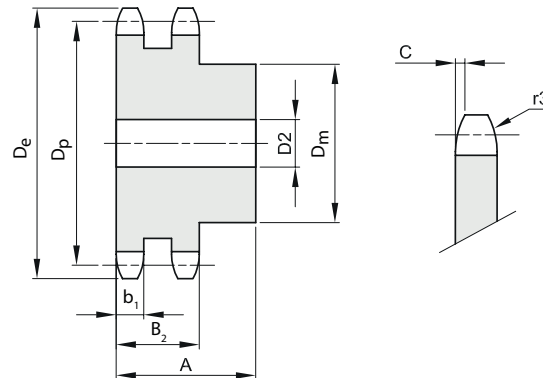
D_e	External diameter	mm
D_p	Pitch diameter	mm
D_m	Hub diameter	mm
W	Weight	kg

Duplex hardened sprocket with pilot bore

ISO 12B-2 Pitch 3/4" x 7/16"



SPROCKET	[mm]
Tooth radius r_3	19
Radius width C	2
Tooth width b_1	10,8
Tooth width B_2	30,3
CHAIN	[mm]
Pitch	19,50
Internal width	11,68
Roller \varnothing	12,07



Z	D_e [mm]	D_p [mm]	D_m [mm]	D2 [mm]	A [mm]	W [kg]	Part number
12	81,8	73,60	53	16	50	1,02	QPHD12B2-012
13	87,8	79,59	59	16	50	1,25	QPHD12B2-013
14	93,8	85,61	65	16	50	1,46	QPHD12B2-014
15	99,8	91,63	71	16	50	1,74	QPHD12B2-015
16	105,8	97,65	77	20	50	2,03	QPHD12B2-016
17	111,9	103,67	83	20	50	2,36	QPHD12B2-017
18	117,9	109,71	89	20	50	2,70	QPHD12B2-018
19	123,9	115,75	95	20	50	3,07	QPHD12B2-019
20	130,0	121,78	100	20	50	3,43	QPHD12B2-020
21	136,0	127,82	100	20	50	3,69	QPHD12B2-021
22	142,0	133,86	100	20	50	3,97	QPHD12B2-022
23	148,1	139,90	110	20	50	4,51	QPHD12B2-023
24	154,1	145,94	110	20	50	4,81	QPHD12B2-024
25	160,2	152,00	120	20	50	5,41	QPHD12B2-025
30	190,4	182,25	120	20	50	7,19	QPHD12B2-030

Material: Steel C45

D_e	External diameter	mm
D_p	Pitch diameter	mm
D_m	Hub diameter	mm
W	Weight	kg

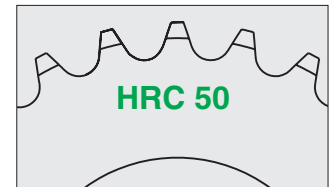
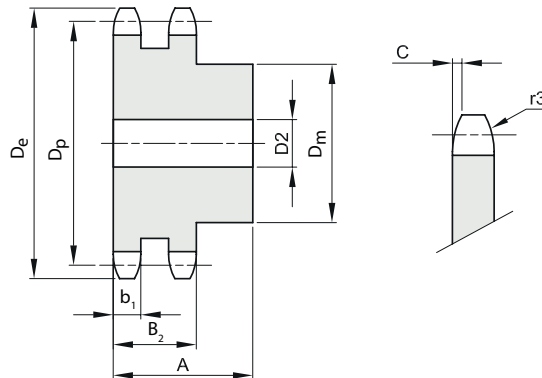
Sprockets with pilot bore

Duplex hardened sprocket with pilot bore

ISO 16B-2 Pitch 1" x 17,02 mm



SPROCKET	[mm]
Tooth radius r_3	26
Radius width C	2,5
Tooth width b_1	15,8
Tooth width B_2	47,7
CHAIN	[mm]
Pitch	25,4
Internal width	17,02
Roller \varnothing	15,88



Z	D_e [mm]	D_p [mm]	D_m [mm]	D2 [mm]	A [mm]	W [kg]	Part number
12	109,7	98,14	72	20	70	2,60	QPHD16B2-012
13	117,7	106,12	80	20	70	3,18	QPHD16B2-013
14	125,7	114,15	88	20	70	3,82	QPHD16B2-014
15	133,7	122,17	96	20	70	4,51	QPHD16B2-015
16	141,8	130,20	104	20	70	5,17	QPHD16B2-016
17	149,8	138,22	112	20	70	5,98	QPHD16B2-017
18	157,8	146,28	120	20	70	6,84	QPHD16B2-018
19	165,9	154,33	128	20	70	7,76	QPHD16B2-019
20	173,9	162,38	130	20	70	8,52	QPHD16B2-020
21	182,0	170,43	130	25	70	9,24	QPHD16B2-021
22	190,1	178,48	130	25	70	10,00	QPHD16B2-022
23	198,1	186,53	130	25	70	10,80	QPHD16B2-023
24	206,2	194,59	130	25	70	11,64	QPHD16B2-024
25	214,2	202,66	130	25	70	12,52	QPHD16B2-025
30	254,6	243,00	130	25	70	17,48	QPHD16B2-030

Material: Steel C45

D_e	External diameter	mm
D_p	Pitch diameter	mm
D_m	Hub diameter	mm
W	Weight	kg

STAINLESS STEEL SIMPLEX SPROCKETS



STAINLESS STEEL SPROCKETS



INDEX

STAINLESS STEEL SIMPLEX SPROCKETS	Page
Simplex sprocket	
ISO 06B-1 Pitch 3/8" x 7/32"	127
ISO 08B-1 Pitch 1/2" x 5/16"	128
ISO 10B-1 Pitch 5/8" x 3/8"	129
ISO 12B-1 Pitch 3/4" x 7/16"	130
ISO 16B-1 Pitch 1" x 17,02 mm	131



STAINLESS STEEL SIMPLEX SPROCKETS



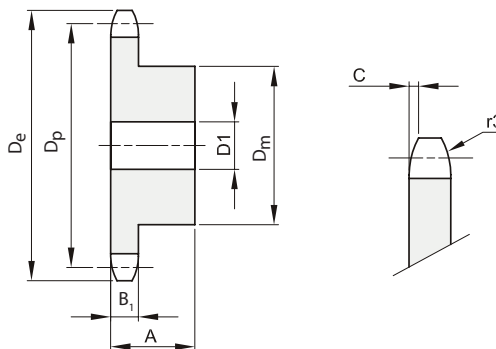
Stainless steel simplex sprocket

for chain according to DIN 8187 - ISO/R 606

ISO 06B-1

Pitch 3/8" x 7/32"

SPROCKET	[mm]
Tooth radius r_3	10
Radius width C	1
Tooth width B_1	5,3
CHAIN	[mm]
Pitch	9,525
Internal width	5,72
Roller \varnothing	6,35



Z	D_e [mm]	D_p [mm]	D_m [mm]	D1 [mm]	A [mm]	W [kg]	Part number
13	43,5	39,80	28	8	25	0,13	QPX06B1-013
14	46,5	42,80	31	8	25	0,16	QPX06B1-014
15	49,5	45,81	34	8	25	0,18	QPX06B1-015
16	52,5	48,82	37	10	28	0,24	QPX06B1-016
17	55,5	51,83	40	10	28	0,28	QPX06B1-017
18	58,6	54,85	43	10	28	0,33	QPX06B1-018
19	61,6	57,87	45	10	28	0,36	QPX06B1-019
20	64,6	60,89	46	10	28	0,39	QPX06B1-020
21	67,6	63,91	48	12	28	0,42	QPX06B1-021
23	73,7	69,95	52	12	28	0,50	QPX06B1-023
25	79,7	76,00	57	12	28	0,60	QPX06B1-025
30	94,8	91,12	60	12	30	0,72	QPX06B1-030

Stainless steel sprockets

Material: INOX AISI 304 L

D_e	External diameter	mm
D_p	Pitch diameter	mm
D_m	Hub diameter	mm
W	Weight	kg

Stainless steel simplex sprocket

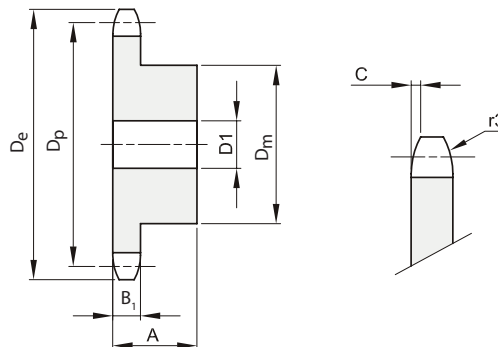
for chain according to DIN 8187 - ISO/R 606



ISO 08B-1

Pitch 1/2" x 5/16"

SPROCKET	[mm]
Tooth radius r_3	13
Radius width C	1,3
Tooth width B_1	7,2
CHAIN	[mm]
Pitch	12,7
Internal width	7,75
Roller \varnothing	8,51



Z	D_e [mm]	D_p [mm]	D_m [mm]	D1 [mm]	A [mm]	W [kg]	Part number
12	53,9	49,07	33	10	28	0,21	QPX08B1-012
13	57,9	53,06	37	10	28	0,26	QPX08B1-013
14	61,9	57,07	41	10	28	0,32	QPX08B1-014
15	65,9	61,09	45	10	28	0,38	QPX08B1-015
16	69,9	65,10	50	12	28	0,46	QPX08B1-016
17	74,0	69,11	52	12	28	0,51	QPX08B1-017
18	78,0	73,14	56	12	28	0,59	QPX08B1-018
19	82,0	77,16	60	12	28	0,67	QPX08B1-019
20	86,0	81,19	64	12	28	0,76	QPX08B1-020
21	90,1	85,22	68	14	28	0,85	QPX08B1-021
23	98,1	93,27	70	14	28	0,94	QPX08B1-023
25	106,2	101,33	70	14	28	1,01	QPX08B1-025
30	126,3	121,50	80	16	30	1,46	QPX08B1-030

Material: INOX AISI 304 L

D_e	External diameter	mm
D_p	Pitch diameter	mm
D_m	Hub diameter	mm
W	Weight	kg

Stainless steel simplex sprocket

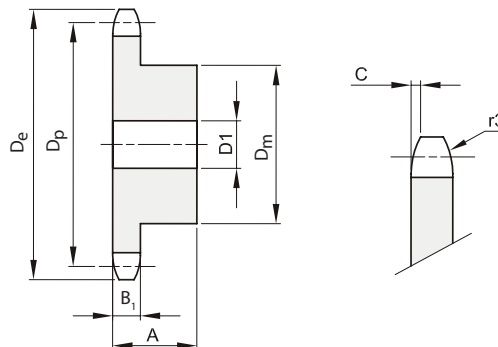
for chain according to DIN 8187 - ISO/R 606



ISO 10B-1

Pitch 5/8" x 3/8"

SPROCKET	[mm]
Tooth radius r_3	16
Radius width C	1,6
Tooth width B_1	9,1
CHAIN	[mm]
Pitch	15,875
Internal width	9,65
Roller \varnothing	10,16



Z	D_e [mm]	D_p [mm]	D_m [mm]	D1 [mm]	A [mm]	W [kg]	Part number
13	73,2	66,32	47	12	30	0,46	QPX10B1-013
14	78,2	71,34	52	12	30	0,56	QPX10B1-014
15	83,2	76,36	57	12	30	0,67	QPX10B1-015
16	88,3	81,37	60	12	30	0,76	QPX10B1-016
17	93,3	86,39	60	12	30	0,88	QPX10B1-017
18	98,3	91,42	70	14	30	1,01	QPX10B1-018
19	103,3	96,45	70	14	30	1,15	QPX10B1-019
20	108,4	101,49	75	14	30	1,21	QPX10B1-020
21	113,4	106,52	75	16	30	1,35	QPX10B1-021
23	123,5	116,58	80	16	30	1,47	QPX10B1-023
25	133,6	126,66	80	16	30	1,60	QPX10B1-025
30	158,8	151,87	90	20	35	2,41	QPX10B1-030

Material: INOX AISI 304 L

D_e	External diameter	mm
D_p	Pitch diameter	mm
D_m	Hub diameter	mm
W	Weight	kg

Stainless steel simplex sprocket

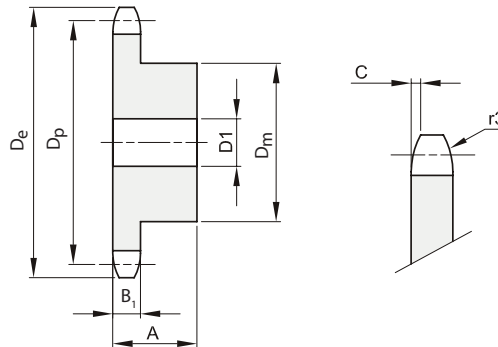
for chain according to DIN 8187 - ISO/R 606



ISO 12B-1

Pitch 3/4" x 7/16"

SPROCKET	[mm]
Tooth radius r_3	19
Radius width C	2
Tooth width B_1	11,1
CHAIN	[mm]
Pitch	19,50
Internal width	11,68
Roller ϕ	12,07



Z	D_e [mm]	D_p [mm]	D_m [mm]	D1 [mm]	A [mm]	W [kg]	Part number
13	87,8	79,59	58	16	35	0,80	QPX12B1-013
14	93,8	85,61	64	16	35	0,97	QPX12B1-014
15	99,8	91,63	70	16	35	1,16	QPX12B1-015
16	105,8	97,65	75	16	35	1,34	QPX12B1-016
17	111,9	103,67	80	16	35	1,53	QPX12B1-017
18	117,9	109,71	80	16	35	1,62	QPX12B1-018
19	123,9	115,75	80	16	35	1,70	QPX12B1-019
20	130,0	121,78	80	16	35	1,80	QPX12B1-020
21	136,0	127,82	90	20	40	2,35	QPX12B1-021
23	148,1	139,90	90	20	40	2,56	QPX12B1-023
25	160,2	152,00	90	20	40	2,80	QPX12B1-025

Material: INOX AISI 304 L

D_e	External diameter	mm
D_p	Pitch diameter	mm
D_m	Hub diameter	mm
W	Weight	kg

Stainless steel simplex sprocket

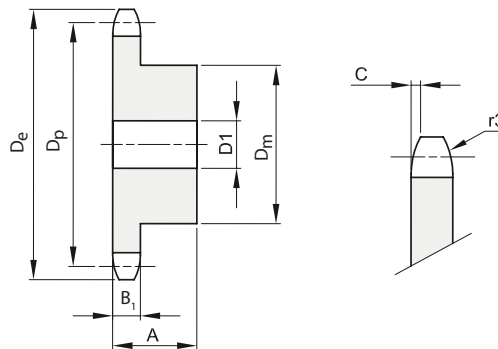
for chain according to DIN 8187 - ISO/R 606



ISO 16B-1

Pitch 1" x 17,02 mm

SPROCKET		[mm]
Tooth radius r_3		26
Radius width C		2,5
Tooth width B_1		16,2
CHAIN		[mm]
Pitch		25,4
Internal width		17,02
Roller ϕ		15,88



Z	D_e [mm]	D_p [mm]	D_m [mm]	D1 [mm]	A [mm]	W [kg]	Part number
12	109,7	98,14	69	16	40	1,43	QPX16B1-012
13	117,7	106,12	78	16	40	1,77	QPX16B1-013
14	125,7	114,15	84	16	40	2,08	QPX16B1-014
15	133,7	122,17	92	16	40	2,46	QPX16B1-015
16	141,8	130,20	100	20	45	3,14	QPX16B1-016
17	149,8	138,22	100	20	45	3,34	QPX16B1-017
18	157,8	146,28	100	20	45	3,56	QPX16B1-018
19	165,9	154,33	100	20	45	3,78	QPX16B1-019
20	173,9	162,38	100	20	45	4,03	QPX16B1-020
21	182,0	170,43	110	20	50	5,14	QPX16B1-021

Material: INOX AISI 304 L

D_e	External diameter	mm
D_p	Pitch diameter	mm
D_m	Hub diameter	mm
W	Weight	kg

Idler sprockets with ball bearing

A close-up photograph of the teeth of a metal sprocket, showing their sharp, pointed edges and the way they interlock. The sprocket is positioned vertically, with the teeth pointing downwards.

IDLER SPROCKETS

INDEX

Idler sprockets with ball bearing	Page
Idler sprockets	
Idler sprockets with ball bearing	135



Idler sprockets with ball bearing

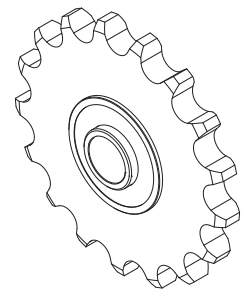
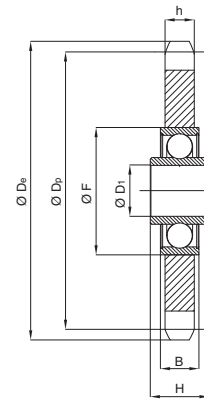
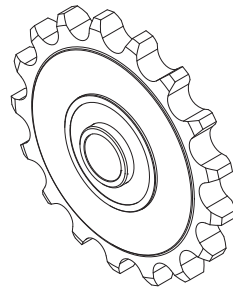
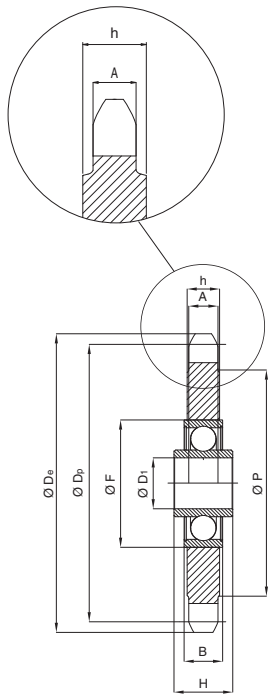


Fig.1

Fig.2

ISO	Pitch [mm]	Z	D _e	D _p	D ₁	F	B	H	A	h	Part number Idler sprocket	Fig.
05 B1	8 x 3 mm	23	62,2	58,8	16	40	12	18,3	2,8	7,0	QTS05B1-023	1
06 B1	3/8" x 7/32"	21	68,0	63,9	16	40	12	18,3	5,3	7,0	QTS06B1-021	1
81 -1	1/2" x 1/8"	18	78,9	73,1	16	40	12	18,3	3,0	7,0	QTS81-1-018	1
83 -1	1/2" x 3/16"	18	78,9	73,1	16	40	12	18,3	4,5	7,0	QTS83-1-018	1
08 B1	1/2" x 5/16"	16	69,5	65,1	16	40	12	18,3	-	7,2	QTS08B1-016	2
08 B1	1/2" x 5/16"	18	77,8	73,1	16	40	12	18,3	-	7,2	QTS08B1-018	2
10 B1	5/8" x 3/8"	14	78,0	71,3	16	40	12	18,3	-	9,1	QTS10B1-014	2
10 B1	5/8" x 3/8"	15	83,0	76,4	16	40	12	18,3	-	9,1	QTS10B1-015	2
10 B1	5/8" x 3/8"	17	93,0	86,4	16	40	12	18,3	-	9,1	QTS10B1-017	2
12 B1	3/4" x 7/16"	13	87,5	79,6	16	40	12	18,3	-	11,1	QTS12B1-013	2
12 B1	3/4" x 7/16"	15	99,8	91,6	16	40	12	18,3	-	11,1	QTS12B1-015	2
16 B1	1" x 17,02 mm	12	109,0	98,1	20	47	14	17,7	-	16,2	QTS16B1-012	2
20 B1	1" 1/4 x 3/4"	13	147,8	132,7	25	52	15	21	-	18,5	QTS20B1-013	2

Z Number of teeth
 D_e External diameter mm
 D_p Pitch diameter mm

Idler Sprockets

Plate Wheels for Simplex, Duplex and Triplex Chain

The background of the lower half of the page is a close-up photograph of several metallic plate wheels. The wheels are arranged in a way that they appear to be overlapping and interlocking. The lighting is bright, creating strong highlights and shadows that emphasize the texture and geometry of the teeth. The overall color palette is dominated by shades of teal and light blue.

PLATE WHEELS

INDEX

Plate Wheel for Simplex, duplex and triplex chain	Page
Simplex Plate Wheel	
ISO 04B-1 Pitch 6 x 2,8 mm	139
ISO 05B-1 Pitch 8 x 3 mm	140
ISO 06B-1 Pitch 3/8" x 7/32"	141
ISO 81-1 Pitch 1/2" x 1/8"	142
ISO 83-1 Pitch 1/2" x 3/16"	143
ISO 08B-1 Pitch 1/2" x 5/16"	144
ISO 10B-1 Pitch 5/8" x 3/8"	145
ISO 12B-1 Pitch 3/4" x 7/16"	146
ISO 16B-1 Pitch 1" x 17,02 mm	147
ISO 20B-1 Pitch 1" 1/4 x 3/4"	148
ISO 24B-1 Pitch 1" 1/2 x 1"	149
ISO 28B-1 Pitch 1" 3/4 x 1" 1/4	150
ISO 32B-1 Pitch 2" x 1" 1/4	151
Duplex Plate Wheel	
ISO 05B-2 Pitch 8 x 3 mm	152
ISO 06B-2 Pitch 3/8" x 7/32"	153
ISO 08B-2 Pitch 1/2" x 5/16"	154
ISO 10B-2 Pitch 5/8" x 3/8"	155
ISO 12B-2 Pitch 3/4" x 7/16"	156
ISO 16B-2 Pitch 1" x 17,02 mm	157
ISO 20B-2 Pitch 1" 1/4 x 3/4"	158
ISO 24B-2 Pitch 1" 1/2 x 1"	159
ISO 28B-2 Pitch 1" 3/4 x 1" 1/4	160
ISO 32B-2 Pitch 2" x 1" 1/4	161
Triplex Plate Wheel	
ISO 06B-3 Pitch 3/8" x 7/32"	162
ISO 08B-3 Pitch 1/2" x 5/16"	163
ISO 10B-3 Pitch 5/8" x 3/8"	164
ISO 12B-3 Pitch 3/4" x 7/16"	165
ISO 16B-3 Pitch 1" x 17,02 mm	166
ISO 20B-3 Pitch 1" 1/4 x 3/4"	167
ISO 24B-3 Pitch 1" 1/2 x 1"	168
ISO 28B-3 Pitch 1" 3/4 x 1" 1/4	169
ISO 32B-3 Pitch 2" x 1" 1/4	170



SIMPLEX PLATE WHEELS

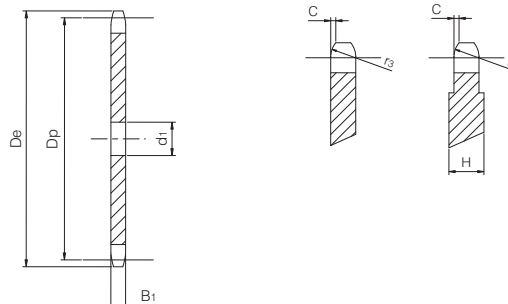
Plate Wheels

for chain according to DIN 8187 - ISO/R 606



ISO 04B-1 Pitch 6 x 2,8 mm

PLATE WHEEL	[mm]
Tooth radius r_3	6
Radius width C	0,7
Tooth width B_1	2,6
Width H (with $Z \geq 51$)	4
CHAIN	[mm]
Pitch	6
Internal width	2,8
Roller ϕ	4



Z	De [mm]	Dp [mm]	d1 [mm]	W [kg]	Part number
8	18,00	15,67	5	0,01	QCS04B1-008
9	19,90	17,54	5	0,01	QCS04B1-009
10	21,70	19,42	6	0,01	QCS04B1-010
11	23,60	21,30	6	0,01	QCS04B1-011
12	25,40	23,18	6	0,01	QCS04B1-012
13	27,30	25,05	8	0,01	QCS04B1-013
14	29,20	26,96	8	0,01	QCS04B1-014
15	31,00	28,86	8	0,01	QCS04B1-015
16	33,00	30,76	8	0,01	QCS04B1-016
17	35,00	32,65	8	0,02	QCS04B1-017
18	36,90	34,55	8	0,02	QCS04B1-018
19	38,80	36,44	8	0,02	QCS04B1-019
20	40,70	38,34	8	0,02	QCS04B1-020
21	42,60	40,25	8	0,03	QCS04B1-021
22	44,50	42,16	8	0,03	QCS04B1-022
23	46,40	44,06	8	0,03	QCS04B1-023
24	48,30	45,96	8	0,03	QCS04B1-024
25	50,20	47,87	8	0,04	QCS04B1-025
26	52,10	49,76	8	0,04	QCS04B1-026
27	54,00	51,67	8	0,04	QCS04B1-027
28	55,90	53,58	8	0,05	QCS04B1-028
29	57,80	55,50	8	0,05	QCS04B1-029
30	59,80	57,42	8	0,05	QCS04B1-030
31	61,70	59,31	8	0,06	QCS04B1-031
32	63,60	61,21	8	0,06	QCS04B1-032
33	65,50	63,11	8	0,06	QCS04B1-033
34	67,40	65,02	8	0,07	QCS04B1-034
35	69,30	66,93	8	0,07	QCS04B1-035
36	71,20	68,84	8	0,08	QCS04B1-036
37	73,10	70,75	8	0,08	QCS04B1-037
38	75,00	72,66	8	0,08	QCS04B1-038
39	76,90	74,57	8	0,09	QCS04B1-039
40	78,90	76,47	8	0,09	QCS04B1-040
41	80,80	78,38	10	0,10	QCS04B1-041
42	82,70	80,28	10	0,10	QCS04B1-042
43	84,70	82,19	10	0,11	QCS04B1-043
44	86,60	84,10	10	0,11	QCS04B1-044
45	88,50	86,01	10	0,12	QCS04B1-045
46	90,40	87,92	10	0,12	QCS04B1-046
47	92,30	89,93	10	0,13	QCS04B1-047

Z	De [mm]	Dp [mm]	d1 [mm]	W [kg]	Part number
48	94,20	91,74	10	0,13	QCS04B1-048
49	96,10	93,64	10	0,14	QCS04B1-049
50	98,00	95,55	10	0,15	QCS04B1-050
51	99,90	97,46	12	0,15	QCS04B1-051
52	101,80	99,37	12	0,16	QCS04B1-052
53	103,70	101,27	12	0,16	QCS04B1-053
54	105,60	103,17	12	0,17	QCS04B1-054
55	107,60	105,08	12	0,18	QCS04B1-055
56	109,50	107,00	12	0,18	QCS04B1-056
57	111,40	108,93	12	0,19	QCS04B1-057
58	113,30	110,82	12	0,20	QCS04B1-058
59	115,20	112,71	12	0,20	QCS04B1-059
60	117,10	114,62	12	0,21	QCS04B1-060
62	120,90	118,45	14	0,22	QCS04B1-062
64	124,70	122,27	14	0,24	QCS04B1-064
65	126,60	124,18	14	0,25	QCS04B1-065
66	128,50	126,09	14	0,25	QCS04B1-066
68	132,40	129,91	14	0,27	QCS04B1-068
70	136,20	133,73	14	0,29	QCS04B1-070
72	140,00	137,55	16	0,30	QCS04B1-072
75	145,70	143,28	16	0,33	QCS04B1-075
76	147,60	145,19	16	0,34	QCS04B1-076
78	151,50	149,01	16	0,35	QCS04B1-078
80	155,30	152,82	16	0,37	QCS04B1-080
85	164,80	162,37	16	0,42	QCS04B1-085
90	174,40	171,92	16	0,47	QCS04B1-090
95	183,90	181,47	16	0,53	QCS04B1-095
100	193,50	191,01	16	0,58	QCS04B1-100
110	212,60	210,11	16	0,71	QCS04B1-110
114	220,20	217,75	16	0,76	QCS04B1-114
120	231,70	229,20	16	0,84	QCS04B1-120
125	241,20	238,75	16	0,92	QCS04B1-125

Material: C45 (Fe360B with $Z \geq 58$)

D_e External diameter mm
 D_p Pitch diameter mm
 W Weight kg

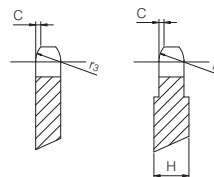
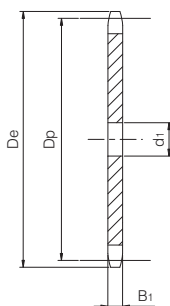
Plate Wheels

for chain according to DIN 8187 - ISO/R 606

ISO 05B-1 Pitch 8 x 3 mm



PLATE WHEEL	[mm]
Tooth radius r_3	8
Radius width C	1
Tooth width B_1	2,8
Width H (with $Z \geq 46$)	4
CHAIN	[mm]
Pitch	8
Internal width	3
Roller \varnothing	5



Z	De [mm]	Dp [mm]	d1 [mm]	W [kg]	Part number
8	24,00	20,90	6	0,01	QCS05B1-008
9	26,60	23,39	6	0,01	QCS05B1-009
10	29,20	25,89	8	0,01	QCS05B1-010
11	31,70	28,39	8	0,01	QCS05B1-011
12	34,20	30,91	8	0,02	QCS05B1-012
13	36,70	33,42	8	0,02	QCS05B1-013
14	39,20	35,95	8	0,02	QCS05B1-014
15	41,70	38,48	8	0,02	QCS05B1-015
16	44,30	41,01	8	0,03	QCS05B1-016
17	46,80	43,53	8	0,03	QCS05B1-017
18	49,30	46,07	8	0,04	QCS05B1-018
19	51,90	48,61	8	0,04	QCS05B1-019
20	54,40	51,14	8	0,04	QCS05B1-020
21	57,00	53,68	8	0,05	QCS05B1-021
22	59,50	56,21	8	0,05	QCS05B1-022
23	62,00	58,75	8	0,06	QCS05B1-023
24	64,60	61,29	8	0,06	QCS05B1-024
25	67,50	63,83	8	0,07	QCS05B1-025
26	69,50	66,37	10	0,07	QCS05B1-026
27	72,20	68,91	10	0,08	QCS05B1-027
28	74,80	71,45	10	0,09	QCS05B1-028
29	77,30	73,99	10	0,09	QCS05B1-029
30	79,80	76,53	10	0,10	QCS05B1-030
31	82,40	79,08	10	0,11	QCS05B1-031
32	84,90	81,61	10	0,11	QCS05B1-032
33	87,50	84,16	10	0,12	QCS05B1-033
34	90,00	86,70	10	0,13	QCS05B1-034
35	92,50	89,25	10	0,14	QCS05B1-035
36	95,00	91,79	10	0,14	QCS05B1-036
37	97,60	94,33	10	0,15	QCS05B1-037
38	100,20	96,88	10	0,16	QCS05B1-038
39	102,70	99,42	10	0,17	QCS05B1-039
40	105,30	101,97	10	0,18	QCS05B1-040
41	107,80	104,51	12	0,19	QCS05B1-041
42	110,40	107,05	12	0,20	QCS05B1-042
43	112,90	109,60	12	0,21	QCS05B1-043
44	115,50	112,14	12	0,22	QCS05B1-044
45	118,00	114,69	12	0,23	QCS05B1-045
46	120,60	117,23	12	0,24	QCS05B1-046
47	123,10	119,77	12	0,25	QCS05B1-047

Z	De [mm]	Dp [mm]	d1 [mm]	W [kg]	Part number
48	125,60	122,32	12	0,26	QCS05B1-048
49	128,20	124,86	12	0,27	QCS05B1-049
50	130,70	127,41	12	0,28	QCS05B1-050
51	133,30	129,95	14	0,29	QCS05B1-051
52	135,80	132,49	14	0,30	QCS05B1-052
53	138,40	135,04	14	0,31	QCS05B1-053
54	140,90	137,59	14	0,33	QCS05B1-054
55	143,50	140,13	14	0,34	QCS05B1-055
56	146,00	142,68	14	0,35	QCS05B1-056
57	148,60	145,22	14	0,36	QCS05B1-057
58	151,00	147,77	14	0,38	QCS05B1-058
59	153,60	150,31	14	0,39	QCS05B1-059
60	156,20	152,86	14	0,40	QCS05B1-060
62	162,00	157,95	16	0,43	QCS05B1-062
64	167,10	163,04	16	0,46	QCS05B1-064
65	169,60	165,58	16	0,47	QCS05B1-065
66	172,20	168,13	16	0,49	QCS05B1-066
68	177,30	173,22	16	0,52	QCS05B1-068
70	182,40	178,31	16	0,55	QCS05B1-070
72	187,50	183,40	20	0,58	QCS05B1-072
75	195,10	191,04	20	0,63	QCS05B1-075
76	197,70	193,59	20	0,64	QCS05B1-076
78	202,80	198,68	20	0,68	QCS05B1-078
80	207,90	203,77	20	0,71	QCS05B1-080
85	220,60	216,50	20	0,81	QCS05B1-085
90	233,40	229,23	20	0,91	QCS05B1-090
95	246,10	241,96	20	1,01	QCS05B1-095
100	258,90	254,68	20	1,12	QCS05B1-100
110	284,30	280,15	20	1,36	QCS05B1-110
114	294,50	290,33	20	1,46	QCS05B1-114
120	310,00	305,61	20	1,62	QCS05B1-120
125	322,50	318,34	20	1,75	QCS05B1-125

Material: C45 (Fe360B with $Z \geq 58$)

D_e External diameter mm
 D_p Pitch diameter mm
W Weight kg

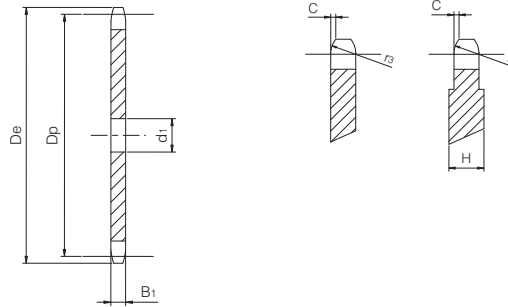
Simplex Plate Wheels

for chain according to DIN 8187 - ISO/R 606

ISO 06B-1 Pitch 3/8" x 7/32"



PLATE WHEEL	[mm]
Tooth radius r_3	10
Radius width C	1
Tooth width B_1	5,3
Width H (with $Z \geq 100$)	7
CHAIN	[mm]
Pitch	9,525
Internal width	5,72
Roller \varnothing	6,35



Z	De [mm]	Dp [mm]	d1 [mm]	W [kg]	Part number
8	28,00	24,89	6	0,02	QCS06B1-008
9	31,00	27,85	8	0,02	QCS06B1-009
10	34,00	30,82	8	0,03	QCS06B1-010
11	37,00	33,80	8	0,04	QCS06B1-011
12	40,00	36,80	8	0,04	QCS06B1-012
13	43,00	39,79	8	0,05	QCS06B1-013
14	46,30	42,80	8	0,06	QCS06B1-014
15	49,30	45,81	8	0,07	QCS06B1-015
16	52,30	48,82	10	0,08	QCS06B1-016
17	55,30	51,83	10	0,09	QCS06B1-017
18	58,30	54,85	10	0,10	QCS06B1-018
19	61,30	57,87	10	0,11	QCS06B1-019
20	64,30	60,89	10	0,12	QCS06B1-020
21	68,00	63,91	10	0,13	QCS06B1-021
22	71,00	66,93	10	0,14	QCS06B1-022
23	73,50	69,95	10	0,16	QCS06B1-023
24	77,00	72,97	10	0,17	QCS06B1-024
25	80,00	76,02	10	0,19	QCS06B1-025
26	83,00	79,02	10	0,2	QCS06B1-026
27	86,00	82,02	10	0,22	QCS06B1-027
28	89,00	85,07	10	0,23	QCS06B1-028
29	92,00	88,09	10	0,25	QCS06B1-029
30	94,70	91,12	10	0,27	QCS06B1-030
31	98,30	94,15	12	0,29	QCS06B1-031
32	101,30	97,17	12	0,31	QCS06B1-032
33	104,30	100,20	12	0,33	QCS06B1-033
34	107,30	103,23	12	0,35	QCS06B1-034
35	110,40	106,26	12	0,37	QCS06B1-035
36	113,40	109,29	12	0,39	QCS06B1-036
37	116,40	112,32	12	0,4	QCS06B1-037
38	119,50	115,35	12	0,43	QCS06B1-038
39	122,50	118,37	12	0,46	QCS06B1-039
40	125,50	121,40	12	0,48	QCS06B1-040
41	128,50	124,43	16	0,50	QCS06B1-041
42	131,60	127,46	16	0,53	QCS06B1-042
43	134,60	130,49	16	0,55	QCS06B1-043
44	137,60	133,52	16	0,56	QCS06B1-044
45	140,70	136,55	16	0,60	QCS06B1-045
46	143,70	139,58	16	0,63	QCS06B1-046
47	146,70	142,61	16	0,66	QCS06B1-047

Z	De [mm]	Dp [mm]	d1 [mm]	W [kg]	Part number
48	149,70	145,64	16	0,69	QCS06B1-048
49	152,70	148,66	16	0,72	QCS06B1-049
50	155,70	151,69	16	0,75	QCS06B1-050
51	158,70	154,72	16	0,78	QCS06B1-051
52	161,80	157,75	16	0,81	QCS06B1-052
53	164,80	160,78	16	0,84	QCS06B1-053
54	167,80	163,82	16	0,87	QCS06B1-054
55	170,80	166,85	16	0,91	QCS06B1-055
56	173,80	169,88	16	0,94	QCS06B1-056
57	176,90	172,91	16	0,97	QCS06B1-057
58	179,90	175,93	16	1,01	QCS06B1-058
59	183,00	178,96	16	1,04	QCS06B1-059
60	186,00	181,99	16	1,08	QCS06B1-060
62	192,10	188,06	20	1,15	QCS06B1-062
64	198,20	194,12	20	1,23	QCS06B1-064
65	201,60	197,15	20	1,27	QCS06B1-065
66	204,60	200,18	20	1,30	QCS06B1-066
68	210,70	206,24	20	1,39	QCS06B1-068
70	216,70	212,30	20	1,47	QCS06B1-070
72	222,80	218,37	20	1,56	QCS06B1-072
75	231,90	227,46	20	1,69	QCS06B1-075
76	234,90	230,49	20	1,73	QCS06B1-076
78	241,00	236,55	20	1,83	QCS06B1-078
80	247,10	242,61	20	1,92	QCS06B1-080
85	262,20	257,77	20	2,17	QCS06B1-085
90	277,40	272,93	20	2,44	QCS06B1-090
95	292,50	288,08	20	2,71	QCS06B1-095
100	307,70	303,25	20	3,01	QCS06B1-100
110	338,00	333,55	20	3,65	QCS06B1-110
114	349,50	345,68	20	3,92	QCS06B1-114
120	368,30	363,86	20	4,34	QCS06B1-120
125	383,50	379,02	20	4,71	QCS06B1-125

Material: C45 (Fe360B with $Z \geq 41$)

D_e External diameter mm
 D_p Pitch diameter mm
 W Weight kg

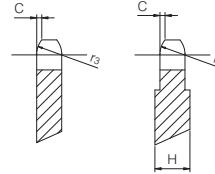
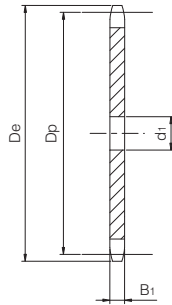
Simplex Plate Wheel

for chain according to DIN 8187 - ISO/R 606



ISO 81-1 Pitch 1/2" x 1/8"

PLATE WHEEL	[mm]
Tooth radius r_3	13
Radius width C	1
Tooth width B_1	3
Width H (with $Z \geq 30$)	4
Width H (with $Z \geq 90$)	6
CHAIN	[mm]
Pitch	12,7
Internal width	3,3
Roller \varnothing	7,75



Z	De [mm]	Dp [mm]	d1 [mm]	W [kg]	Part number
8	37,20	33,18	8	0,01	QCS81-1-008
9	41,50	37,13	8	0,02	QCS81-1-009
10	46,20	41,10	8	0,03	QCS81-1-010
11	49,60	45,07	8	0,03	QCS81-1-011
12	53,90	49,07	8	0,04	QCS81-1-012
13	58,40	53,06	8	0,05	QCS81-1-013
14	62,80	57,07	8	0,05	QCS81-1-014
15	66,80	61,09	8	0,06	QCS81-1-015
16	70,90	65,10	8	0,07	QCS81-1-016
17	74,90	69,11	8	0,08	QCS81-1-017
18	78,90	73,14	8	0,09	QCS81-1-018
19	82,90	77,16	8	0,10	QCS81-1-019
20	86,90	81,19	8	0,12	QCS81-1-020
21	91,00	85,22	8	0,13	QCS81-1-021
22	95,00	89,24	10	0,14	QCS81-1-022
23	99,00	93,27	10	0,16	QCS81-1-023
24	103,00	97,29	10	0,17	QCS81-1-024
25	107,10	101,33	10	0,18	QCS81-1-025
26	111,20	105,36	12	0,20	QCS81-1-026
27	115,40	109,40	12	0,22	QCS81-1-027
28	119,40	113,42	12	0,23	QCS81-1-028
29	123,40	117,46	12	0,25	QCS81-1-029
30	127,50	121,50	12	0,27	QCS81-1-030
31	131,50	125,54	12	0,29	QCS81-1-031
32	135,50	129,56	12	0,30	QCS81-1-032
33	139,60	133,60	12	0,32	QCS81-1-033
34	143,60	137,64	12	0,35	QCS81-1-034
35	147,60	141,68	12	0,37	QCS81-1-035
36	151,70	145,72	16	0,39	QCS81-1-036
37	155,70	149,76	16	0,41	QCS81-1-037
38	159,80	153,80	16	0,43	QCS81-1-038
39	163,80	157,83	16	0,45	QCS81-1-039
40	167,80	161,87	16	0,48	QCS81-1-040
41	171,40	165,91	16	0,50	QCS81-1-041
42	175,40	169,95	16	0,53	QCS81-1-042
43	179,50	173,99	16	0,55	QCS81-1-043
44	183,50	178,03	16	0,58	QCS81-1-044
45	187,50	182,07	16	0,61	QCS81-1-045
46	191,60	186,10	20	0,63	QCS81-1-046
47	195,60	190,14	20	0,66	QCS81-1-047

Z	De [mm]	Dp [mm]	d1 [mm]	W [kg]	Part number
48	199,70	194,18	20	0,69	QCS81-1-048
49	203,70	198,22	20	0,72	QCS81-1-049
50	207,80	202,26	20	0,75	QCS81-1-050
51	211,80	206,30	20	0,78	QCS81-1-051
52	215,90	210,34	20	0,81	QCS81-1-052
53	219,90	214,37	20	0,84	QCS81-1-053
54	224,00	218,43	20	0,88	QCS81-1-054
55	228,00	222,46	20	0,91	QCS81-1-055
56	232,10	226,50	20	0,94	QCS81-1-056
57	236,10	230,54	20	0,98	QCS81-1-057
58	240,20	234,58	20	1,01	QCS81-1-058
59	244,20	238,62	20	1,05	QCS81-1-059
60	248,20	242,66	20	1,08	QCS81-1-060
62	256,70	250,75	20	1,16	QCS81-1-062
64	264,80	258,82	20	1,23	QCS81-1-064
65	268,80	262,86	20	1,27	QCS81-1-065
66	272,90	266,90	25	1,31	QCS81-1-066
68	280,90	274,99	25	1,39	QCS81-1-068
70	289,00	283,07	25	1,47	QCS81-1-070
72	297,10	291,16	25	1,56	QCS81-1-072
76	313,30	307,33	25	1,74	QCS81-1-076
78	321,40	315,40	25	1,84	QCS81-1-078
80	329,40	323,48	25	1,93	QCS81-1-080
85	349,70	343,70	25	2,18	QCS81-1-085
90	369,90	363,90	25	2,45	QCS81-1-090
100	410,30	404,31	25	3,03	QCS81-1-100
110	450,70	444,74	25	3,67	QCS81-1-110
114	466,90	460,90	25	3,94	QCS81-1-114
120	491,20	485,16	25	4,36	QCS81-1-120
125	511,40	505,37	25	4,74	QCS81-1-125

Material: C45 (Fe360B with $Z \geq 41$)

D_e External diameter mm
 D_p Pitch diameter mm
W Weight kg

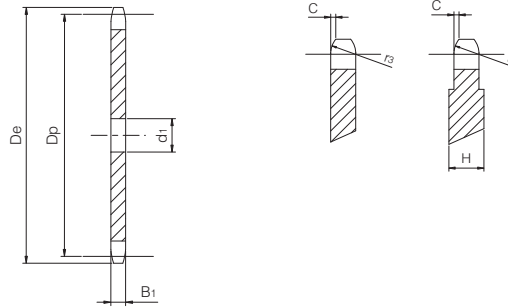
Simplex Plate Wheel

for chain according to DIN 8187 - ISO/R 606



ISO 83-1 Pitch 1/2" x 3/16"

PLATE WHEEL	[mm]
Tooth radius r_3	13
Radius width C	1,3
Tooth width B_1	4,5
Width H (with $Z \geq 90$)	6
CHAIN	[mm]
Pitch	12,7
Internal width	4,88
Roller \varnothing	7,75



Z	De [mm]	Dp [mm]	d1 [mm]	W [kg]	Part number
8	38,50	33,18	8	0,02	QCS83-1-008
9	41,50	37,13	8	0,03	QCS83-1-009
10	46,20	41,10	8	0,04	QCS83-1-010
11	49,60	45,07	8	0,05	QCS83-1-011
12	53,90	49,07	8	0,06	QCS83-1-012
13	58,40	53,06	8	0,07	QCS83-1-013
14	62,80	57,07	8	0,08	QCS83-1-014
15	66,80	61,09	8	0,10	QCS83-1-015
16	70,90	65,10	8	0,11	QCS83-1-016
17	74,90	69,11	8	0,13	QCS83-1-017
18	78,90	73,14	8	0,14	QCS83-1-018
19	82,90	77,16	8	0,16	QCS83-1-019
20	86,90	81,19	8	0,18	QCS83-1-020
21	91,00	85,22	8	0,20	QCS83-1-021
22	95,00	89,24	10	0,21	QCS83-1-022
23	99,00	93,27	10	0,24	QCS83-1-023
24	103,00	97,29	10	0,26	QCS83-1-024
25	107,10	101,33	10	0,28	QCS83-1-025
26	111,20	105,36	12	0,30	QCS83-1-026
27	115,40	109,40	12	0,33	QCS83-1-027
28	119,40	113,42	12	0,35	QCS83-1-028
29	123,40	117,46	12	0,38	QCS83-1-029
30	127,50	121,50	12	0,40	QCS83-1-030
31	131,50	125,54	12	0,43	QCS83-1-031
32	135,50	129,56	12	0,70	QCS83-1-032
33	139,60	133,60	12	0,49	QCS83-1-033
34	143,60	137,64	12	0,52	QCS83-1-034
35	147,60	141,68	12	0,55	QCS83-1-035
36	151,70	145,72	16	0,58	QCS83-1-036
37	155,70	149,76	16	0,61	QCS83-1-037
38	159,80	153,80	16	0,65	QCS83-1-038
39	163,80	157,83	16	0,68	QCS83-1-039
40	167,80	161,87	16	0,72	QCS83-1-040
41	171,40	165,91	16	0,76	QCS83-1-041
42	175,40	169,95	16	0,79	QCS83-1-042
43	179,50	173,99	16	0,83	QCS83-1-043
44	183,50	178,03	16	0,87	QCS83-1-044
45	187,50	182,07	16	0,91	QCS83-1-045
46	191,60	186,10	20	0,95	QCS83-1-046
47	195,60	190,14	20	0,99	QCS83-1-047

Z	De [mm]	Dp [mm]	d1 [mm]	W [kg]	Part number
48	199,70	194,18	20	1,04	QCS83-1-048
49	203,70	198,22	20	1,08	QCS83-1-049
50	207,80	202,26	20	1,13	QCS83-1-050
51	211,80	206,30	20	1,17	QCS83-1-051
52	215,90	210,34	20	1,22	QCS83-1-052
53	219,90	214,37	20	1,27	QCS83-1-053
54	224,00	218,43	20	1,32	QCS83-1-054
55	228,00	222,46	20	1,37	QCS83-1-055
56	232,10	226,50	20	1,42	QCS83-1-056
57	236,10	230,54	20	1,47	QCS83-1-057
58	240,20	234,58	20	1,52	QCS83-1-058
59	244,20	238,62	20	1,57	QCS83-1-059
60	248,20	242,66	20	1,63	QCS83-1-060
62	256,70	250,75	20	1,74	QCS83-1-062
64	264,80	258,82	20	1,85	QCS83-1-064
65	268,80	262,86	20	1,91	QCS83-1-065
66	272,90	266,90	25	1,97	QCS83-1-066
68	280,90	274,99	25	2,09	QCS83-1-068
70	289,00	283,07	25	2,21	QCS83-1-070
72	297,10	291,16	25	2,34	QCS83-1-072
76	313,30	307,33	25	2,61	QCS83-1-076
78	321,40	315,40	25	2,76	QCS83-1-078
80	329,40	323,48	25	2,90	QCS83-1-080
85	349,70	343,70	25	3,28	QCS83-1-085
90	369,90	363,90	25	3,67	QCS83-1-090
100	410,30	404,31	25	4,54	QCS83-1-100
110	450,70	444,74	25	5,50	QCS83-1-110
114	466,90	460,90	25	5,91	QCS83-1-114
120	491,20	485,16	25	6,55	QCS83-1-120
125	511,40	505,37	25	7,11	QCS83-1-125

Material: C45 (Fe360B with $Z \geq 41$)

D_e External diameter mm
 D_p Pitch diameter mm
 W Weight kg

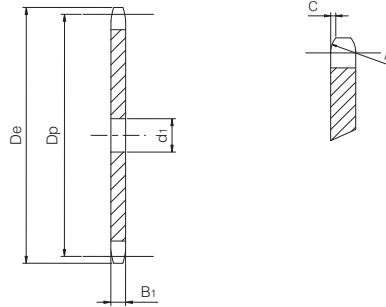
Simplex Plate Wheel

for chain according to DIN 8187 - ISO/R 606

ISO 08B-1 Pitch 1/2" x 5/16"



PLATE WHEEL	[mm]
Tooth radius r_3	13
Radius width C	1,3
Tooth width B_1	7,2
CHAIN	[mm]
Pitch	12,7
Internal width	7,75
Roller \varnothing	8,51



Z	De [mm]	Dp [mm]	d1 [mm]	W [kg]	Part number
8	37,00	33,18	8	0,05	QCS08B1-008
9	41,00	37,13	8	0,06	QCS08B1-009
10	45,20	41,10	8	0,07	QCS08B1-010
11	48,70	45,07	10	0,09	QCS08B1-011
12	53,00	49,07	10	0,10	QCS08B1-012
13	57,40	53,06	10	0,12	QCS08B1-013
14	61,80	57,07	10	0,14	QCS08B1-014
15	65,50	61,09	10	0,16	QCS08B1-015
16	69,50	65,10	10	0,18	QCS08B1-016
17	73,60	69,11	10	0,21	QCS08B1-017
18	77,80	73,14	10	0,23	QCS08B1-018
19	81,70	77,16	10	0,26	QCS08B1-019
20	85,80	81,19	10	0,29	QCS08B1-020
21	89,70	85,22	12	0,32	QCS08B1-021
22	93,80	89,24	12	0,35	QCS08B1-022
23	98,20	93,27	12	0,38	QCS08B1-023
24	101,80	97,29	12	0,42	QCS08B1-024
25	105,80	101,33	12	0,45	QCS08B1-025
26	110,00	105,36	16	0,48	QCS08B1-026
27	114,00	109,40	16	0,52	QCS08B1-027
28	118,00	113,42	16	0,56	QCS08B1-028
29	122,00	117,46	16	0,60	QCS08B1-029
30	126,10	121,50	16	0,65	QCS08B1-030
31	130,20	125,54	16	0,69	QCS08B1-031
32	134,30	129,56	16	0,74	QCS08B1-032
33	138,40	133,60	16	0,79	QCS08B1-033
34	142,60	137,64	16	0,83	QCS08B1-034
35	146,70	141,68	16	0,89	QCS08B1-035
36	151,00	145,72	16	0,94	QCS08B1-036
37	154,60	149,76	16	0,99	QCS08B1-037
38	158,60	153,80	16	1,05	QCS08B1-038
39	162,70	157,83	16	1,10	QCS08B1-039
40	166,80	161,87	16	1,16	QCS08B1-040
41	171,40	165,91	20	1,21	QCS08B1-041
42	175,40	169,94	20	1,27	QCS08B1-042
43	179,70	173,98	20	1,33	QCS08B1-043
44	183,80	178,03	20	1,40	QCS08B1-044
45	188,00	182,07	20	1,46	QCS08B1-045
46	192,10	186,10	20	1,53	QCS08B1-046
47	196,20	190,14	20	1,60	QCS08B1-047

Z	De [mm]	Dp [mm]	d1 [mm]	W [kg]	Part number
48	200,30	194,18	20	1,67	QCS08B1-048
49	204,30	198,22	20	1,74	QCS08B1-049
50	208,30	202,26	20	1,81	QCS08B1-050
51	212,10	206,30	20	1,88	QCS08B1-051
52	216,10	210,34	20	1,96	QCS08B1-052
53	220,20	214,37	20	2,04	QCS08B1-053
54	224,10	218,43	20	2,11	QCS08B1-054
55	228,10	222,46	20	2,19	QCS08B1-055
56	232,20	226,50	20	2,27	QCS08B1-056
57	236,40	230,54	20	2,36	QCS08B1-057
58	240,50	234,58	20	2,44	QCS08B1-058
59	244,50	238,62	20	2,53	QCS08B1-059
60	248,60	242,66	20	2,61	QCS08B1-060
62	256,90	250,74	25	2,78	QCS08B1-062
64	265,10	258,80	25	2,96	QCS08B1-064
65	269,00	262,86	25	3,06	QCS08B1-065
66	273,00	266,91	25	3,15	QCS08B1-066
68	281,00	274,99	25	3,35	QCS08B1-068
70	289,00	283,07	25	3,55	QCS08B1-070
72	297,20	291,15	25	3,76	QCS08B1-072
75	309,20	303,28	25	4,08	QCS08B1-075
76	313,30	307,32	25	4,19	QCS08B1-076
78	321,40	315,40	25	4,42	QCS08B1-078
80	329,40	323,49	25	4,65	QCS08B1-080
85	349,00	343,69	25	5,25	QCS08B1-085
90	369,90	363,90	25	5,89	QCS08B1-090
95	390,10	384,11	25	6,56	QCS08B1-095
100	410,30	404,32	25	7,28	QCS08B1-100
110	450,70	444,74	25	8,81	QCS08B1-110
114	466,90	460,91	25	9,46	QCS08B1-114
120	491,20	485,16	25	10,49	QCS08B1-120
125	511,30	505,37	25	11,38	QCS08B1-125

Material: C45 (Fe360B with Z ≥ 41)

De External diameter mm
Dp Pitch diameter mm
W Weight kg

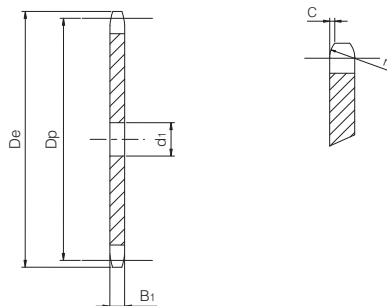
Simplex Plate Wheel

for chain according to DIN 8187 - ISO/R 606



ISO 10B-1 Pitch 5/8" x 3/8"

PLATE WHEEL	[mm]
Tooth radius r_3	16
Radius width C	1,6
Tooth width B_1	9,1
CHAIN	[mm]
Pitch	15,875
Internal width	9,65
Roller ϕ	10,16



Z	De [mm]	Dp [mm]	d1 [mm]	W [kg]	Part number
8	47,00	41,48	10	0,09	QCS10B1-008
9	52,60	46,42	10	0,12	QCS10B1-009
10	57,50	51,37	10	0,14	QCS10B1-010
11	63,00	56,34	10	0,17	QCS10B1-011
12	68,00	61,34	10	0,21	QCS10B1-012
13	73,00	66,32	10	0,24	QCS10B1-013
14	78,00	71,34	10	0,28	QCS10B1-014
15	83,00	76,36	10	0,32	QCS10B1-015
16	88,00	81,37	12	0,37	QCS10B1-016
17	93,00	86,39	12	0,41	QCS10B1-017
18	98,30	91,42	12	0,46	QCS10B1-018
19	103,30	96,45	12	0,52	QCS10B1-019
20	108,40	101,49	12	0,57	QCS10B1-020
21	113,40	106,52	12	0,63	QCS10B1-021
22	118,00	111,55	12	0,69	QCS10B1-022
23	123,50	116,58	12	0,76	QCS10B1-023
24	128,30	121,62	12	0,83	QCS10B1-024
25	134,00	126,66	12	0,90	QCS10B1-025
26	139,00	131,70	16	0,96	QCS10B1-026
27	144,00	136,75	16	1,04	QCS10B1-027
28	148,70	141,78	16	1,12	QCS10B1-028
29	153,80	146,83	16	1,20	QCS10B1-029
30	158,80	151,87	16	1,29	QCS10B1-030
31	163,90	156,92	16	1,38	QCS10B1-031
32	168,90	161,95	16	1,47	QCS10B1-032
33	174,50	167,00	16	1,56	QCS10B1-033
34	179,00	172,05	16	1,66	QCS10B1-034
35	184,10	177,10	16	1,76	QCS10B1-035
36	189,10	182,15	20	1,85	QCS10B1-036
37	194,20	187,20	20	1,96	QCS10B1-037
38	199,20	192,24	20	2,06	QCS10B1-038
39	204,20	197,29	20	2,18	QCS10B1-039
40	209,30	202,34	20	2,29	QCS10B1-040
41	214,80	207,38	20	2,41	QCS10B1-041
42	219,90	212,43	20	2,53	QCS10B1-042
43	224,90	217,48	20	2,65	QCS10B1-043
44	230,00	222,53	20	2,77	QCS10B1-044
45	235,00	227,58	20	2,90	QCS10B1-045
46	240,10	232,63	20	3,03	QCS10B1-046
47	245,10	237,68	20	3,17	QCS10B1-047

Z	De [mm]	Dp [mm]	d1 [mm]	W [kg]	Part number
48	250,20	242,73	10	3,32	QCS10B1-048
49	255,20	247,78	20	3,44	QCS10B1-049
50	260,30	252,82	20	3,59	QCS10B1-050
51	265,30	257,87	20	3,73	QCS10B1-051
52	270,40	262,92	20	3,88	QCS10B1-052
53	275,40	267,97	20	4,03	QCS10B1-053
54	280,50	273,03	20	4,19	QCS10B1-054
55	285,50	278,08	20	4,34	QCS10B1-055
56	290,60	283,13	25	4,49	QCS10B1-056
57	296,00	288,18	25	4,65	QCS10B1-057
58	300,70	293,23	25	4,82	QCS10B1-058
59	305,70	298,28	25	4,99	QCS10B1-059
60	310,80	303,33	25	5,16	QCS10B1-060
62	321,40	313,43	25	5,51	QCS10B1-062
64	331,50	323,53	25	5,87	QCS10B1-064
65	336,50	328,58	25	6,06	QCS10B1-065
66	341,60	333,64	25	6,25	QCS10B1-066
68	351,70	343,74	25	6,64	QCS10B1-068
70	361,80	353,84	25	7,03	QCS10B1-070
72	371,90	363,94	25	7,44	QCS10B1-072
75	387,10	379,10	25	8,08	QCS10B1-075
76	392,10	384,15	25	8,30	QCS10B1-076
78	402,20	394,25	25	8,74	QCS10B1-078
80	412,30	404,36	25	9,20	QCS10B1-080
85	437,60	429,62	30	10,37	QCS10B1-085
90	462,80	454,88	30	11,63	QCS10B1-090
95	488,50	480,14	30	12,97	QCS10B1-095
100	513,40	505,40	30	14,37	QCS10B1-100
110	563,90	555,92	30	17,40	QCS10B1-110
114	584,10	576,13	30	18,69	QCS10B1-114
120	614,40	606,45	30	20,71	QCS10B1-120
125	639,70	631,51	30	22,47	QCS10B1-125

Material: C45 (Fe360B with Z ≥ 41)

De External diameter mm
 Dp Pitch diameter mm
 W Weight kg

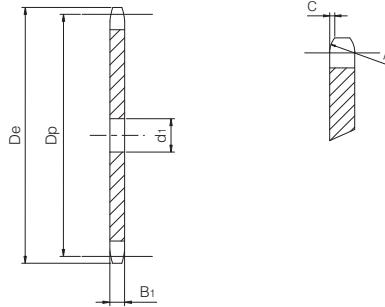
Simplex Plate Wheel

for chain according to DIN 8187 - ISO/R 606

ISO 12B-1 Pitch 3/4" x 7/16"



PLATE WHEEL	[mm]
Tooth radius r_3	19
Radius width C	2
Tooth width B_1	11,1
CHAIN	[mm]
Pitch	19,05
Internal width	11,68
Roller \varnothing	12,07



Z	De [mm]	Dp [mm]	d1 [mm]	W [kg]	Part number
8	57,30	49,78	10	0,16	QCS12B1-008
9	62,00	55,70	10	0,20	QCS12B1-009
10	69,00	61,64	10	0,25	QCS12B1-010
11	75,00	67,61	12	0,30	QCS12B1-011
12	81,50	73,60	14	0,35	QCS12B1-012
13	87,50	79,59	14	0,42	QCS12B1-013
14	93,60	85,61	14	0,49	QCS12B1-014
15	99,80	91,63	14	0,56	QCS12B1-015
16	105,50	97,65	14	0,64	QCS12B1-016
17	111,50	103,67	14	0,72	QCS12B1-017
18	118,00	109,71	14	0,81	QCS12B1-018
19	124,20	115,75	14	0,90	QCS12B1-019
20	129,70	121,78	14	1,00	QCS12B1-020
21	136,00	127,82	16	1,10	QCS12B1-021
22	141,00	133,86	16	1,21	QCS12B1-022
23	149,00	139,90	16	1,33	QCS12B1-023
24	153,90	145,94	16	1,44	QCS12B1-024
25	160,00	152,00	16	1,57	QCS12B1-025
26	165,90	158,04	16	1,70	QCS12B1-026
27	172,30	164,09	16	1,83	QCS12B1-027
28	178,00	170,13	16	1,97	QCS12B1-028
29	184,10	176,19	16	2,12	QCS12B1-029
30	190,50	182,25	16	2,26	QCS12B1-030
31	196,30	188,31	20	2,41	QCS12B1-031
32	203,30	194,35	20	2,57	QCS12B1-032
33	209,30	200,40	20	2,73	QCS12B1-033
34	214,60	206,46	20	2,90	QCS12B1-034
35	221,00	212,52	20	3,08	QCS12B1-035
36	226,80	218,58	20	3,26	QCS12B1-036
37	232,90	224,64	20	3,44	QCS12B1-037
38	239,00	230,69	20	3,63	QCS12B1-038
39	245,10	236,75	20	3,83	QCS12B1-039
40	251,30	242,81	20	4,03	QCS12B1-040
41	257,30	248,86	25	4,22	QCS12B1-041
42	264,50	254,92	25	4,43	QCS12B1-042
43	270,50	260,98	25	4,64	QCS12B1-043
44	276,50	267,03	25	4,86	QCS12B1-044
45	282,50	273,09	25	5,09	QCS12B1-045
46	287,90	279,15	25	5,32	QCS12B1-046
47	294,00	285,21	25	5,55	QCS12B1-047

Z	De [mm]	Dp [mm]	d1 [mm]	W [kg]	Part number
48	300,10	291,27	25	5,78	QCS12B1-048
49	306,20	297,33	25	6,04	QCS12B1-049
50	312,30	303,39	25	6,29	QCS12B1-050
51	318,40	309,45	25	6,55	QCS12B1-051
52	324,50	315,51	25	6,81	QCS12B1-052
53	330,50	321,57	25	7,07	QCS12B1-053
54	336,60	327,63	25	7,34	QCS12B1-054
55	342,70	333,69	25	7,62	QCS12B1-055
56	348,70	339,75	25	7,90	QCS12B1-056
57	355,40	345,81	25	8,19	QCS12B1-057
58	361,50	351,87	25	8,48	QCS12B1-058
59	367,50	357,93	25	8,78	QCS12B1-059
60	373,00	363,99	25	9,08	QCS12B1-060
62	385,10	376,12	25	9,70	QCS12B1-062
64	397,20	388,24	25	10,33	QCS12B1-064
65	403,20	394,30	25	10,66	QCS12B1-065
66	409,30	400,36	30	10,97	QCS12B1-066
68	421,40	412,49	30	11,65	QCS12B1-068
70	433,60	424,61	30	12,35	QCS12B1-070
72	447,00	436,73	30	13,07	QCS12B1-072
75	463,90	454,92	30	14,19	QCS12B1-075
76	469,90	460,98	30	14,57	QCS12B1-076
78	482,10	473,10	30	15,35	QCS12B1-078
80	494,20	485,23	30	16,15	QCS12B1-080
85	524,50	515,54	30	18,24	QCS12B1-085
90	554,80	545,85	30	20,45	QCS12B1-090
95	585,10	576,17	30	22,80	QCS12B1-095
100	615,40	606,48	30	25,27	QCS12B1-100
110	676,10	667,11	30	30,58	QCS12B1-110
114	700,60	691,36	30	32,85	QCS12B1-114
120	736,70	727,74	30	36,41	QCS12B1-120
125	767,00	758,06	30	39,51	QCS12B1-125

Material: C45 (Fe360B with Z ≥ 41)

De External diameter mm
Dp Pitch diameter mm
W Weight kg

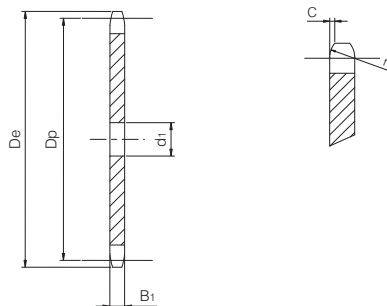
Simplex Plate Wheel

for chain according to DIN 8187 - ISO/R 606



ISO 16B-1 Pitch 1" x 17,02 mm

PLATE WHEEL	[mm]
Tooth radius r_3	26
Radius width C	2,5
Tooth width B_1	16,2
CHAIN	[mm]
Pitch	25,4
Internal width	17,02
Roller ϕ	15,88



Z	De [mm]	Dp [mm]	d1 [mm]	W [kg]	Part number
8	77,00	66,37	12	0,42	QCS16B1-008
9	85,00	74,27	12	0,54	QCS16B1-009
10	93,00	82,19	12	0,66	QCS16B1-010
11	101,50	90,14	16	0,79	QCS16B1-011
12	109,00	98,14	16	0,94	QCS16B1-012
13	117,00	106,12	16	1,10	QCS16B1-013
14	125,00	114,15	16	1,28	QCS16B1-014
15	133,00	122,17	16	1,47	QCS16B1-015
16	141,00	130,20	20	1,66	QCS16B1-016
17	149,00	138,22	20	1,88	QCS16B1-017
18	157,00	146,28	20	2,11	QCS16B1-018
19	165,20	154,33	20	2,35	QCS16B1-019
20	173,20	162,38	20	2,61	QCS16B1-020
21	181,20	170,43	20	2,87	QCS16B1-021
22	189,30	178,48	20	3,16	QCS16B1-022
23	197,50	186,53	20	3,45	QCS16B1-023
24	205,50	194,59	20	3,76	QCS16B1-024
25	213,50	202,66	20	4,08	QCS16B1-025
26	221,60	210,72	20	4,42	QCS16B1-026
27	229,60	218,79	20	4,77	QCS16B1-027
28	237,70	226,85	20	5,13	QCS16B1-028
29	245,80	234,92	20	5,50	QCS16B1-029
30	254,00	243,00	20	5,89	QCS16B1-030
31	262,00	251,08	25	6,27	QCS16B1-031
32	270,00	259,13	25	6,68	QCS16B1-032
33	278,50	267,21	25	7,11	QCS16B1-033
34	287,00	275,28	25	7,55	QCS16B1-034
35	296,20	283,36	25	8,00	QCS16B1-035
36	304,60	291,44	25	8,47	QCS16B1-036
37	312,60	299,51	25	8,95	QCS16B1-037
38	320,70	307,59	25	9,44	QCS16B1-038
39	328,80	315,67	25	9,95	QCS16B1-039
40	336,90	323,75	25	10,47	QCS16B1-040
41	345,00	331,81	25	11,00	QCS16B1-041
42	353,00	339,89	25	11,54	QCS16B1-042
43	361,10	347,97	25	12,10	QCS16B1-043
44	369,10	356,05	25	12,67	QCS16B1-044
45	377,10	364,12	25	13,26	QCS16B1-045
46	385,20	372,20	25	13,86	QCS16B1-046
47	393,20	380,28	25	14,47	QCS16B1-047

Z	De [mm]	Dp [mm]	d1 [mm]	W [kg]	Part number
48	401,30	388,36	25	15,09	QCS16B1-048
49	409,30	396,44	25	15,73	QCS16B1-049
50	417,40	404,52	25	16,38	QCS16B1-050
51	425,50	412,60	30	17,02	QCS16B1-051
52	433,60	420,68	30	17,69	QCS16B1-052
53	441,70	428,76	30	18,38	QCS16B1-053
54	448,30	436,84	30	19,09	QCS16B1-054
55	457,90	444,92	30	19,80	QCS16B1-055
56	466,00	453,01	30	20,53	QCS16B1-056
57	474,00	461,08	30	21,27	QCS16B1-057
58	482,10	469,16	30	22,03	QCS16B1-058
59	490,20	477,24	30	22,80	QCS16B1-059
60	498,30	485,33	30	23,58	QCS16B1-060
62	514,50	501,49	30	25,18	QCS16B1-062
64	530,70	517,65	30	26,84	QCS16B1-064
65	538,80	525,73	30	27,69	QCS16B1-065
66	546,80	533,80	30	28,55	QCS16B1-066
68	562,90	549,98	30	30,31	QCS16B1-068
70	579,20	566,15	30	32,12	QCS16B1-070
72	595,40	582,31	30	33,99	QCS16B1-072
75	619,70	606,56	30	36,89	QCS16B1-075
76	627,00	614,64	30	37,88	QCS16B1-076
78	643,30	630,81	30	39,90	QCS16B1-078
80	660,00	646,97	30	41,98	QCS16B1-080
85	699,90	687,39	30	47,40	QCS16B1-085
90	740,30	727,80	30	53,15	QCS16B1-090
95	781,10	768,22	30	59,22	QCS16B1-095
100	821,10	808,64	30	65,63	QCS16B1-100
110	902,00	889,48	30	79,43	QCS16B1-110
114	934,30	921,81	30	85,32	QCS16B1-114
120	982,80	970,32	30	94,54	QCS16B1-120
125	1023,30	1010,73	30	102,59	QCS16B1-125

Material: C45 (Fe360B with Z ≥ 31)

De External diameter mm
 Dp Pitch diameter mm
 W Weight kg

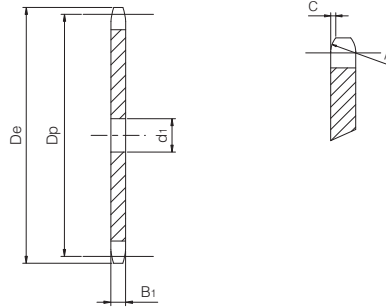
Simplex Plate Wheel

for chain according to DIN 8187 - ISO/R 606



ISO 20B-1 Pitch 1" 1/4 x 3/4"

PLATE WHEEL	[mm]
Tooth radius r_3	32
Radius width C	3,5
Tooth width B_1	18,5
CHAIN	[mm]
Pitch	31,75
Internal width	19,56
Roller \varnothing	19,05



Z	De [mm]	Dp [mm]	d1 [mm]	W [kg]	Part number
8	98,10	82,96	16	0,76	QCS20B1-008
9	108,00	92,84	16	0,96	QCS20B1-009
10	117,90	102,74	16	1,18	QCS20B1-010
11	127,80	112,68	16	1,42	QCS20B1-011
12	137,80	122,68	20	1,68	QCS20B1-012
13	147,80	132,65	20	1,97	QCS20B1-013
14	157,80	142,68	20	2,29	QCS20B1-014
15	167,90	152,72	20	2,63	QCS20B1-015
16	177,90	162,75	20	2,99	QCS20B1-016
17	187,90	172,78	20	3,38	QCS20B1-017
18	198,00	182,85	20	3,79	QCS20B1-018
19	208,10	192,91	20	4,22	QCS20B1-019
20	218,10	202,98	20	4,68	QCS20B1-020
21	228,20	213,04	25	5,13	QCS20B1-021
22	238,30	223,11	25	5,64	QCS20B1-022
23	248,30	233,17	25	6,16	QCS20B1-023
24	258,40	243,23	25	6,71	QCS20B1-024
25	268,50	253,33	25	7,29	QCS20B1-025
26	278,60	263,40	25	7,89	QCS20B1-026
27	288,60	273,49	25	8,51	QCS20B1-027
28	298,70	283,56	25	9,1578	QCS20B1-028
29	308,80	293,65	25	9,82	QCS20B1-029
30	318,90	303,75	25	10,51	QCS20B1-030
31	329,00	313,85	25	11,23	QCS20B1-031
32	339,10	323,91	25	11,97	QCS20B1-032
33	349,20	334,01	25	12,73	QCS20B1-033
34	359,30	344,10	25	13,51	QCS20B1-034
35	369,40	354,20	25	14,32	QCS20B1-035
36	379,50	364,30	25	15,16	QCS20B1-036
37	389,50	374,39	25	16,01	QCS20B1-037
38	399,60	384,49	25	16,89	QCS20B1-038
39	409,70	394,59	25	17,80	QCS20B1-039
40	419,80	404,69	25	18,72	QCS20B1-040
41	429,90	414,77	30	19,64	QCS20B1-041
42	440,00	424,86	30	20,61	QCS20B1-042
43	450,10	434,96	30	21,61	QCS20B1-043
44	460,20	445,06	30	22,63	QCS20B1-044
45	470,30	455,17	30	23,67	QCS20B1-045
46	480,40	465,25	30	24,74	QCS20B1-046
47	490,50	475,35	30	25,83	QCS20B1-047

Z	De [mm]	Dp [mm]	d1 [mm]	W [kg]	Part number
48	500,60	485,45	30	26,94	QCS20B1-048
49	510,70	495,55	30	28,08	QCS20B1-049
50	520,80	505,65	30	29,24	QCS20B1-050
51	530,90	515,75	30	30,42	QCS20B1-051
52	541,00	525,85	30	31,63	QCS20B1-052
53	551,10	535,95	30	32,86	QCS20B1-053
54	561,20	546,05	30	34,12	QCS20B1-054
55	571,30	556,15	30	35,40	QCS20B1-055
56	581,40	566,25	30	36,70	QCS20B1-056
57	591,50	576,35	30	38,02	QCS20B1-057
58	601,60	586,45	30	39,37	QCS20B1-058
59	611,70	596,56	30	40,74	QCS20B1-059
60	621,80	606,66	30	42,14	QCS20B1-060
62	642,00	626,86	30	45,00	QCS20B1-062
64	662,20	647,07	30	47,95	QCS20B1-064
65	672,30	657,17	30	49,46	QCS20B1-065
66	682,40	667,27	30	51,00	QCS20B1-066
68	702,60	687,48	30	54,14	QCS20B1-068
70	722,80	707,68	30	57,38	QCS20B1-070
72	743,10	727,89	30	60,71	QCS20B1-072
75	773,30	758,20	30	65,88	QCS20B1-075
76	783,50	768,32	30	67,65	QCS20B1-076
80	823,90	808,71	30	74,96	QCS20B1-080
85	874,40	859,23	30	84,64	QCS20B1-085
90	924,90	909,76	30	94,90	QCS20B1-090
95	975,20	960,28	30	105,74	QCS20B1-095
100	1026,00	1010,80	30	117,17	QCS20B1-100
114	1167,40	1152,26	30	152,29	QCS20B1-114

Material: C45 (Fe360B with Z ≥ 26)

De External diameter mm
 Dp Pitch diameter mm
 W Weight kg

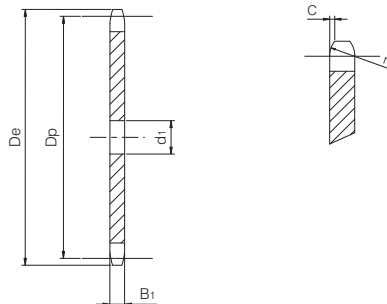
Simplex Plate Wheel

for chain according to DIN 8187 - ISO/R 606



ISO 24B-1 Pitch 1" 1/2 x 1"

PLATE WHEEL	[mm]
Tooth radius r_3	38
Radius width C	4
Tooth width B_1	24,1
CHAIN	[mm]
Pitch	38,1
Internal width	25,4
Roller \varnothing	25,4



Z	De [mm]	Dp [mm]	d1 [mm]	W [kg]	Part number
8	115,00	99,55	20	1,42	QCS24B1-008
9	126,40	111,40	20	1,79	QCS24B1-009
10	138,00	123,29	20	2,21	QCS24B1-010
11	150,00	135,21	20	2,67	QCS24B1-011
12	162,00	147,22	20	3,18	QCS24B1-012
13	174,20	159,18	20	3,72	QCS24B1-013
14	186,20	171,22	20	4,32	QCS24B1-014
15	198,20	183,26	20	4,96	QCS24B1-015
16	210,30	195,30	25	5,61	QCS24B1-016
17	222,30	207,34	25	6,33	QCS24B1-017
18	234,30	219,42	25	7,10	QCS24B1-018
19	246,50	231,49	25	7,91	QCS24B1-019
20	258,60	243,57	25	8,77	QCS24B1-020
21	270,60	255,65	25	9,67	QCS24B1-021
22	282,70	267,73	25	10,62	QCS24B1-022
23	294,80	279,80	25	11,61	QCS24B1-023
24	306,80	291,88	25	12,64	QCS24B1-024
25	319,00	304,00	25	13,72	QCS24B1-025
26	331,00	316,08	30	14,80	QCS24B1-026
27	343,20	328,19	30	15,97	QCS24B1-027
28	355,20	340,27	30	17,17	QCS24B1-028
29	367,30	352,38	30	18,43	QCS24B1-029
30	379,50	364,50	30	19,73	QCS24B1-030
31	391,60	376,62	30	21,07	QCS24B1-031
32	403,70	388,69	30	22,45	QCS24B1-032
33	415,80	400,81	30	23,88	QCS24B1-033
34	427,80	412,93	30	25,36	QCS24B1-034
35	440,00	425,04	30	26,87	QCS24B1-035
36	452,00	437,16	30	28,44	QCS24B1-036
37	464,20	449,27	30	30,04	QCS24B1-037
38	476,20	461,39	30	31,69	QCS24B1-038
39	488,50	473,50	30	33,39	QCS24B1-039
40	500,60	485,62	30	35,12	QCS24B1-040
41	512,60	497,72	30	36,90	QCS24B1-041
42	524,70	509,83	30	38,73	QCS24B1-042
43	536,80	521,95	30	40,60	QCS24B1-043
44	549,00	534,07	30	42,51	QCS24B1-044
45	561,20	546,19	30	44,47	QCS24B1-045
46	573,30	558,30	30	46,47	QCS24B1-046
47	585,40	570,42	30	48,52	QCS24B1-047

Z	De [mm]	Dp [mm]	d1 [mm]	W [kg]	Part number
48	597,40	582,54	30	50,60	QCS24B1-048
49	609,50	594,66	30	52,74	QCS24B1-049
50	621,70	606,78	30	54,92	QCS24B1-050
51	633,80	618,90	30	57,14	QCS24B1-051
52	646,00	631,01	30	59,40	QCS24B1-052
53	658,00	643,13	30	61,71	QCS24B1-053
54	670,20	655,28	30	64,07	QCS24B1-054
55	682,30	667,40	30	66,47	QCS24B1-055
56	694,40	679,51	30	68,90	QCS24B1-056
57	706,50	691,63	30	71,39	QCS24B1-057
58	718,60	703,74	30	73,92	QCS24B1-058
59	730,70	715,86	30	76,49	QCS24B1-059
60	742,80	727,97	30	79,10	QCS24B1-060
62	767,20	752,24	40	84,37	QCS24B1-062
64	791,30	776,48	40	89,91	QCS24B1-064
65	803,40	788,59	40	92,75	QCS24B1-065
66	815,60	800,71	40	95,63	QCS24B1-066
68	839,80	824,98	40	101,53	QCS24B1-068
70	864,20	849,21	40	107,59	QCS24B1-070
72	888,40	873,48	40	113,84	QCS24B1-072
75	924,80	909,83	40	123,54	QCS24B1-075
76	936,90	921,98	40	126,87	QCS24B1-076
80	985,40	970,44	40	140,58	QCS24B1-080
85	1046,00	1031,10	40	158,73	QCS24B1-085
95	1167,30	1152,33	40	198,31	QCS24B1-095

Material: C45 (Fe360B with Z ≥ 16)

De External diameter mm
 Dp Pitch diameter mm
 W Weight kg

Simplex Plate Wheel

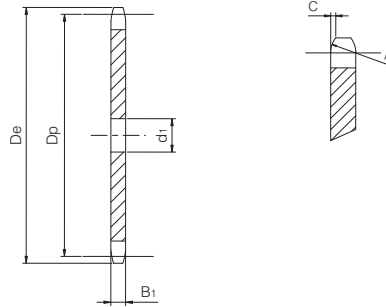
Simplex Plate Wheel

for chain according to DIN 8187 - ISO/R 606



ISO 28B-1 Pitch 1" 3/4 x 1" 1/4

PLATE WHEEL	[mm]
Tooth radius r_3	44
Radius width C	5
Tooth width B_1	29,4
CHAIN	[mm]
Pitch	44,45
Internal width	30,99
Roller \varnothing	27,94



Z	De [mm]	Dp [mm]	d1 [mm]	W [kg]	Part number
8	132,00	116,15	20	2,38	QCS28B1-008
9	148,40	129,96	20	3,00	QCS28B1-009
10	162,30	143,85	20	3,70	QCS28B1-010
11	176,30	157,77	25	4,42	QCS28B1-011
12	189,50	171,74	25	5,26	QCS28B1-012
13	204,20	185,74	25	6,17	QCS28B1-013
14	218,20	199,76	25	7,16	QCS28B1-014
15	232,30	213,79	25	8,22	QCS28B1-015
16	246,30	227,84	30	9,30	QCS28B1-016
17	260,00	241,91	30	10,51	QCS28B1-017
18	274,00	255,98	30	11,78	QCS28B1-018
19	289,00	270,06	30	13,13	QCS28B1-019
20	303,00	284,15	30	14,56	QCS28B1-020
21	317,00	298,24	30	16,06	QCS28B1-021
22	331,00	312,34	30	17,63	QCS28B1-022
23	345,00	326,44	30	19,27	QCS28B1-023
24	359,00	340,55	30	20,99	QCS28B1-024
25	373,00	354,66	30	22,78	QCS28B1-025
26	387,00	368,77	30	24,64	QCS28B1-026
27	401,40	382,88	30	26,57	QCS28B1-027
28	416,00	397,00	30	28,58	QCS28B1-028
29	430,00	411,12	30	30,66	QCS28B1-029
30	444,00	425,24	30	32,82	QCS28B1-030
31	458,00	439,37	30	35,05	QCS28B1-031
32	472,00	453,49	30	37,35	QCS28B1-032
33	486,00	467,62	30	39,72	QCS28B1-033
34	500,00	481,75	30	42,17	QCS28B1-034
35	514,00	495,88	30	44,69	QCS28B1-035
36	529,00	510,01	30	47,28	QCS28B1-036
37	543,00	524,14	30	49,94	QCS28B1-037
38	557,00	538,27	30	52,68	QCS28B1-038
39	571,00	552,40	30	55,49	QCS28B1-039
40	585,00	566,54	30	58,38	QCS28B1-040
45	656,00	637,22	30	73,90	QCS28B1-045
50	726,00	707,91	30	91,25	QCS28B1-050
57	825,00	806,89	40	118,47	QCS28B1-057
60	869,00	849,32	40	131,29	QCS28B1-060
76	1095,00	1075,60	40	210,74	QCS28B1-076

Material: C45 (Fe360B with Z ≥ 13)

D_e External diameter mm
 D_p Pitch diameter mm
 W Weight kg

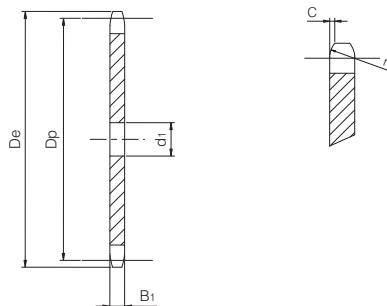
Simplex Plate Wheel

for chain according to DIN 8187 - ISO/R 606



ISO 32B-1 Pitch 2" x 1" 1/4

PLATE WHEEL	[mm]
Tooth radius r_3	51
Radius width C	6
Tooth width B_1	29,4
CHAIN	[mm]
Pitch	50,8
Internal width	30,99
Roller \varnothing	29,21



Z	De [mm]	Dp [mm]	d1 [mm]	W [kg]	Part number
8	153,00	132,69	25	3,09	QCS32B1-008
9	169,00	148,54	25	3,91	QCS32B1-009
10	185,00	164,44	25	4,81	QCS32B1-010
11	200,80	180,34	30	5,76	QCS32B1-011
12	216,80	196,29	30	6,86	QCS32B1-012
13	232,80	212,29	30	8,05	QCS32B1-013
14	248,80	228,29	30	9,34	QCS32B1-014
15	264,80	244,30	30	10,72	QCS32B1-015
16	280,90	260,40	30	12,20	QCS32B1-016
17	296,90	276,40	30	13,77	QCS32B1-017
18	313,00	292,55	30	15,44	QCS32B1-018
19	329,10	308,66	30	17,21	QCS32B1-019
20	345,20	324,71	30	19,06	QCS32B1-020
21	361,30	340,82	30	21,02	QCS32B1-021
22	377,50	356,98	30	23,08	QCS32B1-022
23	393,60	373,08	30	25,22	QCS32B1-023
24	409,70	389,18	30	27,46	QCS32B1-024
25	425,80	405,33	30	29,80	QCS32B1-025
26	441,90	421,44	30	32,23	QCS32B1-026
27	458,10	437,59	30	34,76	QCS32B1-027
28	474,20	453,69	30	37,38	QCS32B1-028
29	490,40	469,90	30	40,11	QCS32B1-029
30	506,50	486,00	30	42,92	QCS32B1-030
32	538,80	518,26	30	48,83	QCS32B1-032
35	589,50	566,72	30	58,42	QCS32B1-035
38	635,50	615,14	30	68,86	QCS32B1-038
40	670,30	647,49	40	76,18	QCS32B1-040
45	751,00	728,25	40	96,45	QCS32B1-045
50	831,80	809,04	40	119,10	QCS32B1-050
57	945,00	922,16	40	154,83	QCS32B1-057
60	993,40	970,65	40	171,57	QCS32B1-060
76	1252,00	1229,30	40	275,37	QCS32B1-076

Material: C45 (Fe360B with Z ≥ 12)

De External diameter mm
 Dp Pitch diameter mm
 W Weight kg

DUPLEX PLATE WHEELS

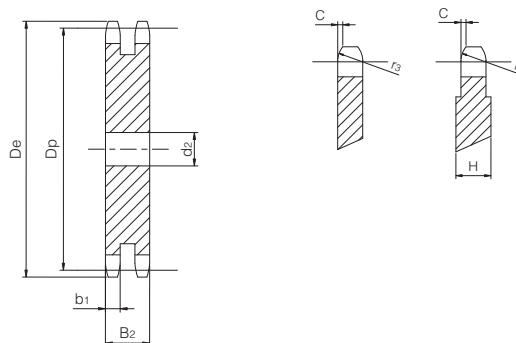
Duplex Plate Wheel

for chain according to DIN 8187 - ISO/R 606



ISO 05B-2 Pitch 8 x 3 mm

PLATE WHEEL	[mm]
Tooth radius r_3	8
Radius width C	1
Tooth width b_1	2,7
Tooth width B_2	8,3
Width H (with $Z \geq 46$)	4
CHAIN	[mm]
Pitch	8
Internal width	3
Roller ϕ	5



Z	De [mm]	Dp [mm]	d2 [mm]	W [kg]	Part number
8	24,00	20,90	8	0,02	QCD05B2-008
9	26,60	23,39	8	0,02	QCD05B2-009
10	29,20	25,89	8	0,03	QCD05B2-010
11	31,70	28,39	8	0,04	QCD05B2-011
12	34,20	30,91	8	0,05	QCD05B2-012
13	36,70	33,42	8	0,05	QCD05B2-013
14	39,20	35,95	8	0,06	QCD05B2-014
15	41,70	38,48	8	0,07	QCD05B2-015
16	44,30	41,01	10	0,08	QCD05B2-016
17	46,80	43,53	10	0,09	QCD05B2-017
18	49,30	46,07	10	0,10	QCD05B2-018
19	51,90	48,61	10	0,11	QCD05B2-019
20	54,40	51,14	10	0,13	QCD05B2-020
21	57,00	53,68	10	0,14	QCD05B2-021
22	59,50	56,21	10	0,16	QCD05B2-022
23	62,00	58,75	10	0,17	QCD05B2-023
24	64,60	61,29	10	0,19	QCD05B2-024
25	67,50	63,83	10	0,20	QCD05B2-025
26	69,50	66,37	12	0,22	QCD05B2-026
27	72,20	68,91	12	0,24	QCD05B2-027
28	74,80	71,45	12	0,26	QCD05B2-028
29	77,30	73,99	12	0,27	QCD05B2-029
30	79,80	76,53	12	0,29	QCD05B2-030
31	82,40	79,08	12	0,31	QCD05B2-031
32	84,90	81,61	12	0,34	QCD05B2-032
33	87,50	84,16	12	0,36	QCD05B2-033
34	90,00	86,70	12	0,38	QCD05B2-034
35	92,50	89,25	12	0,40	QCD05B2-035
36	95,00	91,79	12	0,42	QCD05B2-036
37	97,60	94,33	12	0,45	QCD05B2-037
38	100,20	96,88	12	0,48	QCD05B2-038
39	102,70	99,42	12	0,50	QCD05B2-039
40	105,30	101,97	12	0,53	QCD05B2-040
41	107,80	104,51	14	0,55	QCD05B2-041
42	110,40	107,05	14	0,58	QCD05B2-042
43	112,90	109,60	14	0,60	QCD05B2-043
44	115,50	112,14	14	0,64	QCD05B2-044
45	118,00	114,69	14	0,67	QCD05B2-045
46	120,60	117,23	14	0,70	QCD05B2-046
47	123,10	119,77	14	0,73	QCD05B2-047

Z	De [mm]	Dp [mm]	d2 [mm]	W [kg]	Part number
48	125,60	122,32	14	0,76	QCD05B2-048
49	128,20	124,86	14	0,79	QCD05B2-049
50	130,70	127,41	14	0,82	QCD05B2-050
51	133,30	129,95	16	0,85	QCD05B2-051
52	135,80	132,49	16	0,89	QCD05B2-052
53	138,40	135,04	16	0,92	QCD05B2-053
54	140,90	137,59	16	0,96	QCD05B2-054
55	143,50	140,13	16	0,99	QCD05B2-055
56	146,00	142,68	16	1,03	QCD05B2-056
57	148,60	145,22	16	1,07	QCD05B2-057
58	151,00	147,77	16	1,11	QCD05B2-058
59	153,60	150,31	16	1,15	QCD05B2-059
60	156,20	152,86	16	1,19	QCD05B2-060
62	162,00	157,95	20	1,26	QCD05B2-062
64	167,10	163,04	20	1,34	QCD05B2-064
65	169,60	165,58	20	1,39	QCD05B2-065
66	172,20	168,13	20	1,43	QCD05B2-066
68	177,30	173,22	20	1,52	QCD05B2-068
70	182,40	178,31	20	1,61	QCD05B2-070
72	187,50	183,40	20	1,71	QCD05B2-072
75	195,10	191,04	20	1,85	QCD05B2-075
76	197,70	193,59	20	1,90	QCD05B2-076
78	202,80	198,68	20	2,01	QCD05B2-078
80	207,90	203,77	20	2,11	QCD05B2-080
85	220,60	216,50	20	2,39	QCD05B2-085
90	233,40	229,23	20	2,68	QCD05B2-090
95	246,10	241,96	20	2,99	QCD05B2-095
100	258,90	254,68	20	3,31	QCD05B2-100
110	284,30	280,15	20	4,02	QCD05B2-110
114	294,50	290,33	20	4,32	QCD05B2-114
120	310,00	305,61	20	4,78	QCD05B2-120
125	322,50	318,34	20	5,19	QCD05B2-125

Material: C45 (Fe360B with $Z \geq 41$)

D_e External diameter mm
 D_p Pitch diameter mm
 W Weight kg

Duplex Plate Wheel

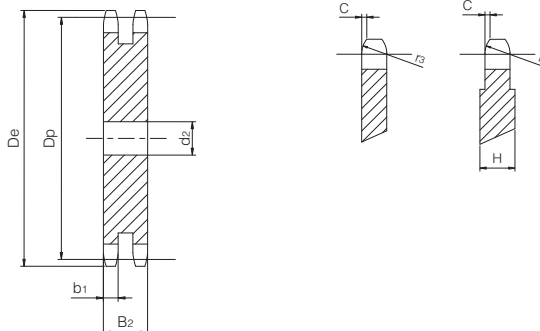
for chain according to DIN 8187 - ISO/R 606

ISO 06B-2

Pitch 3/8" x 7/32"



PLATE WHEEL	[mm]
Tooth radius r_3	10
Radius width C	1
Tooth width b_1	5,2
Tooth width B_2	15,4
Width H (with $Z \geq 100$)	7
CHAIN	[mm]
Pitch	9,525
Internal width	5,72
Roller ϕ	6,35



Z	De [mm]	Dp [mm]	d2 [mm]	W [kg]	Part number
8	28,00	24,89	8	0,05	QCD06B2-008
9	31,00	27,85	8	0,06	QCD06B2-009
10	34,00	30,82	8	0,08	QCD06B2-010
11	37,00	33,80	10	0,09	QCD06B2-011
12	40,00	36,80	10	0,12	QCD06B2-012
13	43,00	39,79	10	0,14	QCD06B2-013
14	46,30	42,80	10	0,16	QCD06B2-014
15	49,30	45,81	10	0,19	QCD06B2-015
16	52,30	48,82	12	0,21	QCD06B2-016
17	55,30	51,83	12	0,24	QCD06B2-017
18	58,30	54,85	12	0,27	QCD06B2-018
19	61,30	57,87	12	0,30	QCD06B2-019
20	64,30	60,89	12	0,34	QCD06B2-020
21	68,00	63,91	12	0,37	QCD06B2-021
22	71,00	66,93	12	0,41	QCD06B2-022
23	73,50	69,95	12	0,45	QCD06B2-023
24	77,00	72,97	12	0,49	QCD06B2-024
25	80,00	76,02	12	0,53	QCD06B2-025
26	83,00	79,02	12	0,58	QCD06B2-026
27	86,00	82,02	12	0,62	QCD06B2-027
28	89,00	85,07	12	0,67	QCD06B2-028
29	92,00	88,09	12	0,72	QCD06B2-029
30	94,70	91,12	12	0,77	QCD06B2-030
31	98,30	94,15	14	0,82	QCD06B2-031
32	101,30	97,17	14	0,88	QCD06B2-032
33	104,30	100,20	14	0,94	QCD06B2-033
34	107,30	103,23	14	0,99	QCD06B2-034
35	110,40	106,26	14	1,06	QCD06B2-035
36	113,40	109,29	14	1,12	QCD06B2-036
37	116,40	112,32	14	1,18	QCD06B2-037
38	119,50	115,35	14	1,25	QCD06B2-038
39	122,50	118,37	14	1,32	QCD06B2-039
40	125,50	121,40	14	1,38	QCD06B2-040
41	128,50	124,43	16	1,45	QCD06B2-041
42	131,60	127,46	16	1,52	QCD06B2-042
43	134,60	130,49	16	1,60	QCD06B2-043
44	137,60	133,52	16	1,67	QCD06B2-044
45	140,70	136,55	16	1,75	QCD06B2-045
46	143,70	139,58	16	1,83	QCD06B2-046
47	146,70	142,61	16	1,91	QCD06B2-047

Z	De [mm]	Dp [mm]	d2 [mm]	W [kg]	Part number
48	149,70	145,64	16	2,00	QCD06B2-048
49	152,70	148,66	16	2,10	QCD06B2-049
50	155,70	151,69	16	2,17	QCD06B2-050
51	158,70	154,72	16	2,26	QCD06B2-051
52	161,80	157,75	16	2,35	QCD06B2-052
53	164,80	160,78	16	2,44	QCD06B2-053
54	167,80	163,82	16	2,54	QCD06B2-054
55	170,80	166,85	16	2,63	QCD06B2-055
56	173,80	169,88	16	2,73	QCD06B2-056
57	176,90	172,91	16	2,83	QCD06B2-057
58	179,90	175,93	16	2,93	QCD06B2-058
59	183,00	178,96	16	3,03	QCD06B2-059
60	186,00	181,99	16	3,14	QCD06B2-060
62	192,10	188,06	20	3,34	QCD06B2-062
64	198,20	194,12	20	3,56	QCD06B2-064
65	201,60	197,15	20	3,67	QCD06B2-065
66	204,60	200,18	20	3,79	QCD06B2-066
68	210,70	206,24	20	4,02	QCD06B2-068
70	216,70	212,30	20	4,26	QCD06B2-070
72	222,80	218,37	20	4,51	QCD06B2-072
75	231,90	227,46	20	4,90	QCD06B2-075
76	234,90	230,49	20	5,03	QCD06B2-076
78	241,00	236,55	20	5,30	QCD06B2-078
80	247,10	242,61	20	5,58	QCD06B2-080
85	262,20	257,77	20	6,31	QCD06B2-085
90	277,40	272,93	20	7,07	QCD06B2-090
95	292,50	288,08	20	7,89	QCD06B2-095
100	307,70	303,25	20	8,75	QCD06B2-100
110	338,00	333,55	20	10,60	QCD06B2-110
114	349,50	345,68	20	11,37	QCD06B2-114
120	368,30	363,86	20	12,61	QCD06B2-120
125	383,50	379,02	20	13,69	QCD06B2-125

Material: C45 (Fe360B with $Z \geq 41$)

D_e External diameter mm
 D_p Pitch diameter mm
 W Weight kg

Duplex Plate Wheel

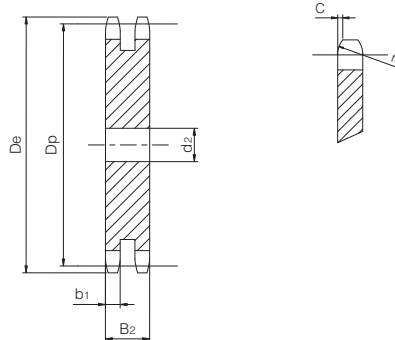
for chain according to DIN 8187 - ISO/R 606

ISO 08B-2

Pitch 1/2" x 5/16"



PLATE WHEEL	[mm]
Tooth radius r_3	13
Radius width C	1,3
Tooth width b_1	7
Tooth width B_2	21
CHAIN	[mm]
Pitch	12,7
Internal width	7,75
Roller \varnothing	8,51



Z	De [mm]	Dp [mm]	d2 [mm]	W [kg]	Part number
8	37,00	33,18	10	0,13	QCD08B2-008
9	41,00	37,13	10	0,16	QCD08B2-009
10	45,20	41,10	10	0,20	QCD08B2-010
11	48,70	45,07	10	0,25	QCD08B2-011
12	53,00	49,07	10	0,30	QCD08B2-012
13	57,40	53,06	10	0,35	QCD08B2-013
14	61,80	57,07	10	0,41	QCD08B2-014
15	65,50	61,09	10	0,47	QCD08B2-015
16	69,50	65,10	12	0,53	QCD08B2-016
17	73,60	69,11	12	0,60	QCD08B2-017
18	77,80	73,14	12	0,67	QCD08B2-018
19	81,70	77,16	12	0,75	QCD08B2-019
20	85,80	81,19	12	0,84	QCD08B2-020
21	89,70	85,22	16	0,91	QCD08B2-021
22	93,80	89,24	16	1,00	QCD08B2-022
23	98,20	93,27	16	1,10	QCD08B2-023
24	101,80	97,29	16	1,20	QCD08B2-024
25	105,80	101,33	16	1,30	QCD08B2-025
26	110,00	105,36	16	1,41	QCD08B2-026
27	114,00	109,40	16	1,52	QCD08B2-027
28	118,00	113,42	16	1,64	QCD08B2-028
29	122,00	117,46	16	1,76	QCD08B2-029
30	126,10	121,50	16	1,89	QCD08B2-030
31	130,20	125,54	16	2,02	QCD08B2-031
32	134,30	129,56	16	2,15	QCD08B2-032
33	138,40	133,60	16	2,29	QCD08B2-033
34	142,60	137,64	16	2,43	QCD08B2-034
35	146,70	141,68	16	2,58	QCD08B2-035
36	151,00	145,72	20	2,71	QCD08B2-036
37	154,60	149,76	20	2,87	QCD08B2-037
38	158,60	153,80	20	3,03	QCD08B2-038
39	162,70	157,83	20	3,19	QCD08B2-039
40	166,80	161,87	20	3,36	QCD08B2-040
41	171,40	165,91	20	3,53	QCD08B2-041
42	175,40	169,94	20	3,71	QCD08B2-042
43	179,70	173,98	20	3,89	QCD08B2-043
44	183,80	178,03	20	4,07	QCD08B2-044
45	188,00	182,07	20	4,26	QCD08B2-045
46	192,10	186,10	20	4,46	QCD08B2-046
47	196,20	190,14	20	4,65	QCD08B2-047

Z	De [mm]	Dp [mm]	d2 [mm]	W [kg]	Part number
48	200,30	194,18	20	4,86	QCD08B2-048
49	204,30	198,22	20	5,06	QCD08B2-049
50	208,30	202,26	20	5,27	QCD08B2-050
51	212,10	206,30	25	5,46	QCD08B2-051
52	216,10	210,34	25	5,68	QCD08B2-052
53	220,20	214,37	25	5,90	QCD08B2-053
54	224,10	218,43	25	6,13	QCD08B2-054
55	228,10	222,46	25	6,36	QCD08B2-055
56	232,20	226,50	25	6,60	QCD08B2-056
57	236,40	230,54	25	6,84	QCD08B2-057
58	240,50	234,58	25	7,08	QCD08B2-058
59	244,50	238,62	25	7,33	QCD08B2-059
60	248,60	242,66	25	7,59	QCD08B2-060
62	256,90	250,74	25	8,11	QCD08B2-062
64	265,10	258,80	25	8,64	QCD08B2-064
65	269,00	262,86	25	8,92	QCD08B2-065
66	273,00	266,91	25	9,20	QCD08B2-066
68	281,00	274,99	25	9,77	QCD08B2-068
70	289,00	283,07	25	10,35	QCD08B2-070
72	297,20	291,15	25	10,96	QCD08B2-072
75	309,20	303,28	25	11,90	QCD08B2-075
76	313,30	307,32	25	12,22	QCD08B2-076
78	321,40	315,40	25	12,88	QCD08B2-078
80	329,40	323,49	25	13,55	QCD08B2-080
85	349,00	343,69	25	15,30	QCD08B2-085
90	369,90	363,90	25	17,17	QCD08B2-090
95	390,10	384,11	25	19,14	QCD08B2-095
100	410,30	404,32	25	21,21	QCD08B2-100
110	450,70	444,74	25	25,69	QCD08B2-110
114	466,90	460,91	25	27,59	QCD08B2-114
120	491,20	485,16	25	30,58	QCD08B2-120
125	511,30	505,37	25	33,19	QCD08B2-125

Material: C45 (Fe360B with Z ≥ 41)

De External diameter mm
 Dp Pitch diameter mm
 W Weight kg

Duplex Plate Wheel

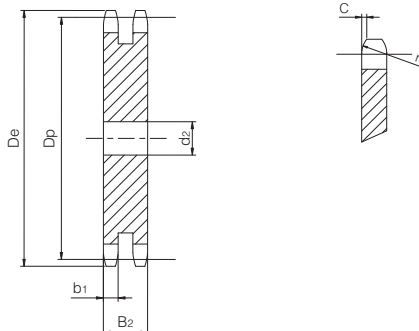
for chain according to DIN 8187 - ISO/R 606

ISO 10B-2

Pitch 5/8" x 3/8"



PLATE WHEEL	[mm]
Tooth radius r_3	16
Radius width C	1,6
Tooth width b_1	9
Tooth width B_2	25,5
CHAIN	[mm]
Pitch	15,875
Internal width	9,65
Roller \varnothing	10,16



Z	De [mm]	Dp [mm]	d2 [mm]	W [kg]	Part number
8	47,00	41,48	10	0,25	QCD10B2-008
9	52,60	46,42	10	0,32	QCD10B2-009
10	57,50	51,37	10	0,40	QCD10B2-010
11	63,00	56,34	10	0,48	QCD10B2-011
12	68,00	61,34	10	0,57	QCD10B2-012
13	73,00	66,32	10	0,68	QCD10B2-013
14	78,00	71,34	10	0,78	QCD10B2-014
15	83,00	76,36	12	0,89	QCD10B2-015
16	88,00	81,37	12	1,02	QCD10B2-016
17	93,00	86,39	12	1,15	QCD10B2-017
18	98,30	91,42	12	1,29	QCD10B2-018
19	103,30	96,45	12	1,44	QCD10B2-019
20	108,40	101,49	12	1,60	QCD10B2-020
21	113,40	106,52	16	1,75	QCD10B2-021
22	118,00	111,55	16	1,92	QCD10B2-022
23	123,50	116,58	16	2,10	QCD10B2-023
24	128,30	121,62	16	2,29	QCD10B2-024
25	134,00	126,66	16	2,49	QCD10B2-025
26	139,00	131,70	16	2,70	QCD10B2-026
27	144,00	136,75	16	2,91	QCD10B2-027
28	148,70	141,78	16	3,13	QCD10B2-028
29	153,80	146,83	16	3,37	QCD10B2-029
30	158,80	151,87	16	3,60	QCD10B2-030
31	163,90	156,92	20	3,83	QCD10B2-031
32	168,90	161,95	20	4,08	QCD10B2-032
33	174,50	167,00	20	4,34	QCD10B2-033
34	179,00	172,05	20	4,62	QCD10B2-034
35	184,10	177,10	20	4,90	QCD10B2-035
36	189,10	182,15	20	5,18	QCD10B2-036
37	194,20	187,20	20	5,48	QCD10B2-037
38	199,20	192,24	20	5,78	QCD10B2-038
39	204,20	197,29	20	6,09	QCD10B2-039
40	209,30	202,34	20	6,41	QCD10B2-040
41	214,80	207,38	20	6,74	QCD10B2-041
42	219,90	212,43	20	7,07	QCD10B2-042
43	224,90	217,48	20	7,42	QCD10B2-043
44	230,00	222,53	20	7,77	QCD10B2-044
45	235,00	227,58	20	8,13	QCD10B2-045
46	240,10	232,63	25	8,46	QCD10B2-046
47	245,10	237,68	25	8,84	QCD10B2-047

Z	De [mm]	Dp [mm]	d2 [mm]	W [kg]	Part number
48	250,20	242,73	25	9,22	QCD10B2-048
49	255,20	247,78	25	9,61	QCD10B2-049
50	260,30	252,82	25	10,01	QCD10B2-050
51	265,30	257,87	25	10,42	QCD10B2-051
52	270,40	262,92	25	10,83	QCD10B2-052
53	275,40	267,97	25	11,26	QCD10B2-053
54	280,50	273,03	25	11,69	QCD10B2-054
55	285,50	278,08	25	12,13	QCD10B2-055
56	290,60	283,13	25	12,58	QCD10B2-056
57	296,00	288,18	25	13,04	QCD10B2-057
58	300,70	293,23	25	13,50	QCD10B2-058
59	305,70	298,28	25	13,97	QCD10B2-059
60	310,80	303,33	25	14,45	QCD10B2-060
62	321,40	313,43	25	15,44	QCD10B2-062
64	331,50	323,53	25	16,46	QCD10B2-064
65	336,50	328,58	25	16,98	QCD10B2-065
66	341,60	333,64	25	17,51	QCD10B2-066
68	351,70	343,74	25	18,59	QCD10B2-068
70	361,80	353,84	25	19,71	QCD10B2-070
72	371,90	363,94	25	20,85	QCD10B2-072
75	387,10	379,10	25	22,63	QCD10B2-075
76	392,10	384,15	25	23,24	QCD10B2-076
78	402,20	394,25	25	24,49	QCD10B2-078
80	412,30	404,36	25	25,77	QCD10B2-080
85	437,60	429,62	30	29,06	QCD10B2-085
90	462,80	454,88	30	32,59	QCD10B2-090
95	488,50	480,14	30	36,33	QCD10B2-095
100	513,40	505,40	30	40,27	QCD10B2-100
110	563,90	555,92	30	48,75	QCD10B2-110
114	584,10	576,13	30	52,37	QCD10B2-114
120	614,40	606,45	30	58,04	QCD10B2-120
125	639,70	631,51	30	62,95	QCD10B2-125

Material: C45 (Fe360B with Z ≥ 41)

De External diameter mm
 Dp Pitch diameter mm
 W Weight kg

Duplex Plate Wheel

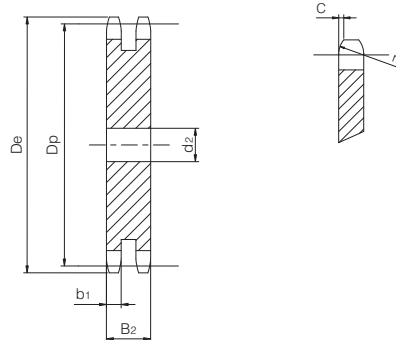
Duplex Plate Wheel

for chain according to DIN 8187 - ISO/R 606

ISO 12B-2 Pitch 3/4" x 7/16"



PLATE WHEEL	[mm]
Tooth radius r_3	19
Radius width C	2
Tooth width b_1	10,8
Tooth width B_2	30,3
CHAIN	[mm]
Pitch	19,05
Internal width	11,68
Roller ϕ	12,07



Z	D_e [mm]	D_p [mm]	d_2 [mm]	W [kg]	Part number
8	57,30	49,78	12	0,43	QCD12B2-008
9	62,00	55,70	12	0,55	QCD12B2-009
10	69,00	61,64	12	0,68	QCD12B2-010
11	75,00	67,61	14	0,82	QCD12B2-011
12	81,50	73,60	14	0,98	QCD12B2-012
13	87,50	79,59	14	1,15	QCD12B2-013
14	93,60	85,61	14	1,34	QCD12B2-014
15	99,80	91,63	14	1,54	QCD12B2-015
16	105,50	97,65	16	1,74	QCD12B2-016
17	111,50	103,67	16	1,97	QCD12B2-017
18	118,00	109,71	16	2,21	QCD12B2-018
19	124,20	115,75	16	2,47	QCD12B2-019
20	129,70	121,78	16	2,74	QCD12B2-020
21	136,00	127,82	16	3,02	QCD12B2-021
22	141,00	133,86	16	3,32	QCD12B2-022
23	149,00	139,90	16	3,63	QCD12B2-023
24	153,90	145,94	16	3,95	QCD12B2-024
25	160,00	152,00	16	4,29	QCD12B2-025
26	165,90	158,04	20	4,62	QCD12B2-026
27	172,30	164,09	20	4,98	QCD12B2-027
28	178,00	170,13	20	5,36	QCD12B2-028
29	184,10	176,19	20	5,76	QCD12B2-029
30	190,50	182,25	20	6,16	QCD12B2-030
31	196,30	188,31	20	6,59	QCD12B2-031
32	203,30	194,35	20	7,02	QCD12B2-032
33	209,30	200,40	20	7,47	QCD12B2-033
34	214,60	206,46	20	7,93	QCD12B2-034
35	221,00	212,52	20	8,41	QCD12B2-035
36	226,80	218,58	25	8,86	QCD12B2-036
37	232,90	224,64	25	9,36	QCD12B2-037
38	239,00	230,69	25	9,88	QCD12B2-038
39	245,10	236,75	25	10,42	QCD12B2-039
40	251,30	242,81	25	10,96	QCD12B2-040
41	257,30	248,86	25	11,52	QCD12B2-041
42	264,50	254,92	25	12,09	QCD12B2-042
43	270,50	260,98	25	12,68	QCD12B2-043
44	276,50	267,03	25	13,28	QCD12B2-044
45	282,50	273,09	25	13,90	QCD12B2-045
46	287,90	279,15	25	14,53	QCD12B2-046
47	294,00	285,21	25	15,17	QCD12B2-047

Z	D_e [mm]	D_p [mm]	d_2 [mm]	W [kg]	Part number
48	300,10	291,27	25	15,83	QCD12B2-048
49	306,20	297,33	25	16,50	QCD12B2-049
50	312,30	303,39	25	17,18	QCD12B2-050
51	318,40	309,45	25	17,88	QCD12B2-051
52	324,50	315,51	25	18,59	QCD12B2-052
53	330,50	321,57	25	19,32	QCD12B2-053
54	336,60	327,63	25	20,06	QCD12B2-054
55	342,70	333,69	25	20,81	QCD12B2-055
56	348,70	339,75	25	21,58	QCD12B2-056
57	355,40	345,81	25	22,36	QCD12B2-057
58	361,50	351,87	25	23,15	QCD12B2-058
59	367,50	357,93	25	23,96	QCD12B2-059
60	373,00	363,99	25	24,79	QCD12B2-060
62	385,10	376,12	30	26,42	QCD12B2-062
64	397,20	388,24	30	28,16	QCD12B2-064
65	403,20	394,30	30	29,05	QCD12B2-065
66	409,30	400,36	30	29,96	QCD12B2-066
68	421,40	412,49	30	31,81	QCD12B2-068
70	433,60	424,61	30	33,72	QCD12B2-070
72	447,00	436,73	30	35,68	QCD12B2-072
75	463,90	454,92	30	38,73	QCD12B2-075
76	469,90	460,98	30	39,78	QCD12B2-076
78	482,10	473,10	30	41,90	QCD12B2-078
80	494,20	485,23	30	44,09	QCD12B2-080
85	524,50	515,54	30	49,79	QCD12B2-085
90	554,80	545,85	30	55,84	QCD12B2-090
95	585,10	576,17	30	62,24	QCD12B2-095
100	615,40	606,48	30	68,98	QCD12B2-100
110	676,10	667,11	30	83,49	QCD12B2-110
114	700,60	691,36	30	89,69	QCD12B2-114
120	736,70	727,74	30	99,39	QCD12B2-120
125	767,00	758,06	30	107,86	QCD12B2-125

Material: C45 (Fe360B with $Z \geq 41$)

D_e External diameter mm
 D_p Pitch diameter mm
W Weight kg

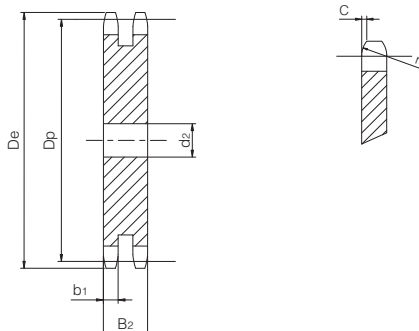
Duplex Plate Wheel

for chain according to DIN 8187 - ISO/R 606



ISO 16B-2 Pitch 1" x 17,02 mm

PLATE WHEEL	[mm]
Tooth radius r_3	26
Radius width C	2,5
Tooth width b_1	15,8
Tooth width B_2	47,7
CHAIN	[mm]
Pitch	25,4
Internal width	17,02
Roller ϕ	15,88



Z	De [mm]	Dp [mm]	d2 [mm]	W [kg]	Part number
8	77,00	66,37	16	1,22	QCD16B2-008
9	85,00	74,27	16	1,55	QCD16B2-009
10	93,00	82,19	16	1,92	QCD16B2-010
11	101,50	90,14	20	2,28	QCD16B2-011
12	109,00	98,14	20	2,73	QCD16B2-012
13	117,00	106,12	20	3,21	QCD16B2-013
14	125,00	114,15	20	3,73	QCD16B2-014
15	133,00	122,17	20	4,29	QCD16B2-015
16	141,00	130,20	20	4,89	QCD16B2-016
17	149,00	138,22	20	5,53	QCD16B2-017
18	157,00	146,28	20	6,21	QCD16B2-018
19	165,20	154,33	20	6,93	QCD16B2-019
20	173,20	162,38	20	7,68	QCD16B2-020
21	181,20	170,43	25	8,41	QCD16B2-021
22	189,30	178,48	25	9,24	QCD16B2-022
23	197,50	186,53	25	10,11	QCD16B2-023
24	205,50	194,59	25	11,02	QCD16B2-024
25	213,50	202,66	25	11,97	QCD16B2-025
26	221,60	210,72	25	12,95	QCD16B2-026
27	229,60	218,79	25	13,98	QCD16B2-027
28	237,70	226,85	25	15,04	QCD16B2-028
29	245,80	234,92	25	16,14	QCD16B2-029
30	254,00	243,00	25	17,29	QCD16B2-030
31	262,00	251,08	25	18,47	QCD16B2-031
32	270,00	259,13	25	19,68	QCD16B2-032
33	278,50	267,21	25	20,94	QCD16B2-033
34	287,00	275,28	25	22,24	QCD16B2-034
35	296,20	283,36	25	23,57	QCD16B2-035
36	304,60	291,44	25	24,95	QCD16B2-036
37	312,60	299,51	25	26,36	QCD16B2-037
38	320,70	307,59	25	27,81	QCD16B2-038
39	328,80	315,67	25	29,30	QCD16B2-039
40	336,90	323,75	25	30,83	QCD16B2-040
42	353,00	339,89	25	34,00	QCD16B2-042
43	361,10	347,97	25	35,65	QCD16B2-043
44	369,10	356,05	25	37,33	QCD16B2-044
45	377,10	364,12	25	39,05	QCD16B2-045
46	385,20	372,20	25	40,81	QCD16B2-046
48	401,30	388,36	25	44,45	QCD16B2-048
50	417,40	404,52	25	48,24	QCD16B2-050

Z	De [mm]	Dp [mm]	d2 [mm]	W [kg]	Part number
51	425,50	412,60	30	50,11	QCD16B2-051
52	433,60	420,68	30	52,11	QCD16B2-052
55	457,90	444,92	30	58,32	QCD16B2-055
56	466,00	453,01	30	60,47	QCD16B2-056
57	474,00	461,08	30	62,65	QCD16B2-057
60	498,30	485,33	30	69,44	QCD16B2-060
62	514,50	501,49	30	74,16	QCD16B2-062
65	538,80	525,73	30	81,53	QCD16B2-065
68	562,90	549,98	30	89,25	QCD16B2-068
70	579,20	566,15	30	94,59	QCD16B2-070
72	595,40	582,31	30	100,08	QCD16B2-072
75	619,70	606,56	30	108,62	QCD16B2-075
76	627,00	614,64	30	111,54	QCD16B2-076
80	660,00	646,97	30	123,61	QCD16B2-080
85	699,90	687,39	30	139,57	QCD16B2-085
90	740,30	727,80	30	156,50	QCD16B2-090
95	781,10	768,22	30	174,39	QCD16B2-095
100	821,10	808,64	30	193,26	QCD16B2-100
110	902,00	889,48	30	233,89	QCD16B2-110
114	934,30	921,81	40	251,01	QCD16B2-114
120	982,80	970,32	40	278,18	QCD16B2-120
125	1023,30	1010,73	40	301,87	QCD16B2-125

Material: C45 (Fe360B with Z ≥ 22)

De External diameter mm
 Dp Pitch diameter mm
 W Weight kg

Duplex Plate Wheel

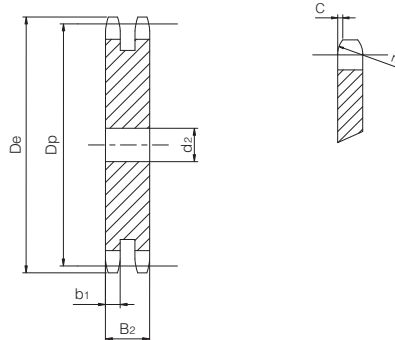
for chain according to DIN 8187 - ISO/R 606

ISO 20B-2

Pitch 1" 1/4 x 3/4"



PLATE WHEEL	[mm]
Tooth radius r_3	32
Radius width C	3,5
Tooth width b_1	18,2
Tooth width B_2	54,6
CHAIN	[mm]
Pitch	31,75
Internal width	19,56
Roller \varnothing	19,05



Z	De [mm]	Dp [mm]	d2 [mm]	W [kg]	Part number
8	98,10	82,96	20	2,19	QCD20B2-008
9	108,00	92,84	20	2,78	QCD20B2-009
10	117,90	102,74	20	3,44	QCD20B2-010
11	127,80	112,68	20	4,16	QCD20B2-011
12	137,80	122,68	20	4,96	QCD20B2-012
13	147,80	132,65	20	5,82	QCD20B2-013
14	157,80	142,68	20	6,76	QCD20B2-014
15	167,90	152,72	20	7,76	QCD20B2-015
16	177,90	162,75	25	8,76	QCD20B2-016
17	187,90	172,78	25	9,90	QCD20B2-017
18	198,00	182,85	25	11,11	QCD20B2-018
19	208,10	192,91	25	12,39	QCD20B2-019
20	218,10	202,98	25	13,74	QCD20B2-020
21	228,20	213,04	25	15,16	QCD20B2-021
22	238,30	223,11	25	16,65	QCD20B2-022
23	248,30	233,17	25	18,206	QCD20B2-023
24	258,40	243,23	25	19,83	QCD20B2-024
25	268,50	253,33	25	21,52	QCD20B2-025
26	278,60	263,40	25	23,29	QCD20B2-026
27	288,60	273,49	25	25,12	QCD20B2-027
28	298,70	283,56	25	27,02	QCD20B2-028
29	308,80	293,65	25	29,00	QCD20B2-029
30	318,90	303,75	25	31,04	QCD20B2-030
31	329,00	313,85	25	33,15	QCD20B2-031
32	339,10	323,91	25	35,33	QCD20B2-032
33	349,20	334,01	25	37,58	QCD20B2-033
34	359,30	344,10	25	39,90	QCD20B2-034
35	369,40	354,20	25	42,29	QCD20B2-035
36	379,50	364,30	30	44,65	QCD20B2-036
37	389,50	374,39	30	47,18	QCD20B2-037
38	399,60	384,49	30	49,77	QCD20B2-038
39	409,70	394,59	30	52,44	QCD20B2-039
40	419,80	404,69	30	55,17	QCD20B2-040
42	440,00	424,86	30	60,84	QCD20B2-042
45	470,30	455,17	30	69,88	QCD20B2-045
46	480,40	465,25	30	73,02	QCD20B2-046
48	500,60	485,45	30	79,53	QCD20B2-048
50	520,80	505,65	30	86,31	QCD20B2-050
52	541,00	525,85	30	93,37	QCD20B2-052
55	571,30	556,15	30	104,47	QCD20B2-055

Z	De [mm]	Dp [mm]	d2 [mm]	W [kg]	Part number
57	591,50	576,35	30	112,22	QCD20B2-057
60	621,80	606,66	30	124,37	QCD20B2-060
65	672,30	657,17	30	146,00	QCD20B2-065
70	722,80	707,68	30	169,35	QCD20B2-070
76	783,50	768,32	30	199,67	QCD20B2-076
80	823,90	808,71	30	221,25	QCD20B2-080
95	975,20	960,28	30	312,09	QCD20B2-095
114	1167,40	1152,26	40	449,24	QCD20B2-114

Material: C45 (Fe360B with Z ≥ 18)

De External diameter mm
 Dp Pitch diameter mm
 W Weight kg

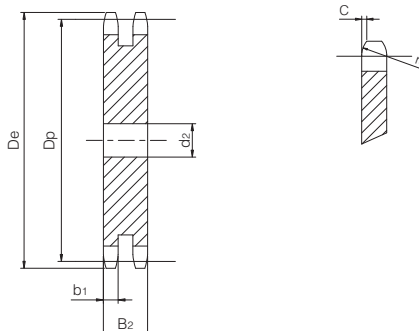
Duplex Plate Wheel

for chain according to DIN 8187 - ISO/R 606



ISO 24B-2 Pitch 1" 1/2 x 1"

PLATE WHEEL	[mm]
Tooth radius r_3	38
Radius width C	4
Tooth width b_1	23,6
Tooth width B_2	72
CHAIN	[mm]
Pitch	38,1
Internal width	25,4
Roller \varnothing	25,4



Z	De [mm]	Dp [mm]	d ₂ [mm]	W [kg]	Part number
8	115,00	99,55	25	4,14	QCD24B2-008
9	126,40	111,40	25	5,26	QCD24B2-009
10	138,00	123,29	25	6,51	QCD24B2-010
11	150,00	135,21	25	7,88	QCD24B2-011
12	162,00	147,22	25	9,40	QCD24B2-012
13	174,20	159,18	25	11,04	QCD24B2-013
14	186,20	171,22	25	12,81	QCD24B2-014
15	198,20	183,26	25	14,72	QCD24B2-015
16	210,30	195,30	25	16,76	QCD24B2-016
17	222,30	207,34	25	18,92	QCD24B2-017
18	234,30	219,42	25	21,22	QCD24B2-018
19	246,50	231,49	25	23,66	QCD24B2-019
20	258,60	243,57	25	26,22	QCD24B2-020
21	270,60	255,65	25	28,91	QCD24B2-021
22	282,70	267,73	25	31,74	QCD24B2-022
23	294,80	279,80	25	34,69	QCD24B2-023
24	306,80	291,88	25	37,77	QCD24B2-024
25	319,00	304,00	25	41,00	QCD24B2-025
26	331,00	316,08	30	44,22	QCD24B2-026
27	343,20	328,19	30	47,71	QCD24B2-027
28	355,20	340,27	30	51,32	QCD24B2-028
29	367,30	352,38	30	55,06	QCD24B2-029
30	379,50	364,50	30	58,95	QCD24B2-030
31	391,60	376,62	30	62,96	QCD24B2-031
32	403,70	388,69	30	67,09	QCD24B2-032
33	415,80	400,81	30	71,36	QCD24B2-033
34	427,80	412,93	30	75,77	QCD24B2-034
35	440,00	425,04	30	80,30	QCD24B2-035
36	452,00	437,16	30	84,97	QCD24B2-036
37	464,20	449,27	30	89,76	QCD24B2-037
38	476,20	461,39	30	94,69	QCD24B2-038
39	488,50	473,50	30	99,75	QCD24B2-039
40	500,60	485,62	30	104,94	QCD24B2-040
42	524,70	509,83	40	115,40	QCD24B2-042
45	561,20	546,19	40	132,55	QCD24B2-045
46	573,30	558,30	40	138,53	QCD24B2-046
48	597,40	582,54	40	150,88	QCD24B2-048
50	621,70	606,78	40	163,76	QCD24B2-050
55	682,30	667,40	40	198,27	QCD24B2-055
57	706,50	691,63	40	212,98	QCD24B2-057

Z	De [mm]	Dp [mm]	d ₂ [mm]	W [kg]	Part number
60	742,80	727,97	40	236,02	QCD24B2-060
65	803,40	788,59	40	277,09	QCD24B2-065
76	936,90	921,98	40	379,03	QCD24B2-076

Material: C45 (Fe360B with Z ≥ 16)

D_e External diameter mm
 D_p Pitch diameter mm
 W Weight kg

Duplex Plate Wheel

Duplex Plate Wheel

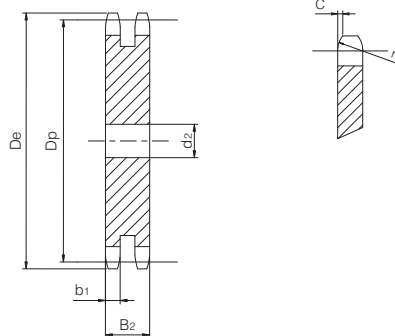
for chain according to DIN 8187 - ISO/R 606

ISO 28B-2

1" 3/4 x 1" 1/4



PLATE WHEEL	[mm]
Tooth radius r_3	44
Radius width C	5
Tooth width b_1	28,8
Tooth width B_2	88,4
CHAIN	[mm]
Pitch	44,45
Internal width	30,99
Roller \varnothing	27,94



Z	D_e [mm]	D_p [mm]	d_2 [mm]	W [kg]	Part number
8	132,00	116,15	25	7,05	QCD28B2-008
9	148,40	129,96	25	8,92	QCD28B2-009
10	162,30	143,85	25	11,00	QCD28B2-010
11	176,30	157,77	25	13,30	QCD28B2-011
12	189,50	171,74	25	15,83	QCD28B2-012
13	204,20	185,74	25	18,57	QCD28B2-013
14	218,20	199,76	25	21,54	QCD28B2-014
15	232,30	213,79	25	24,72	QCD28B2-015
16	246,30	227,84	30	27,97	QCD28B2-016
17	260,00	241,91	30	31,60	QCD28B2-017
18	274,00	255,98	30	35,44	QCD28B2-018
19	289,00	270,06	30	39,50	QCD28B2-019
20	303,00	284,15	30	43,79	QCD28B2-020
21	317,00	298,24	30	48,29	QCD28B2-021
22	331,00	312,34	30	53,01	QCD28B2-022
23	345,00	326,44	30	57,95	QCD28B2-023
24	359,00	340,55	30	63,11	QCD28B2-024
25	373,00	354,66	30	68,49	QCD28B2-025
26	387,00	368,77	30	74,09	QCD28B2-026
27	401,40	382,88	30	79,91	QCD28B2-027
28	416,00	397,00	30	85,95	QCD28B2-028
29	430,00	411,12	30	92,21	QCD28B2-029
30	444,00	425,24	30	98,68	QCD28B2-030
31	458,00	439,37	30	105,39	QCD28B2-031
32	472,00	453,49	30	112,30	QCD28B2-032
33	486,00	467,62	30	119,44	QCD28B2-033
34	500,00	481,75	30	126,80	QCD28B2-034
35	514,00	495,88	30	134,37	QCD28B2-035
36	529,00	510,01	30	142,17	QCD28B2-036
37	543,00	524,14	30	150,18	QCD28B2-037
38	557,00	538,27	30	158,42	QCD28B2-038
39	571,00	552,40	30	166,87	QCD28B2-039
40	585,00	566,54	30	175,55	QCD28B2-040
45	656,00	637,22	30	222,22	QCD28B2-045
50	726,00	707,91	30	274,37	QCD28B2-050
57	825,00	806,89	40	356,22	QCD28B2-057
60	869,00	849,32	40	394,77	QCD28B2-060
76	1095,00	1075,60	40	633,67	QCD28B2-076

Material: C45 (Fe360B with $Z \geq 13$)

D_e External diameter mm
 D_p Pitch diameter mm
W Weight kg

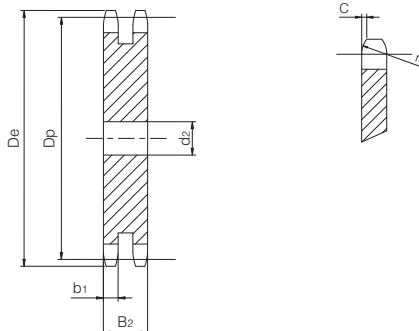
Duplex Plate Wheel

for chain according to DIN 8187 - ISO/R 606



ISO 32B-2 Pitch 2" x 1" 1/4

PLATE WHEEL	[mm]
Tooth radius r_3	51
Radius width C	6
Tooth width b_1	28,8
Tooth width B_2	87,4
CHAIN	[mm]
Pitch	50,8
Internal width	30,99
Roller \varnothing	29,21



Z	De [mm]	Dp [mm]	d2 [mm]	W [kg]	Part number
9	169,00	148,54	25	11,6261	QCD32B2-009
10	185,00	164,44	25	14,3248	QCD32B2-010
11	200,80	180,34	30	17,1484	QCD32B2-011
12	216,80	196,29	30	20,4061	QCD32B2-012
13	232,80	212,29	30	23,9512	QCD32B2-013
14	248,80	228,29	30	27,7739	QCD32B2-014
15	264,80	244,30	30	31,8769	QCD32B2-015
16	280,90	260,40	30	36,2834	QCD32B2-016
17	296,90	276,40	30	40,9409	QCD32B2-017
18	313,00	292,55	30	45,9238	QCD32B2-018
19	329,10	308,66	30	51,1761	QCD32B2-019
20	345,20	324,71	30	56,6887	QCD32B2-020
21	361,30	340,82	30	62,5029	QCD32B2-021
22	377,50	356,98	30	68,6180	QCD32B2-022
23	393,60	373,08	30	74,9920	QCD32B2-023
24	409,70	389,18	30	81,6472	QCD32B2-024
25	425,80	405,33	30	88,6054	QCD32B2-025
26	441,90	421,44	30	95,8283	QCD32B2-026
27	458,10	437,59	30	103,3516	QCD32B2-027
28	474,20	453,69	30	111,1332	QCD32B2-028
30	506,50	486,00	30	127,5977	QCD32B2-030
35	589,50	566,72	30	173,6788	QCD32B2-035
38	635,50	615,14	30	204,7115	QCD32B2-038
40	670,30	647,49	40	226,4821	QCD32B2-040
45	751,00	728,25	40	286,7327	QCD32B2-045
50	831,80	809,04	40	354,0833	QCD32B2-050
57	945,00	922,16	40	460,2810	QCD32B2-057
60	993,40	970,65	40	510,0533	QCD32B2-060
76	1252,00	1229,30	40	818,6233	QCD32B2-076

Material: C45 (Fe360B with Z ≥ 12)

D_e External diameter mm
 D_p Pitch diameter mm
 W Weight kg

Duplex Plate Wheel

TRIPLEX PLATE WHEELS

Tripdex Plate Wheel

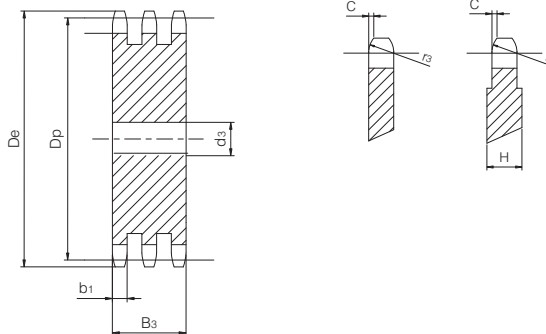
for chain according to DIN 8187 - ISO/R 606



ISO 06B-3

Pitch 3/8" x 7/32"

PLATE WHEEL	[mm]
Tooth radius r_3	10
Radius width C	1
Tooth width b_1	5,2
Tooth width B_3	25,6
Width H (with $Z \geq 100$)	7
CHAIN	[mm]
Pitch	9,525
Internal width	5,72
Roller ϕ	6,35



Z	De [mm]	Dp [mm]	d3 [mm]	W [kg]	Part number
8	28,00	24,89	8	0,09	QCT06B3-008
9	31,00	27,85	8	0,11	QCT06B3-009
10	34,00	30,82	10	0,13	QCT06B3-010
11	37,00	33,80	10	0,16	QCT06B3-011
12	40,00	36,80	10	0,19	QCT06B3-012
13	43,00	39,79	10	0,23	QCT06B3-013
14	46,30	42,80	12	0,26	QCT06B3-014
15	49,30	45,81	12	0,31	QCT06B3-015
16	52,30	48,82	12	0,35	QCT06B3-016
17	55,30	51,83	12	0,40	QCT06B3-017
18	58,30	54,85	12	0,45	QCT06B3-018
19	61,30	57,87	12	0,50	QCT06B3-019
20	64,30	60,89	12	0,56	QCT06B3-020
21	68,00	63,91	14	0,61	QCT06B3-021
22	71,00	66,93	14	0,68	QCT06B3-022
23	73,50	69,95	14	0,74	QCT06B3-023
24	77,00	72,97	14	0,81	QCT06B3-024
25	80,00	76,02	14	0,88	QCT06B3-025
26	83,00	79,02	14	0,96	QCT06B3-026
27	86,00	82,02	14	1,03	QCT06B3-027
28	89,00	85,07	14	1,11	QCT06B3-028
29	92,00	88,09	14	1,20	QCT06B3-029
30	94,70	91,12	14	1,28	QCT06B3-030
31	98,30	94,15	16	1,36	QCT06B3-031
32	101,30	97,17	16	1,45	QCT06B3-032
33	104,30	100,20	16	1,55	QCT06B3-033
34	107,30	103,23	16	1,65	QCT06B3-034
35	110,40	106,26	16	1,75	QCT06B3-035
36	113,40	109,29	16	1,85	QCT06B3-036
37	116,40	112,32	16	1,96	QCT06B3-037
38	119,50	115,35	16	2,07	QCT06B3-038
39	122,50	118,37	16	2,18	QCT06B3-039
40	125,50	121,40	16	2,30	QCT06B3-040
41	128,50	124,43	16	2,41	QCT06B3-041
42	131,60	127,46	16	2,53	QCT06B3-042
43	134,60	130,49	16	2,66	QCT06B3-043
44	137,60	133,52	16	2,79	QCT06B3-044

Z	De [mm]	Dp [mm]	d3 [mm]	W [kg]	Part number
45	140,70	136,55	16	2,92	QCT06B3-045
46	143,70	139,58	16	3,05	QCT06B3-046
47	146,70	142,61	16	3,18	QCT06B3-047
48	149,70	145,64	16	3,32	QCT06B3-048
49	152,70	148,66	16	3,46	QCT06B3-049
50	155,70	151,69	16	3,61	QCT06B3-050
51	158,70	154,72	20	3,73	QCT06B3-051
52	161,80	157,75	20	3,88	QCT06B3-052
53	164,80	160,78	20	4,04	QCT06B3-053
54	167,80	163,82	20	4,19	QCT06B3-054
55	170,80	166,85	20	4,35	QCT06B3-055
56	173,80	169,88	20	4,52	QCT06B3-056
57	176,90	172,91	20	4,68	QCT06B3-057
58	179,90	175,93	20	4,85	QCT06B3-058
59	183,00	178,96	20	5,02	QCT06B3-059
60	186,00	181,99	20	5,19	QCT06B3-060
62	192,10	188,06	20	5,55	QCT06B3-062
64	198,20	194,12	20	5,92	QCT06B3-064
65	201,60	197,15	20	6,11	QCT06B3-065
66	204,60	200,18	25	6,26	QCT06B3-066
68	210,70	206,24	25	6,65	QCT06B3-068
70	216,70	212,30	25	7,05	QCT06B3-070
72	222,80	218,37	25	7,47	QCT06B3-072
75	231,90	227,46	25	8,11	QCT06B3-075
76	234,90	230,49	25	8,33	QCT06B3-076
78	241,00	236,55	25	8,78	QCT06B3-078
80	247,10	242,61	25	9,24	QCT06B3-080
85	262,20	257,77	25	10,45	QCT06B3-085
90	277,40	272,93	25	11,73	QCT06B3-090
95	292,50	288,08	25	13,08	QCT06B3-095
100	307,70	303,25	25	14,50	QCT06B3-100
110	338,00	333,55	25	17,57	QCT06B3-110
114	349,50	345,68	25	18,88	QCT06B3-114
120	368,30	363,86	25	20,93	QCT06B3-120
125	383,50	379,02	25	22,71	QCT06B3-125

Material: C45 (Fe360B with $Z \geq 41$)

De External diameter mm
 Dp Pitch diameter mm
 W Weight kg

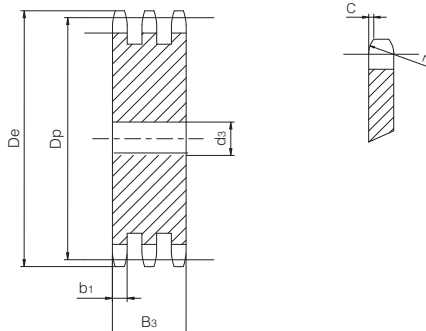
Triplex Plate Wheel

for chain according to DIN 8187 - ISO/R 606



ISO 08B-3 Pitch 1/2" x 5/16"

PLATE WHEEL	[mm]
Tooth radius r_3	13
Radius width C	1,3
Tooth width b_1	7
Tooth width B_3	34,9
CHAIN	[mm]
Pitch	12,7
Internal width	7,75
Roller \varnothing	8,51



Z	De [mm]	Dp [mm]	d3 [mm]	W [kg]	Part number
8	37,00	33,18	10	0,21	QCT08B3-008
9	41,00	37,13	10	0,27	QCT08B3-009
10	45,20	41,10	10	0,34	QCT08B3-010
11	48,70	45,07	12	0,40	QCT08B3-011
12	53,00	49,07	12	0,49	QCT08B3-012
13	57,40	53,06	12	0,57	QCT08B3-013
14	61,80	57,07	12	0,67	QCT08B3-014
15	65,50	61,09	12	0,77	QCT08B3-015
16	69,50	65,10	16	0,86	QCT08B3-016
17	73,60	69,11	16	0,97	QCT08B3-017
18	77,80	73,14	16	1,10	QCT08B3-018
19	81,70	77,16	16	1,23	QCT08B3-019
20	85,80	81,19	16	1,37	QCT08B3-020
21	89,70	85,22	16	1,51	QCT08B3-021
22	93,80	89,24	16	1,66	QCT08B3-022
23	98,20	93,27	16	1,82	QCT08B3-023
24	101,80	97,29	16	1,99	QCT08B3-024
25	105,80	101,33	16	2,16	QCT08B3-025
26	110,00	105,36	16	2,34	QCT08B3-026
27	114,00	109,40	16	2,53	QCT08B3-027
28	118,00	113,42	16	2,73	QCT08B3-028
29	122,00	117,46	16	2,93	QCT08B3-029
30	126,10	121,50	16	3,14	QCT08B3-030
31	130,20	125,54	20	3,32	QCT08B3-031
32	134,30	129,56	20	3,54	QCT08B3-032
33	138,40	133,60	20	3,77	QCT08B3-033
34	142,60	137,64	20	4,01	QCT08B3-034
35	146,70	141,68	20	4,26	QCT08B3-035
36	151,00	145,72	20	4,51	QCT08B3-036
37	154,60	149,76	20	4,77	QCT08B3-037
38	158,60	153,80	20	5,03	QCT08B3-038
39	162,70	157,83	20	5,30	QCT08B3-039
40	166,80	161,87	20	5,58	QCT08B3-040
41	171,40	165,91	25	5,82	QCT08B3-041
42	175,40	169,94	25	6,11	QCT08B3-042
43	179,70	173,98	25	6,41	QCT08B3-043
44	183,80	178,03	25	6,72	QCT08B3-044
45	188,00	182,07	25	7,04	QCT08B3-045
46	192,10	186,10	25	7,36	QCT08B3-046
47	196,20	190,14	25	7,69	QCT08B3-047

Z	De [mm]	Dp [mm]	d3 [mm]	W [kg]	Part number
48	200,30	194,18	25	8,02	QCT08B3-048
49	204,30	198,22	25	8,37	QCT08B3-049
50	208,30	202,26	25	8,72	QCT08B3-050
51	212,10	206,30	25	9,08	QCT08B3-051
52	216,10	210,34	25	9,44	QCT08B3-052
53	220,20	214,37	25	9,81	QCT08B3-053
54	224,10	218,43	25	10,19	QCT08B3-054
55	228,10	222,46	25	10,58	QCT08B3-055
56	232,20	226,50	25	10,97	QCT08B3-056
57	236,40	230,54	25	11,37	QCT08B3-057
58	240,50	234,58	25	11,78	QCT08B3-058
59	244,50	238,62	25	12,19	QCT08B3-059
60	248,60	242,66	25	12,61	QCT08B3-060
62	256,90	250,74	25	13,47	QCT08B3-062
64	265,10	258,80	25	14,36	QCT08B3-064
65	269,00	262,86	25	14,82	QCT08B3-065
66	273,00	266,91	25	15,29	QCT08B3-066
68	281,00	274,99	25	16,23	QCT08B3-068
70	289,00	283,07	25	17,21	QCT08B3-070
72	297,20	291,15	25	18,22	QCT08B3-072
75	309,20	303,28	25	19,78	QCT08B3-075
76	313,30	307,32	25	20,31	QCT08B3-076
78	321,40	315,40	25	21,40	QCT08B3-078
80	329,40	323,49	25	22,52	QCT08B3-080
85	349,00	343,69	25	25,44	QCT08B3-085
90	369,90	363,90	25	28,53	QCT08B3-090
95	390,10	384,11	25	31,81	QCT08B3-095
100	410,30	404,32	25	35,26	QCT08B3-100
110	450,70	444,74	25	42,69	QCT08B3-110
114	466,90	460,91	25	45,86	QCT08B3-114
120	491,20	485,16	25	50,83	QCT08B3-120
125	511,30	505,37	25	55,16	QCT08B3-125

Material: C45 (Fe360B with Z ≥ 41)

De External diameter mm
 Dp Pitch diameter mm
 W Weight kg

Triplex Plate Wheel

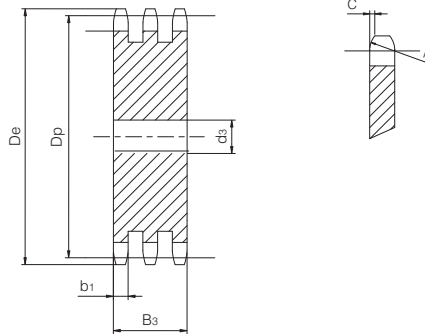
for chain according to DIN 8187 - ISO/R 606

ISO 10B-3

Pitch 5/8" x 3/8"



PLATE WHEEL	[mm]
Tooth radius r_3	16
Radius width C	1,6
Tooth width b_1	9
Tooth width B_3	42,1
CHAIN	[mm]
Pitch	15,875
Internal width	9,65
Roller \varnothing	10,16



Z	De [mm]	Dp [mm]	d3 [mm]	W [kg]	Part number
8	47,00	41,48	12	0,41	QCT10B3-008
9	52,60	46,42	12	0,53	QCT10B3-009
10	57,50	51,37	12	0,65	QCT10B3-010
11	63,00	56,34	12	0,79	QCT10B3-011
12	68,00	61,34	12	0,95	QCT10B3-012
13	73,00	66,32	12	1,11	QCT10B3-013
14	78,00	71,34	12	1,29	QCT10B3-014
15	83,00	76,36	12	1,49	QCT10B3-015
16	88,00	81,37	16	1,66	QCT10B3-016
17	93,00	86,39	16	1,88	QCT10B3-017
18	98,30	91,42	16	2,12	QCT10B3-018
19	103,30	96,45	16	2,36	QCT10B3-019
20	108,40	101,49	16	2,62	QCT10B3-020
21	113,40	106,52	16	2,90	QCT10B3-021
22	118,00	111,55	16	3,18	QCT10B3-022
23	123,50	116,58	16	3,48	QCT10B3-023
24	128,30	121,62	16	3,80	QCT10B3-024
25	134,00	126,66	16	4,12	QCT10B3-025
26	139,00	131,70	20	4,43	QCT10B3-026
27	144,00	136,75	20	4,78	QCT10B3-027
28	148,70	141,78	20	5,15	QCT10B3-028
29	153,80	146,83	20	5,53	QCT10B3-029
30	158,80	151,87	20	5,92	QCT10B3-030
31	163,90	156,92	20	6,33	QCT10B3-031
32	168,90	161,95	20	6,75	QCT10B3-032
33	174,50	167,00	20	7,18	QCT10B3-033
34	179,00	172,05	20	7,63	QCT10B3-034
35	184,10	177,10	20	8,09	QCT10B3-035
36	189,10	182,15	25	8,50	QCT10B3-036
37	194,20	187,20	25	8,99	QCT10B3-037
38	199,20	192,24	25	9,49	QCT10B3-038
39	204,20	197,29	25	10,00	QCT10B3-039
40	209,30	202,34	25	10,53	QCT10B3-040
41	214,80	207,38	25	11,07	QCT10B3-041
42	219,90	212,43	25	11,62	QCT10B3-042
43	224,90	217,48	25	12,19	QCT10B3-043
44	230,00	222,53	25	12,77	QCT10B3-044
45	235,00	227,58	25	13,37	QCT10B3-045
46	240,10	232,63	25	13,97	QCT10B3-046
47	245,10	237,68	25	14,59	QCT10B3-047

Z	De [mm]	Dp [mm]	d3 [mm]	W [kg]	Part number
48	250,20	242,73	25	15,23	QCT10B3-048
49	255,20	247,78	25	15,87	QCT10B3-049
50	260,30	252,82	25	16,53	QCT10B3-050
51	265,30	257,87	25	17,21	QCT10B3-051
52	270,40	262,92	25	17,89	QCT10B3-052
53	275,40	267,97	25	18,59	QCT10B3-053
54	280,50	273,03	25	19,31	QCT10B3-054
55	285,50	278,08	25	20,04	QCT10B3-055
56	290,60	283,13	25	20,78	QCT10B3-056
57	296,00	288,18	25	21,53	QCT10B3-057
58	300,70	293,23	25	22,30	QCT10B3-058
59	305,70	298,28	25	23,08	QCT10B3-059
60	310,80	303,33	25	23,87	QCT10B3-060
62	321,40	313,43	30	25,43	QCT10B3-062
64	331,50	323,53	30	27,11	QCT10B3-064
65	336,50	328,58	30	27,97	QCT10B3-065
66	341,60	333,64	30	28,84	QCT10B3-066
68	351,70	343,74	30	30,63	QCT10B3-068
70	361,80	353,84	30	32,47	QCT10B3-070
72	371,90	363,94	30	34,36	QCT10B3-072
75	387,10	379,10	30	37,31	QCT10B3-075
76	392,10	384,15	30	38,31	QCT10B3-076
78	402,20	394,25	30	40,37	QCT10B3-078
80	412,30	404,36	30	42,48	QCT10B3-080
85	437,60	429,62	30	47,98	QCT10B3-085
90	462,80	454,88	30	53,81	QCT10B3-090
95	488,50	480,14	30	59,98	QCT10B3-095
100	513,40	505,40	30	66,49	QCT10B3-100
110	563,90	555,92	30	80,49	QCT10B3-110
114	584,10	576,13	30	86,47	QCT10B3-114
120	614,40	606,45	30	95,84	QCT10B3-120
125	639,70	631,51	30	103,94	QCT10B3-125

Material: C45 (Fe360B with Z ≥ 41)

De External diameter mm
 Dp Pitch diameter mm
 W Weight kg

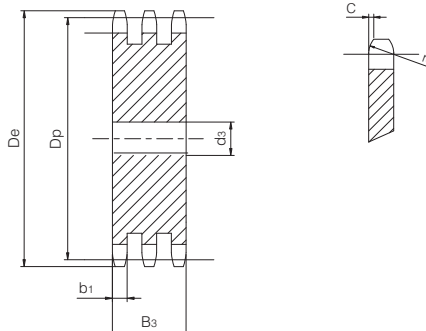
Triplex Plate Wheel

for chain according to DIN 8187 - ISO/R 606



ISO 12B-3 Pitch 3/4" x 7/16"

PLATE WHEEL	[mm]
Tooth radius r_3	19
Radius width C	2
Tooth width b_1	10,8
Tooth width B_3	49,8
CHAIN	[mm]
Pitch	19,05
Internal width	11,68
Roller ϕ	12,07



Z	De [mm]	Dp [mm]	d3 [mm]	W [kg]	Part number
8	57,30	49,78	12	0,72	QCT12B3-008
9	62,00	55,70	12	0,91	QCT12B3-009
10	69,00	61,64	12	1,13	QCT12B3-010
11	75,00	67,61	16	1,33	QCT12B3-011
12	81,50	73,60	16	1,59	QCT12B3-012
13	87,50	79,59	16	1,88	QCT12B3-013
14	93,60	85,61	16	2,19	QCT12B3-014
15	99,80	91,63	16	2,52	QCT12B3-015
16	105,50	97,65	16	2,87	QCT12B3-016
17	111,50	103,67	16	3,24	QCT12B3-017
18	118,00	109,71	16	3,64	QCT12B3-018
19	124,20	115,75	16	4,06	QCT12B3-019
20	129,70	121,78	16	4,50	QCT12B3-020
21	136,00	127,82	20	4,92	QCT12B3-021
22	141,00	133,86	20	5,41	QCT12B3-022
23	149,00	139,90	20	5,92	QCT12B3-023
24	153,90	145,94	20	6,46	QCT12B3-024
25	160,00	152,00	20	7,02	QCT12B3-025
26	165,90	158,04	20	7,59	QCT12B3-026
27	172,30	164,09	20	8,20	QCT12B3-027
28	178,00	170,13	20	8,82	QCT12B3-028
29	184,10	176,19	20	9,47	QCT12B3-029
30	190,50	182,25	20	10,14	QCT12B3-030
31	196,30	188,31	25	10,76	QCT12B3-031
32	203,30	194,35	25	11,48	QCT12B3-032
33	209,30	200,40	25	12,22	QCT12B3-033
34	214,60	206,46	25	12,98	QCT12B3-034
35	221,00	212,52	25	13,76	QCT12B3-035
36	226,80	218,58	25	14,57	QCT12B3-036
37	232,90	224,64	25	15,40	QCT12B3-037
38	239,00	230,69	25	16,25	QCT12B3-038
39	245,10	236,75	25	17,13	QCT12B3-039
40	251,30	242,81	25	18,02	QCT12B3-040
41	257,30	248,86	25	18,94	QCT12B3-041
42	264,50	254,92	25	19,89	QCT12B3-042
43	270,50	260,98	25	20,85	QCT12B3-043
44	276,50	267,03	25	21,84	QCT12B3-044
45	282,50	273,09	25	22,85	QCT12B3-045
46	287,90	279,15	25	23,88	QCT12B3-046
47	294,00	285,21	25	24,94	QCT12B3-047

Z	De [mm]	Dp [mm]	d3 [mm]	W [kg]	Part number
48	300,10	291,27	25	26,02	QCT12B3-048
49	306,20	297,33	25	27,12	QCT12B3-049
50	312,30	303,39	25	28,25	QCT12B3-050
51	318,40	309,45	25	29,40	QCT12B3-051
52	324,50	315,51	25	30,57	QCT12B3-052
53	330,50	321,57	25	31,76	QCT12B3-053
54	336,60	327,63	25	32,97	QCT12B3-054
55	342,70	333,69	25	34,21	QCT12B3-055
56	348,70	339,75	30	35,39	QCT12B3-056
57	355,40	345,81	30	36,67	QCT12B3-057
58	361,50	351,87	30	37,98	QCT12B3-058
59	367,50	357,93	30	39,31	QCT12B3-059
60	373,00	363,99	30	40,66	QCT12B3-060
62	385,10	376,12	30	43,43	QCT12B3-062
64	397,20	388,24	30	46,30	QCT12B3-064
65	403,20	394,30	30	47,76	QCT12B3-065
66	409,30	400,36	30	49,25	QCT12B3-066
68	421,40	412,49	30	52,30	QCT12B3-068
70	433,60	424,61	30	55,43	QCT12B3-070
72	447,00	436,73	30	58,66	QCT12B3-072
75	463,90	454,92	30	63,67	QCT12B3-075
76	469,90	460,98	30	65,38	QCT12B3-076
78	482,10	473,10	30	68,88	QCT12B3-078
80	494,20	485,23	30	72,47	QCT12B3-080
85	524,50	515,54	30	81,85	QCT12B3-085
90	554,80	545,85	30	91,79	QCT12B3-090
95	585,10	576,17	30	102,30	QCT12B3-095
100	615,40	606,48	30	113,37	QCT12B3-100
110	676,10	667,11	30	137,23	QCT12B3-110
114	700,60	691,36	30	147,41	QCT12B3-114
120	736,70	727,74	30	163,37	QCT12B3-120
125	767,00	758,06	30	177,29	QCT12B3-125

Material: C45 (Fe360B with Z ≥ 41)

De External diameter mm
 Dp Pitch diameter mm
 W Weight kg

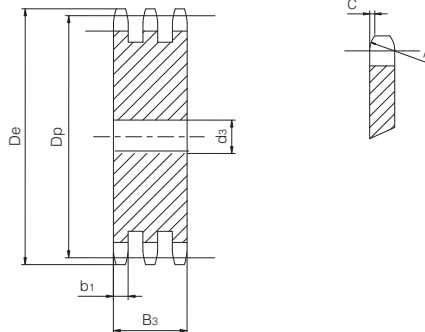
Triplex Plate Wheel

for chain according to DIN 8187 - ISO/R 606

ISO 16B-3 Pitch 1" x 17,02 mm



PLATE WHEEL	[mm]
Tooth radius r_3	26
Radius width C	2,5
Tooth width b_1	15,8
Tooth width B_3	79,6
CHAIN	[mm]
Pitch	25,4
Internal width	17,02
Roller \varnothing	15,88



Z	De [mm]	Dp [mm]	d3 [mm]	W [kg]	Part number
8	77,00	66,37	16	2,05	QCT16B3-008
9	85,00	74,27	16	2,60	QCT16B3-009
10	93,00	82,19	16	3,21	QCT16B3-010
11	101,50	90,14	20	3,82	QCT16B3-011
12	109,00	98,14	20	4,56	QCT16B3-012
13	117,00	106,12	20	5,36	QCT16B3-013
14	125,00	114,15	20	6,24	QCT16B3-014
15	133,00	122,17	20	7,17	QCT16B3-015
16	141,00	130,20	25	8,06	QCT16B3-016
17	149,00	138,22	25	9,13	QCT16B3-017
18	157,00	146,28	25	10,26	QCT16B3-018
19	165,20	154,33	25	11,45	QCT16B3-019
20	173,20	162,38	25	12,71	QCT16B3-020
21	181,20	170,43	25	14,04	QCT16B3-021
22	189,30	178,48	25	15,42	QCT16B3-022
23	197,50	186,53	25	16,88	QCT16B3-023
24	205,50	194,59	25	18,39	QCT16B3-024
25	213,50	202,66	25	19,98	QCT16B3-025
26	221,60	210,72	30	21,49	QCT16B3-026
27	229,60	218,79	30	23,20	QCT16B3-027
28	237,70	226,85	30	24,97	QCT16B3-028
29	245,80	234,92	30	26,81	QCT16B3-029
30	254,00	243,00	30	28,72	QCT16B3-030
31	262,00	251,08	30	30,69	QCT16B3-031
32	270,00	259,13	30	32,72	QCT16B3-032
33	278,50	267,21	30	34,82	QCT16B3-033
34	287,00	275,28	30	36,98	QCT16B3-034
35	296,20	283,36	30	39,21	QCT16B3-035
36	304,60	291,44	30	41,51	QCT16B3-036
37	312,60	299,51	30	43,86	QCT16B3-037
38	320,70	307,59	30	46,28	QCT16B3-038
39	328,80	315,67	30	48,77	QCT16B3-039
40	336,90	323,75	30	51,32	QCT16B3-040
42	353,00	339,89	30	56,61	QCT16B3-042
44	369,10	356,05	30	62,17	QCT16B3-044
45	377,10	364,12	30	65,04	QCT16B3-045
46	385,20	372,20	30	67,98	QCT16B3-046
48	401,30	388,36	30	74,05	QCT16B3-048
50	417,40	404,52	30	80,37	QCT16B3-050
51	425,50	412,60	40	83,29	QCT16B3-051

Z	De [mm]	Dp [mm]	d3 [mm]	W [kg]	Part number
52	433,60	420,68	40	86,61	QCT16B3-052
55	457,90	444,92	40	96,98	QCT16B3-055
57	474,00	461,08	40	104,21	QCT16B3-057
60	498,30	485,33	40	115,54	QCT16B3-060
65	538,80	525,73	40	135,72	QCT16B3-065
68	562,90	549,98	40	148,60	QCT16B3-068
70	579,20	566,15	40	157,51	QCT16B3-070
72	595,40	582,31	40	166,68	QCT16B3-072
75	619,70	606,56	40	180,92	QCT16B3-075
76	627,00	614,64	40	185,79	QCT16B3-076
80	660,00	646,97	40	205,94	QCT16B3-080
85	699,90	687,39	40	232,58	QCT16B3-085
90	740,30	727,80	40	260,82	QCT16B3-090
95	781,10	768,22	40	290,68	QCT16B3-095
100	821,10	808,64	40	322,16	QCT16B3-100
110	902,00	889,48	40	389,96	QCT16B3-110
114	934,30	921,81	40	418,88	QCT16B3-114
120	982,80	970,32	40	464,22	QCT16B3-120
125	1023,30	1010,73	40	503,76	QCT16B3-125

Material: C45 (Fe360B with Z ≥ 21)

De External diameter mm
 Dp Pitch diameter mm
 W Weight kg

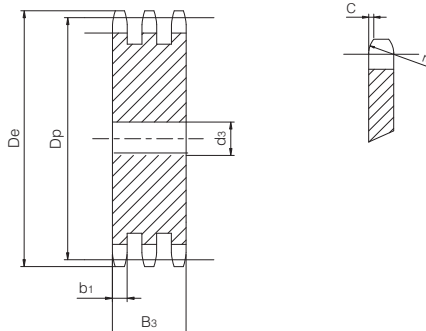
Triplex Plate Wheel

for chain according to DIN 8187 - ISO/R 606



ISO 20B-3 Pitch 1" 1/4 x 3/4"

PLATE WHEEL	[mm]
Tooth radius r_3	32
Radius width C	3,5
Tooth width b_1	18,2
Tooth width B_3	91
CHAIN	[mm]
Pitch	31,75
Internal width	19,56
Roller \varnothing	19,05



Z	De [mm]	Dp [mm]	d3 [mm]	W [kg]	Part number
8	98,10	82,96	20	3,66	QCT20B3-008
9	108,00	92,84	20	4,64	QCT20B3-009
10	117,90	102,74	20	5,73	QCT20B3-010
11	127,80	112,68	20	6,94	QCT20B3-011
12	137,80	122,68	20	8,27	QCT20B3-012
13	147,80	132,65	20	9,71	QCT20B3-013
14	157,80	142,68	20	11,27	QCT20B3-014
15	167,90	152,72	20	12,94	QCT20B3-015
16	177,90	162,75	25	14,60	QCT20B3-016
17	187,90	172,78	25	16,50	QCT20B3-017
18	198,00	182,85	25	18,52	QCT20B3-018
19	208,10	192,91	25	20,66	QCT20B3-019
20	218,10	202,98	25	22,91	QCT20B3-020
21	228,20	213,04	25	25,27	QCT20B3-021
22	238,30	223,11	25	27,75	QCT20B3-022
23	248,30	233,17	25	30,34	QCT20B3-023
24	258,40	243,23	25	33,05	QCT20B3-024
25	268,50	253,33	25	35,88	QCT20B3-025
26	278,60	263,40	25	38,82	QCT20B3-026
27	288,60	273,49	25	41,88	QCT20B3-027
28	298,70	283,56	25	45,05	QCT20B3-028
29	308,80	293,65	25	48,33	QCT20B3-029
30	318,90	303,75	25	51,74	QCT20B3-030
31	329,00	313,85	30	55,11	QCT20B3-031
32	339,10	323,91	30	58,73	QCT20B3-032
33	349,20	334,01	30	62,48	QCT20B3-033
34	359,30	344,10	30	66,35	QCT20B3-034
35	369,40	354,20	30	70,33	QCT20B3-035
36	379,50	364,30	30	74,43	QCT20B3-036
37	389,50	374,39	30	78,63	QCT20B3-037
38	399,60	384,49	30	82,96	QCT20B3-038
39	409,70	394,59	30	87,40	QCT20B3-039
40	419,80	404,69	30	91,96	QCT20B3-040
42	440,00	424,86	40	101,01	QCT20B3-042
45	470,30	455,17	40	116,07	QCT20B3-045
46	480,40	465,25	40	121,31	QCT20B3-046
48	500,60	485,45	40	132,16	QCT20B3-048
50	520,80	505,65	40	143,46	QCT20B3-050
52	541,00	525,85	40	155,23	QCT20B3-052
55	571,30	556,15	40	173,74	QCT20B3-055

Z	De [mm]	Dp [mm]	d3 [mm]	W [kg]	Part number
57	591,50	576,35	40	186,65	QCT20B3-057
60	621,80	606,66	40	206,90	QCT20B3-060
65	672,30	657,17	40	242,94	QCT20B3-065
70	722,80	707,68	40	281,87	QCT20B3-070
76	783,50	768,32	40	332,40	QCT20B3-076
80	823,90	808,71	40	368,37	QCT20B3-080
95	975,20	960,28	40	519,76	QCT20B3-095
114	1167,40	1152,26	40	748,75	QCT20B3-114

Material: C45 (Fe360B with Z ≥ 18)

De External diameter mm
 Dp Pitch diameter mm
 W Weight kg

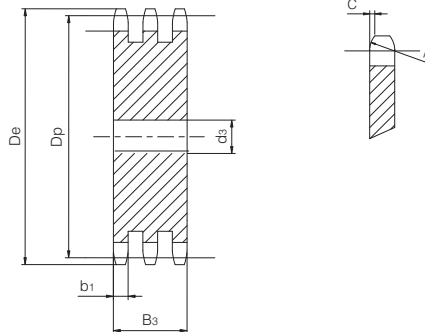
Triplex Plate Wheel

for chain according to DIN 8187 - ISO/R 606



ISO 24B-3 Pitch 1" 1/2 x 1"

PLATE WHEEL	[mm]
Tooth radius r_3	38
Radius width C	4
Tooth width b_1	23,6
Tooth width B_3	120,3
CHAIN	[mm]
Pitch	38,1
Internal width	25,4
Roller \varnothing	25,4



Z	De [mm]	Dp [mm]	d3 [mm]	W [kg]	Part number
8	115,00	99,55	25	6,93	QCT24B3-008
9	126,40	111,40	25	8,80	QCT24B3-009
10	138,00	123,29	25	10,88	QCT24B3-010
11	150,00	135,21	25	13,18	QCT24B3-011
12	162,00	147,22	25	15,71	QCT24B3-012
13	174,20	159,18	25	18,45	QCT24B3-013
14	186,20	171,22	25	21,42	QCT24B3-014
15	198,20	183,26	25	24,60	QCT24B3-015
16	210,30	195,30	25	28,00	QCT24B3-016
17	222,30	207,34	25	31,62	QCT24B3-017
18	234,30	219,42	25	35,47	QCT24B3-018
19	246,50	231,49	25	39,53	QCT24B3-019
20	258,60	243,57	25	43,82	QCT24B3-020
21	270,60	255,65	30	48,11	QCT24B3-021
22	282,70	267,73	30	52,83	QCT24B3-022
23	294,80	279,80	30	57,76	QCT24B3-023
24	306,80	291,88	30	62,92	QCT24B3-024
25	319,00	304,00	30	68,31	QCT24B3-025
26	331,00	316,08	30	73,90	QCT24B3-026
27	343,20	328,19	30	79,72	QCT24B3-027
28	355,20	340,27	30	85,75	QCT24B3-028
29	367,30	352,38	30	92,01	QCT24B3-029
30	379,50	364,50	40	97,98	QCT24B3-030
31	391,60	376,62	40	104,68	QCT24B3-031
32	403,70	388,69	40	111,57	QCT24B3-032
33	415,80	400,81	40	118,72	QCT24B3-033
34	427,80	412,93	40	126,08	QCT24B3-034
35	440,00	425,04	40	133,65	QCT24B3-035
36	452,00	437,16	40	141,45	QCT24B3-036
37	464,20	449,27	40	149,47	QCT24B3-037
38	476,20	461,39	40	157,70	QCT24B3-038
39	488,50	473,50	40	166,15	QCT24B3-039
40	500,60	485,62	40	174,83	QCT24B3-040
42	524,70	509,83	40	192,82	QCT24B3-042
45	561,20	546,19	40	221,48	QCT24B3-045
46	573,30	558,30	40	231,46	QCT24B3-046
48	597,40	582,54	40	252,11	QCT24B3-048
50	621,70	606,78	40	273,62	QCT24B3-050
55	682,30	667,40	40	331,28	QCT24B3-055
57	706,50	691,63	40	355,86	QCT24B3-057

Z	De [mm]	Dp [mm]	d3 [mm]	W [kg]	Part number
60	742,80	727,97	40	394,36	QCT24B3-060
65	803,40	788,59	40	462,98	QCT24B3-065
76	936,90	921,98	40	633,30	QCT24B3-076

Material: C45 (Fe360B with Z ≥ 16)

De External diameter mm
 Dp Pitch diameter mm
 W Weight kg

Triplex Plate Wheel

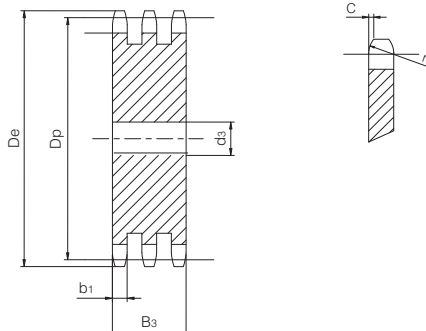
for chain according to DIN 8187 - ISO/R 606



ISO 28B-3

Pitch 1" 3/4 x 1" 1/4

PLATE WHEEL	[mm]
Tooth radius r_3	44
Radius width C	5
Tooth width b_1	28,8
Tooth width B_3	148
CHAIN	[mm]
Pitch	44,45
Internal width	30,99
Roller \varnothing	27,94



Z	De [mm]	Dp [mm]	d3 [mm]	W [kg]	Part number
8	132,00	116,15	25	11,81	QCT28B3-008
9	148,40	129,96	25	14,94	QCT28B3-009
10	162,30	143,85	25	18,43	QCT28B3-010
11	176,30	157,77	30	22,03	QCT28B3-011
12	189,50	171,74	30	26,26	QCT28B3-012
13	204,20	185,74	30	30,85	QCT28B3-013
14	218,20	199,76	30	35,82	QCT28B3-014
15	232,30	213,79	30	41,14	QCT28B3-015
16	246,30	227,84	30	46,84	QCT28B3-016
17	260,00	241,91	30	52,91	QCT28B3-017
18	274,00	255,98	30	59,35	QCT28B3-018
19	289,00	270,06	30	66,15	QCT28B3-019
20	303,00	284,15	30	73,32	QCT28B3-020
21	317,00	298,24	30	80,85	QCT28B3-021
22	331,00	312,34	30	88,76	QCT28B3-022
23	345,00	326,44	30	97,03	QCT28B3-023
24	359,00	340,55	30	105,67	QCT28B3-024
25	373,00	354,66	40	114,04	QCT28B3-025
26	387,00	368,77	40	123,41	QCT28B3-026
27	401,40	382,88	40	133,15	QCT28B3-027
28	416,00	397,00	40	143,26	QCT28B3-028
29	430,00	411,12	40	153,74	QCT28B3-029
30	444,00	425,24	40	164,58	QCT28B3-030
31	458,00	439,37	40	175,80	QCT28B3-031
32	472,00	453,49	40	187,38	QCT28B3-032
33	486,00	467,62	40	199,33	QCT28B3-033
34	500,00	481,75	40	211,65	QCT28B3-034
35	514,00	495,88	40	224,33	QCT28B3-035
36	529,00	510,01	40	237,39	QCT28B3-036
37	543,00	524,14	40	250,81	QCT28B3-037
38	557,00	538,27	40	264,59	QCT28B3-038
39	571,00	552,40	40	278,74	QCT28B3-039
40	585,00	566,54	40	293,27	QCT28B3-040
45	656,00	637,22	40	371,40	QCT28B3-045
50	726,00	707,91	40	458,72	QCT28B3-050
57	825,00	806,89	40	596,40	QCT28B3-057
60	869,00	849,32	40	660,93	QCT28B3-060
76	1095,00	1075,60	40	1060,91	QCT28B3-076

Material: C45 (Fe360B with Z ≥ 13)

De External diameter mm
 Dp Pitch diameter mm
 W Weight kg

Triplex Plate Wheel

Triplex Plate Wheel

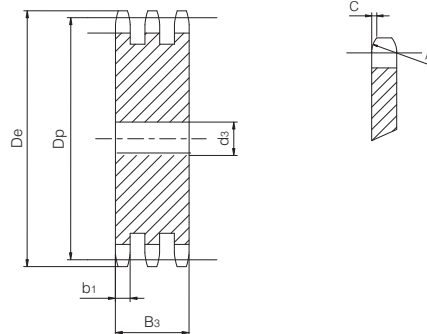
for chain according to DIN 8187 - ISO/R 606

ISO 32B-3

Pitch 2" x 1" 1/4



PLATE WHEEL	[mm]
Tooth radius r_3	51
Radius width C	6
Tooth width b_1	28,8
Tooth width B_3	146
CHAIN	[mm]
Pitch	50,8
Internal width	30,99
Roller \varnothing	29,21



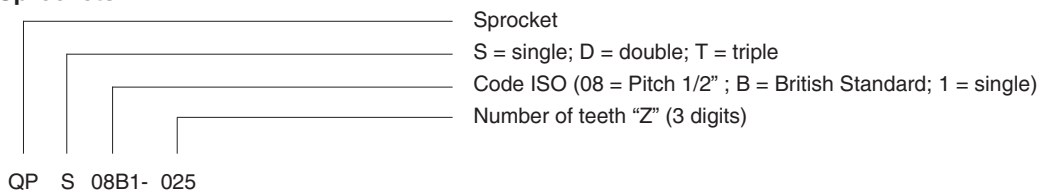
Z	De [mm]	Dp [mm]	d3 [mm]	W [kg]	Part number
8	153,00	132,69	25	15,38	QCT32B3-008
9	169,00	148,54	25	19,42	QCT32B3-009
10	185,00	164,44	25	23,93	QCT32B3-010
11	200,80	180,34	30	28,65	QCT32B3-011
12	216,80	196,29	30	34,09	QCT32B3-012
13	232,80	212,29	30	40,01	QCT32B3-013
14	248,80	228,29	30	46,40	QCT32B3-014
15	264,80	244,30	30	53,25	QCT32B3-015
16	280,90	260,40	30	60,61	QCT32B3-016
17	296,90	276,40	30	68,39	QCT32B3-017
18	313,00	292,55	30	76,71	QCT32B3-018
19	329,10	308,66	30	85,49	QCT32B3-019
20	345,20	324,71	30	94,70	QCT32B3-020
21	361,30	340,82	40	103,78	QCT32B3-021
22	377,50	356,98	40	113,99	QCT32B3-022
23	393,60	373,08	40	124,64	QCT32B3-023
24	409,70	389,18	40	135,76	QCT32B3-024
25	425,80	405,33	40	147,38	QCT32B3-025
26	441,90	421,44	40	159,45	QCT32B3-026
27	458,10	437,59	40	172,01	QCT32B3-027
28	474,20	453,69	40	185,01	QCT32B3-028
30	506,50	486,00	40	212,52	QCT32B3-030
35	589,50	566,72	40	289,49	QCT32B3-035
38	635,50	615,14	40	341,33	QCT32B3-038
40	670,30	647,49	40	378,33	QCT32B3-040
45	751,00	728,25	40	478,98	QCT32B3-045
50	831,80	809,04	40	591,49	QCT32B3-050
57	945,00	922,16	40	768,89	QCT32B3-057
60	993,40	970,65	40	852,03	QCT32B3-060
76	1252,00	1229,30	40	1367,49	QCT32B3-076

Material: C45 (Fe360B with Z ≥ 12)

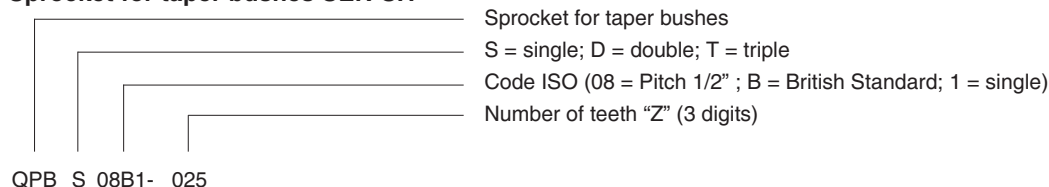
D_e External diameter mm
 D_p Pitch diameter mm
 W Weight kg

SIT chain drive designations

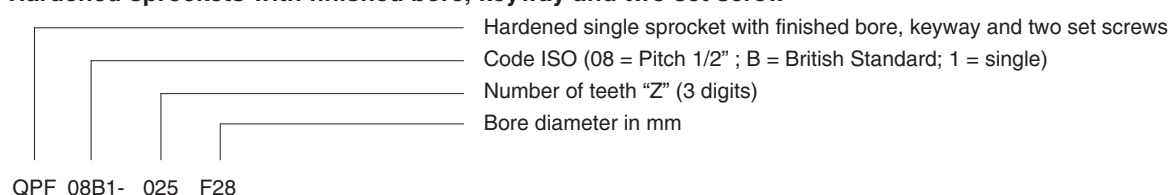
Sprockets



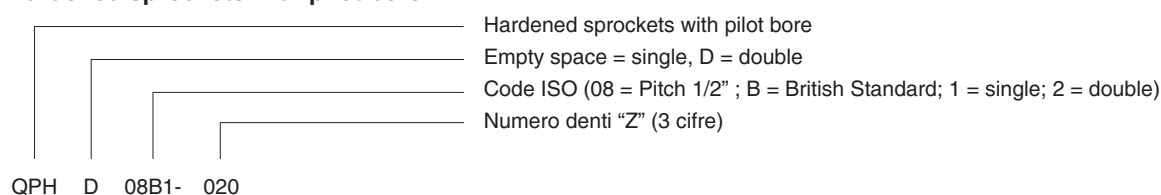
Sprocket for taper bushes SER-SIT®



Hardened sprockets with finished bore, keyway and two set screw



Hardened sprockets with pilot bore



Stainless steel sprockets

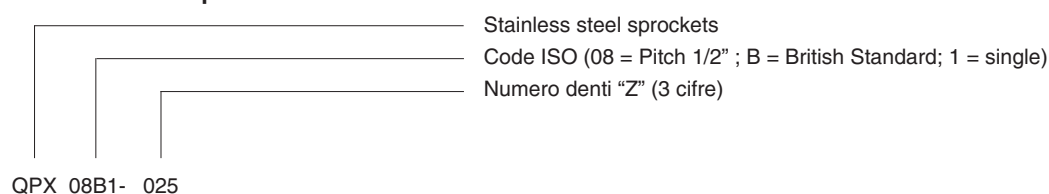
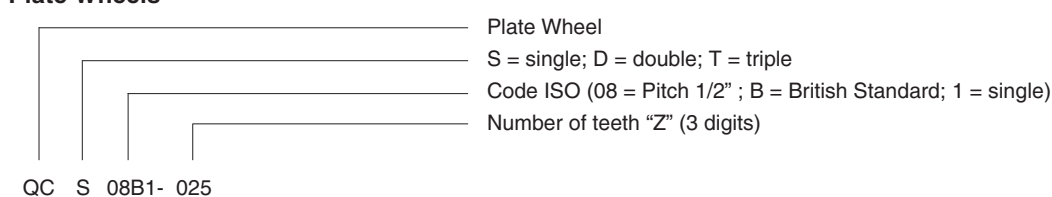
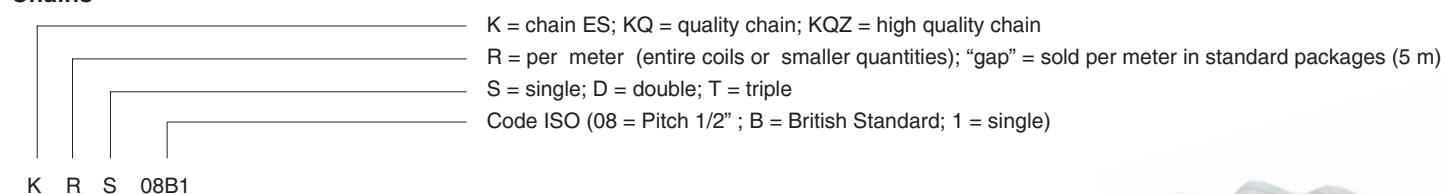


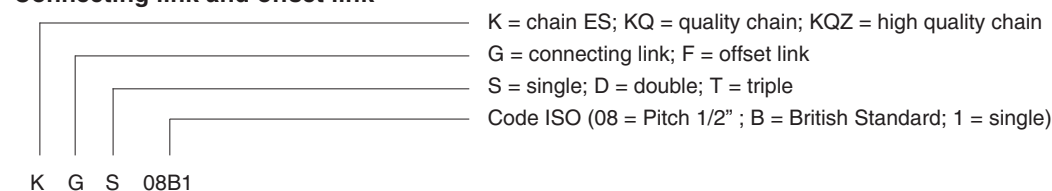
Plate Wheels



Chains



Connecting link and offset link





AUTHORIZED DISTRIBUTOR



SIT S.p.A.

Viale A. Volta, 2

20090 Cusago (MI) - Italy

Tel. +39 02 89144 1

Fax +39 02 89144 293

export@sitspa.it

www.sitspa.com

Factory

Via G. Carminati, 15

24012 Val Brembilla (BG) - Italy

SIT GERMANY

SIT ANTRIEBSELEMENTE GmbH

Rieseler Feld 9 (Gewerbegebiet West)

D - 33034 Brakel

Tel. +49 52 72 39 28 0

Fax +49 52 72 39 28 90

E-mail: info@sit-antriebselemente.de

Web: www.sit-antriebselemente.de

SIT SWITZERLAND

SIT (Schweiz) AG

Lenzbüel 13

CH - 8370 Sirmach

Tel. +41 71 969 50 00

Fax +41 71 969 50 01

E-mail: info@sit-antriebstechnik.ch

Web: www.sit-antriebstechnik.ch

SIT SPAIN

DINAMICA DISTRIBUCIONES S.A.

Ctra. N-II, Km 592,6

E - 08740 S. Andreu De La Barca

(Barcelona)

Tel. +34 93 653 35 00

Fax +34 93 653 35 08

E-mail: dinamica@dinamica.net

Web: www.dinamica.net

SIT FRANCE

FOGEX SAS

215, Rue Henri Barbusse

F - 95100 Argenteuil

Tel. +33 1 34 34 46 00

Fax +33 1 34 34 46 01

E-mail: info@fogex.com

Web: www.fogex.com

SIT USA

S.I.T. INDEVA, Inc.

3630 Green Park Circle

NC - 28217 Charlotte

Tel. +1 704 357 8811

Fax +1 704 357 8866

E-mail: info@sit-indeva.com

Web: www.sit-indeva.com

SIT CHINA

SIT INDEVA (SHANGHAI) LTD.

Building 2, 269 YuanZhong Road

Nanhui Industrial park

Pudong new area

PRC - 201300 Shanghai

Tel. +86 021 5108 2206

Fax +86 021 6486 3511

E-mail: info@sit-shanghai.com

Web: www.sit-shanghai.com

SIT INDIA

SIT PTC INDIA PVT. LTD.

Plot no. 677, s.no. 269/3

Paud Road, Bhugao

Taluka - Mulshi - Pune - 412 115

Maharashtra - India

Tel. +91 9158 5921 11

E-mail: a.nangre@sitspa.com

Web: www.sitspa.com